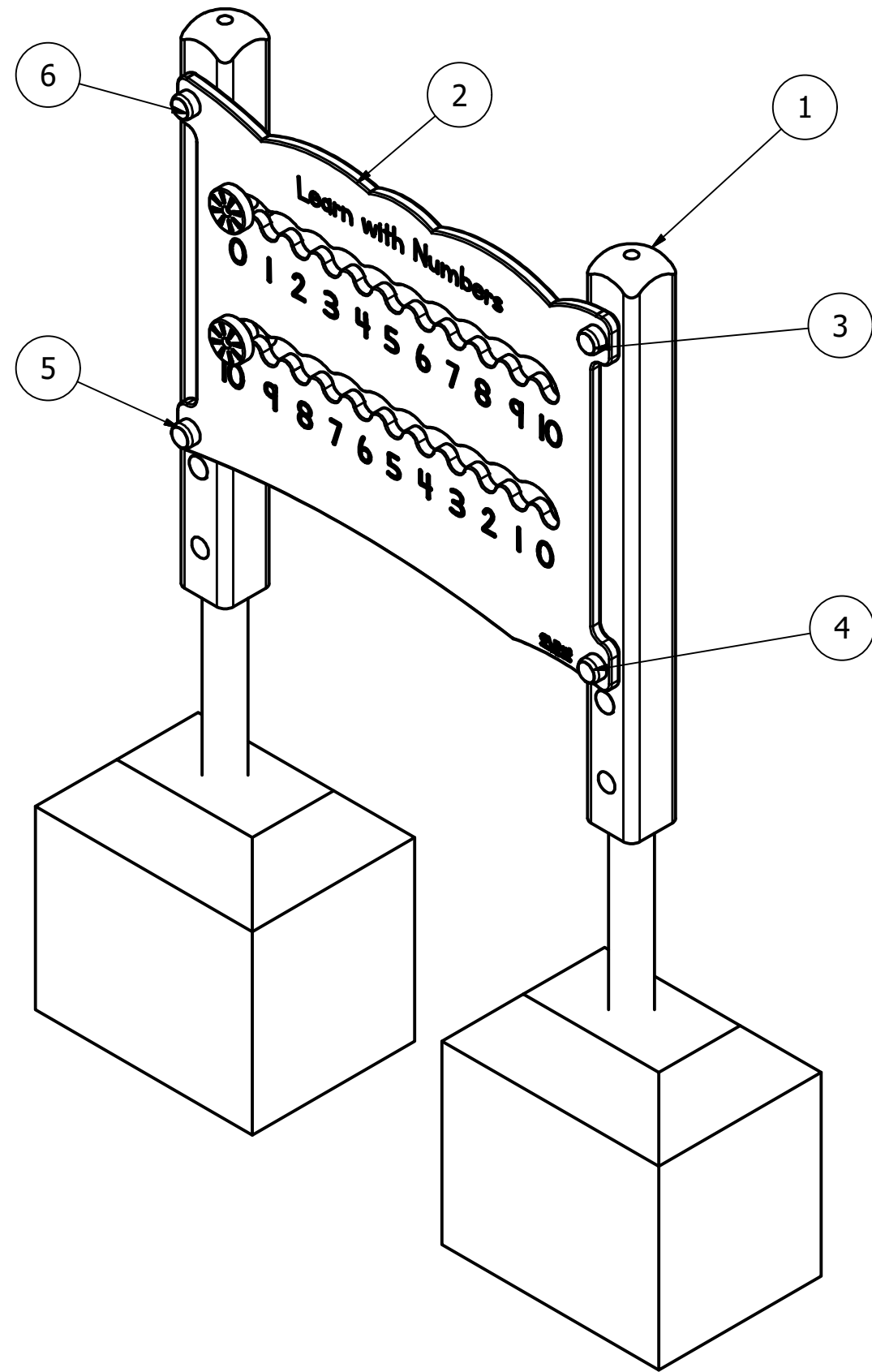
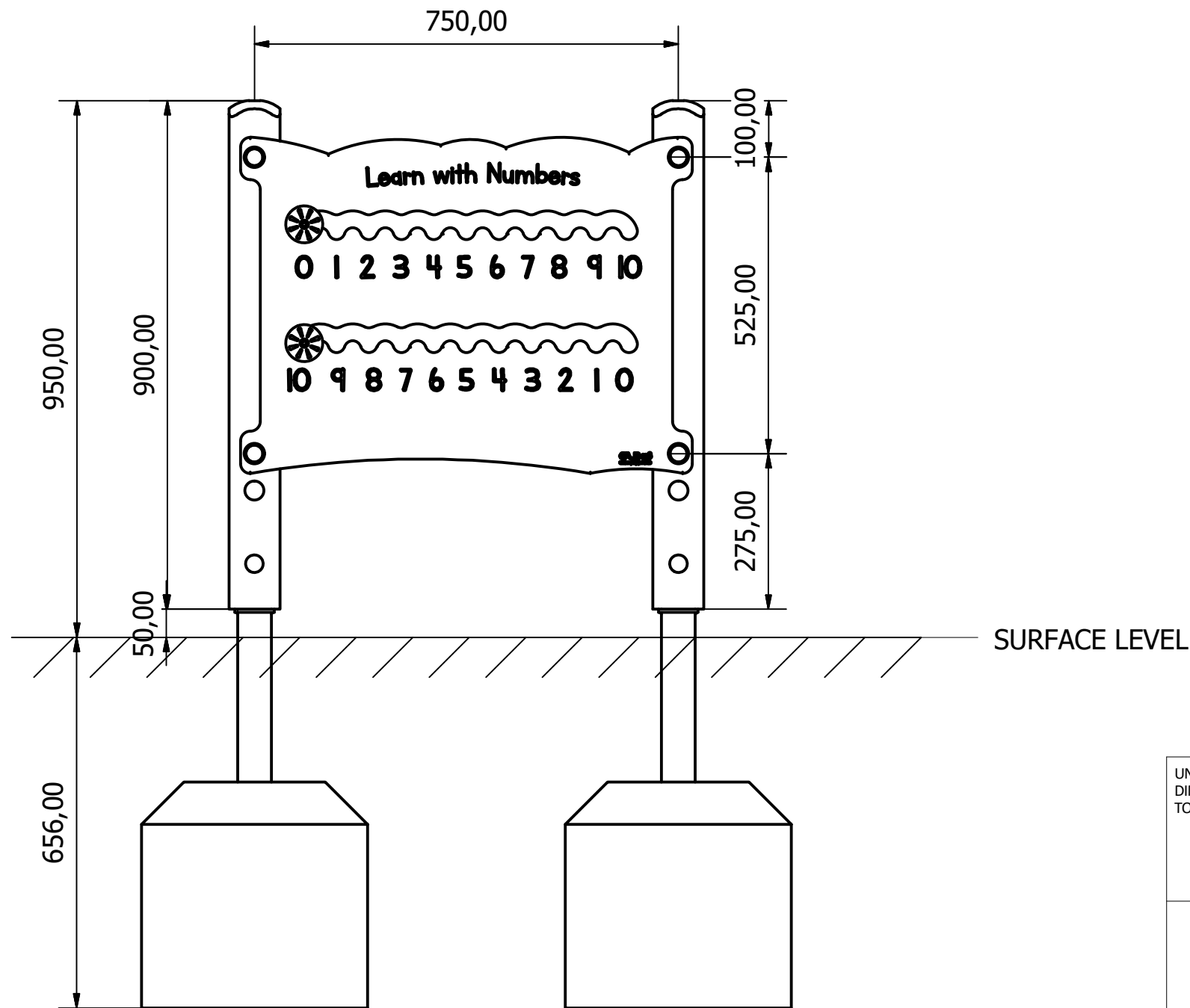


PARTS LIST

ITEM	QTY	PART NUMBER	STOCK NUMBER	DESCRIPTION
1	2	MOD-600-189		POST WITH POST FEET
2	1	MOD-600-065		NUMBERS PLAY PANEL
3	1		COMPLACAP0027	2 PART CAP (YELLOW)
4	1		COMPLACAP0035	2 PART CAP (BLUE)
5	1		COMPLACAP0033	2 PART CAP (GREEN)
6	1		COMPLACAP0009	2 PART CAP (RED)
7	4		COMA2WH8X80	M8 X 80 TORX WASHER HEAD



UNLESS OTHERWISE SPECIFIED:  
DIMENSIONS ARE IN MILLIMETERS  
TOLERANCES:  
LINEAR: ±2MM  
1 DECIMAL PLACE: ±0.5MM  
ANGULAR: ±1°

PROPRIETARY AND CONFIDENTIAL

THE INFORMATION CONTAINED IN THIS DRAWING IS THE SOLE PROPERTY OF FENLAND LEISURE PRODUCTS. ANY REPRODUCTION IN PART OR AS A WHOLE WITHOUT THE WRITTEN PERMISSION OF FENLAND LEISURE PRODUCTS IS PROHIBITED.

Title: PRO-500-080

Product Range: PLAY PANELS

Date: 24/03/2022

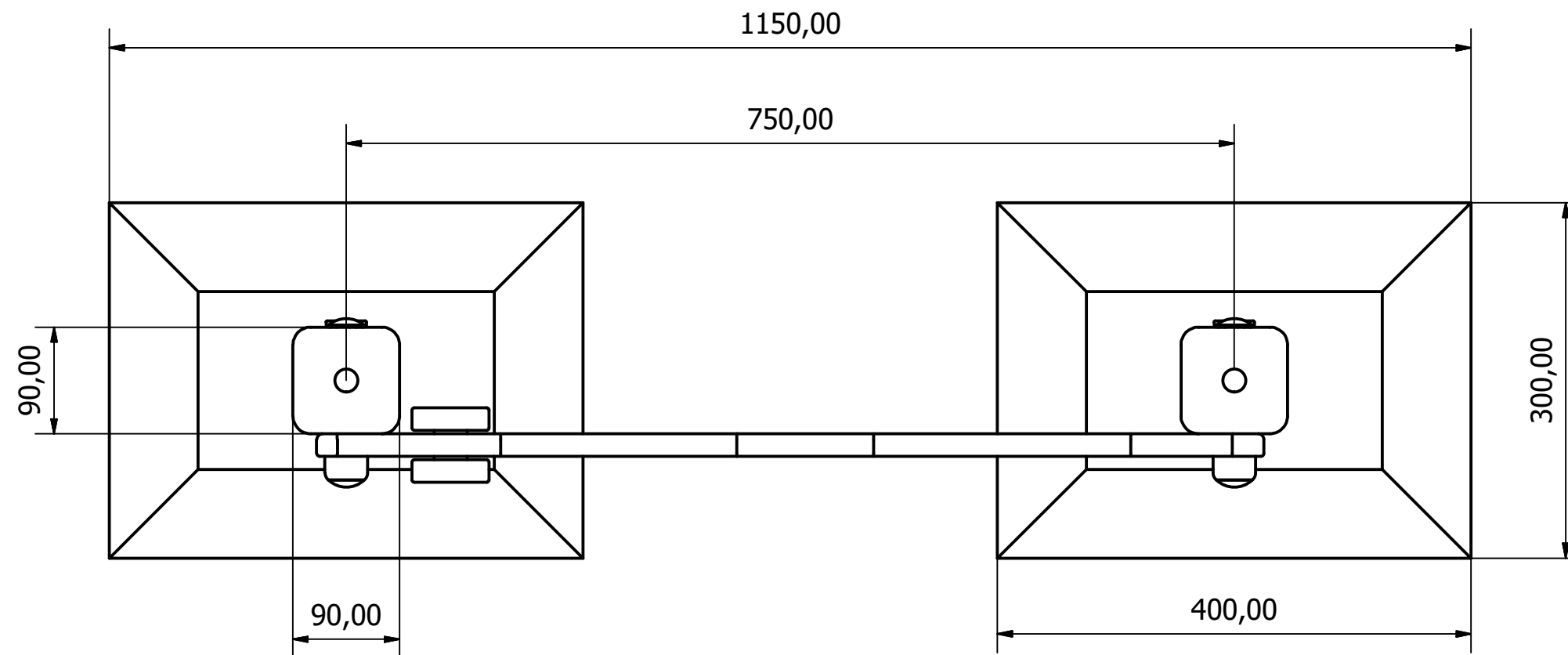
Page:

A3



DO NOT SCALE FROM DRAWING

Tel: 01354 638359 www.onlineplaygrounds.co.uk

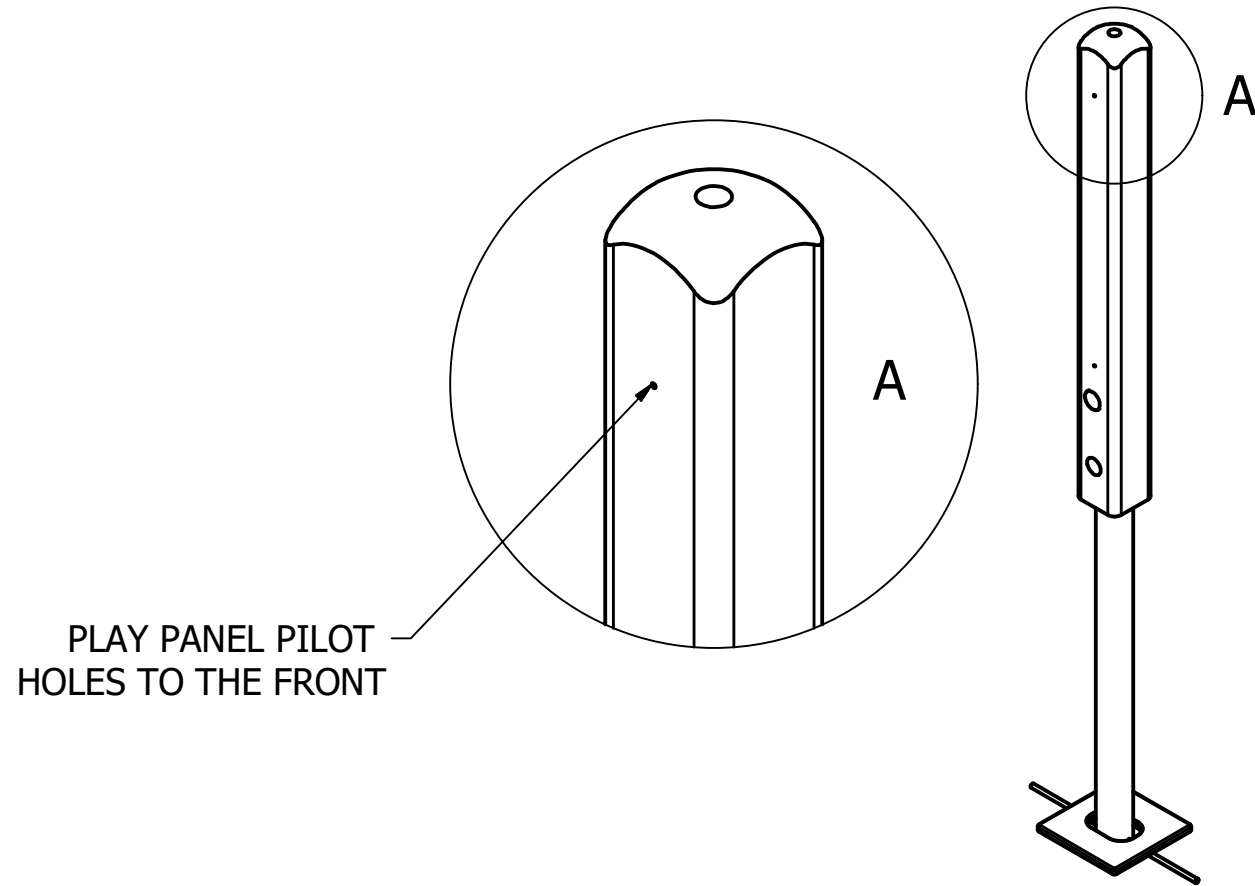


UNLESS OTHERWISE SPECIFIED: DIMENSIONS ARE IN MILLIMETERS TOLERANCES: LINEAR: ±2MM 1 DECIMAL PLACE: ±0.5MM ANGULAR: ±1°	<b>PROPRIETARY AND CONFIDENTIAL</b> THE INFORMATION CONTAINED IN THIS DRAWING IS THE SOLE PROPERTY OF FENLAND LEISURE PRODUCTS. ANY REPRODUCTION IN PART OR AS A WHOLE WITHOUT THE WRITTEN PERMISSION OF FENLAND LEISURE PRODUCTS IS PROHIBITED.	Title: PRO-500-080	
		Product Range: PLAY PANELS	
		Date: 24/03/2022	
		Page: A3	
		DO NOT SCALE FROM DRAWING	
		Tel: 01354 638359 www.onlineplaygrounds.co.uk	

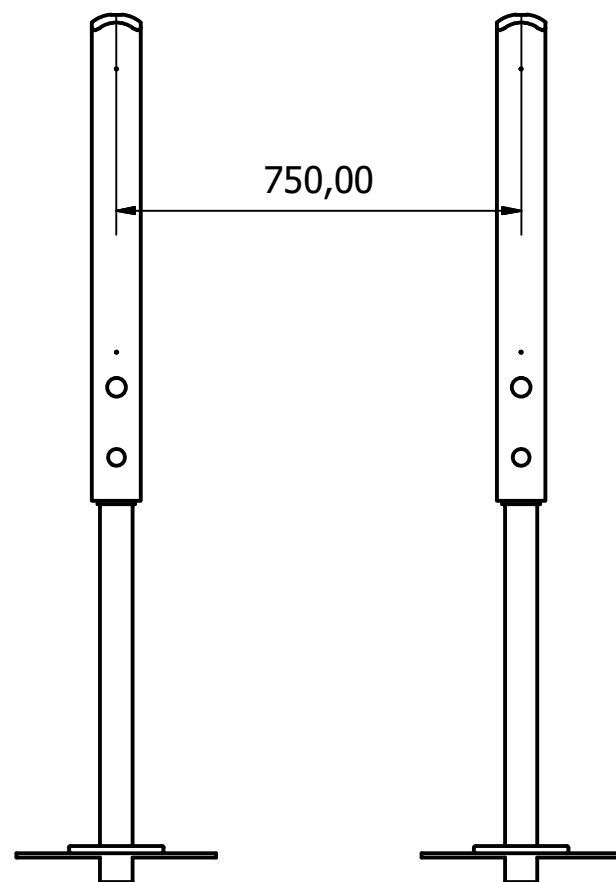
ALL FOUNDATIONS 300 X 400 X 400 DEEP UNLESS OTHERWISE SPECIFIED

NOTE - IF THE UNIT IS DELIVERED FLAT PACK START FROM STEP 1, IF THE IS DELIVERED ASSEMBLED SKIP TO STEP 4.

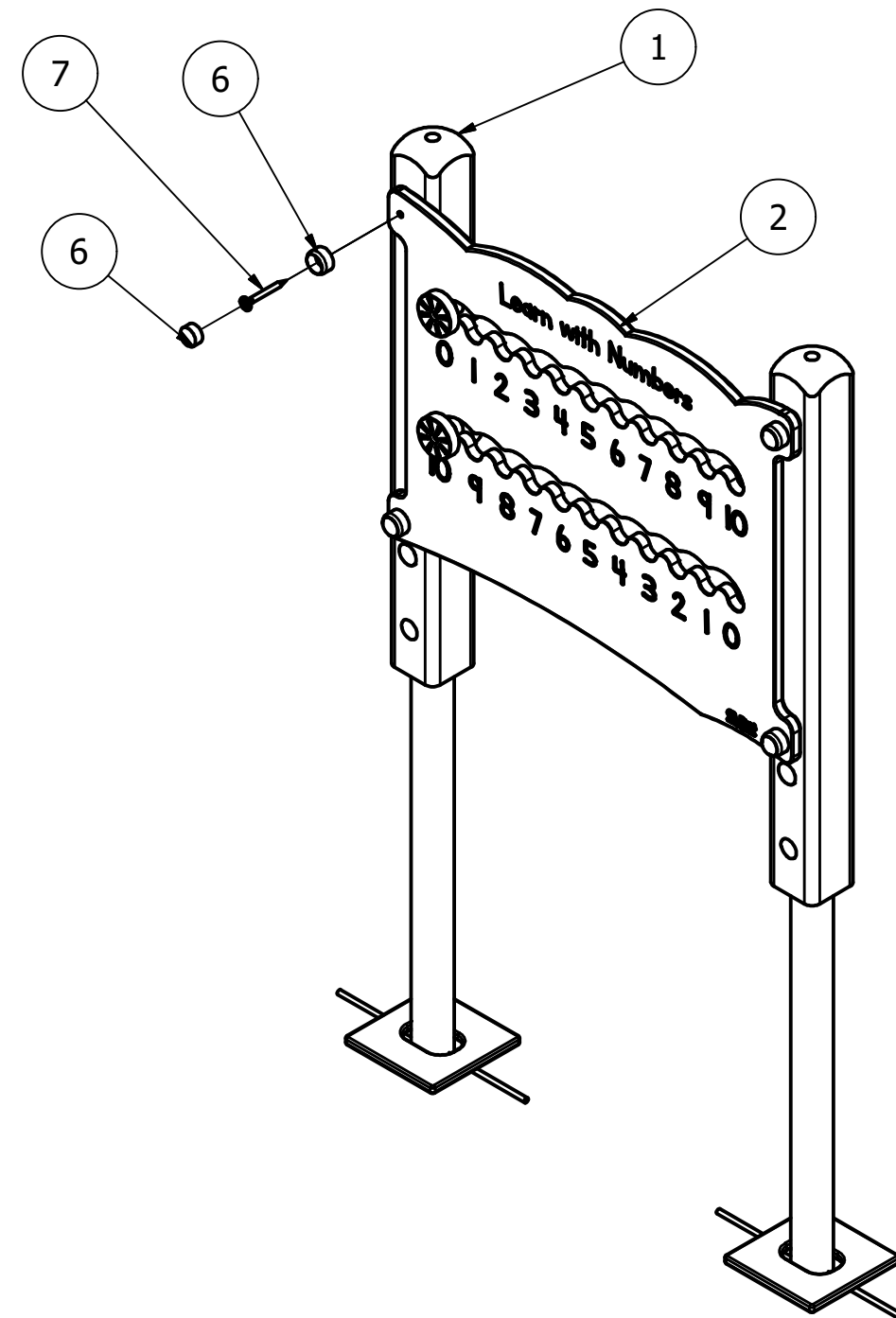
1. POSITION THE FIRST POST INTO THE FOUNDATION HOLE AS ILLUSTRATED BELOW.



2. POSITION THE SECOND POST INTO THE FOUNDATION HOLE AS ILLUSTRATED BELOW.



3. USING THE PILOT HOLES ON THE POSTS AS A GUIDE, SECURE THE PLAY PANEL TO THE POSTS USING THE FIXINGS PROVIDED.



UNLESS OTHERWISE SPECIFIED:  
DIMENSIONS ARE IN MILLIMETERS  
TOLERANCES:  
LINEAR: ±2MM  
1 DECIMAL PLACE: ±0.5MM  
ANGULAR: ±1°

PROPRIETARY AND CONFIDENTIAL

THE INFORMATION CONTAINED IN THIS DRAWING IS THE SOLE PROPERTY OF FENLAND LEISURE PRODUCTS. ANY REPRODUCTION IN PART OR AS A WHOLE WITHOUT THE WRITTEN PERMISSION OF FENLAND LEISURE PRODUCTS IS PROHIBITED.

Title: PRO-500-077

Product Range: PLAY PANELS

Date:  
24/03/2022

Page:

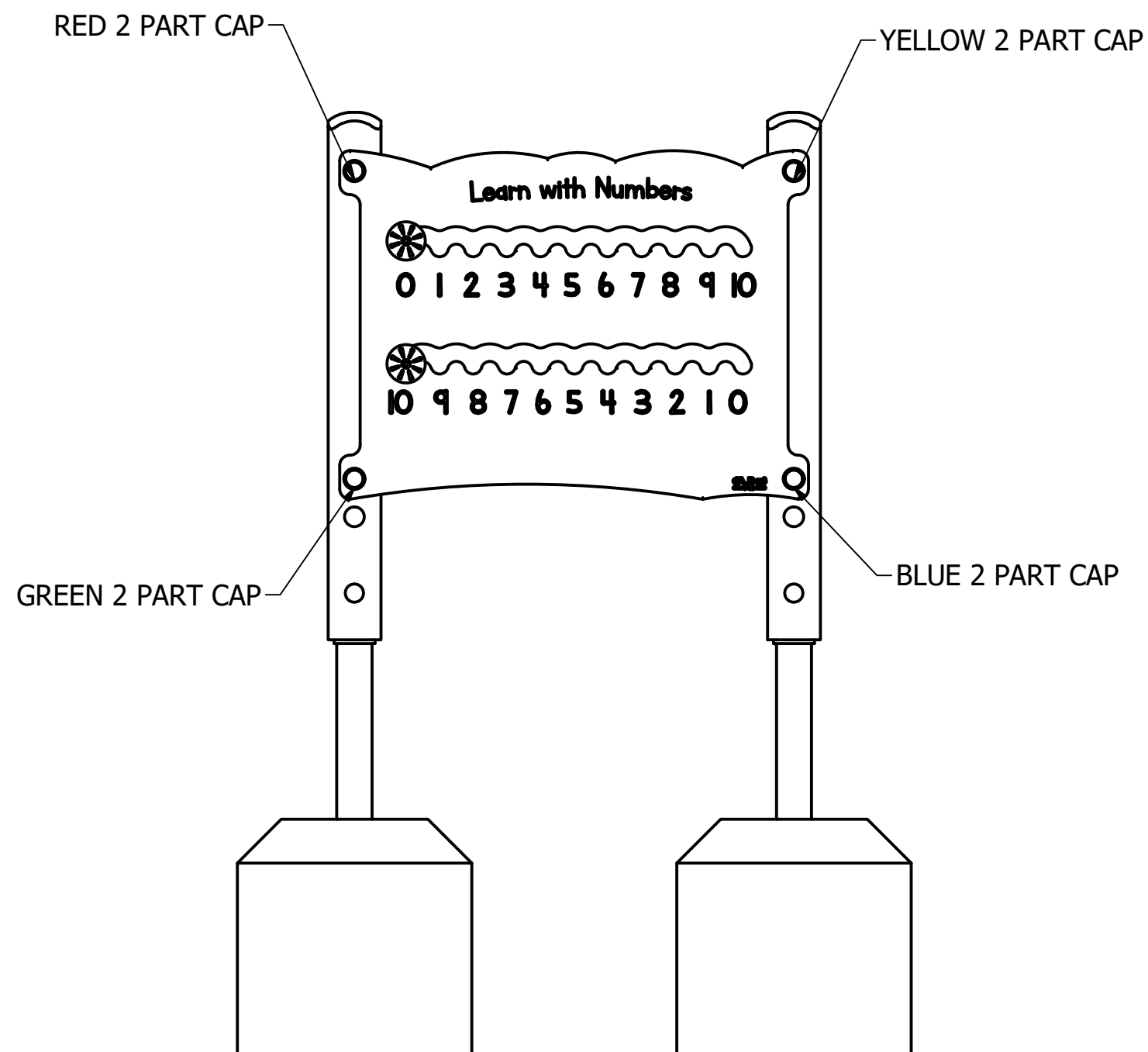
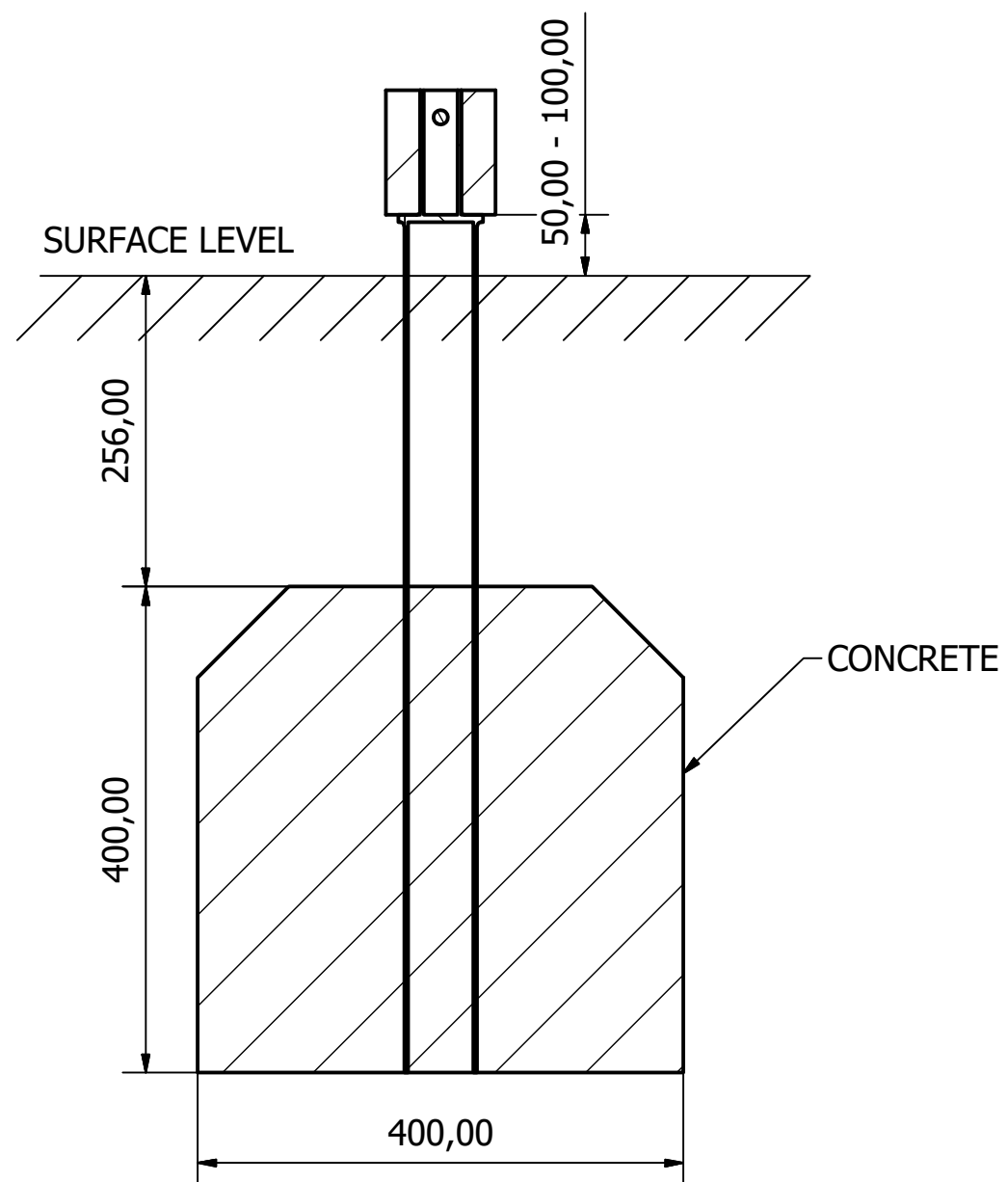
A3



DO NOT SCALE FROM DRAWING

Tel: 01354 638359 www.onlineplaygrounds.co.uk

4. FINALLY. ENSURE UNIT IS LEVEL AND PLUMB, ALL FIXINGS HAVE BEEN TIGHTENED AND PROTECTIVE CAPS IN PLACE. ADD CONCRETE TO EACH FOUNDATION HOLE AND LEAVE FOR 48 HOURS.



UNLESS OTHERWISE SPECIFIED:  
DIMENSIONS ARE IN MILLIMETERS  
TOLERANCES:  
LINEAR: ±2MM  
1 DECIMAL PLACE: ±0.5MM  
ANGULAR: ±1°

**PROPRIETARY AND CONFIDENTIAL**  
THE INFORMATION CONTAINED IN THIS  
DRAWING IS THE SOLE PROPERTY OF  
FENLAND LEISURE PRODUCTS. ANY  
REPRODUCTION IN PART OR AS A WHOLE  
WITHOUT THE WRITTEN PERMISSION  
OF FENLAND  
LEISURE PRODUCTS IS PROHIBITED.

Title: PRO-500-080

Product Range: PLAY PANELS

Date:  
24/03/2022

Page:

A3



DO NOT SCALE FROM DRAWING

Tel: 01354 638359 www.onlineplaygrounds.co.uk