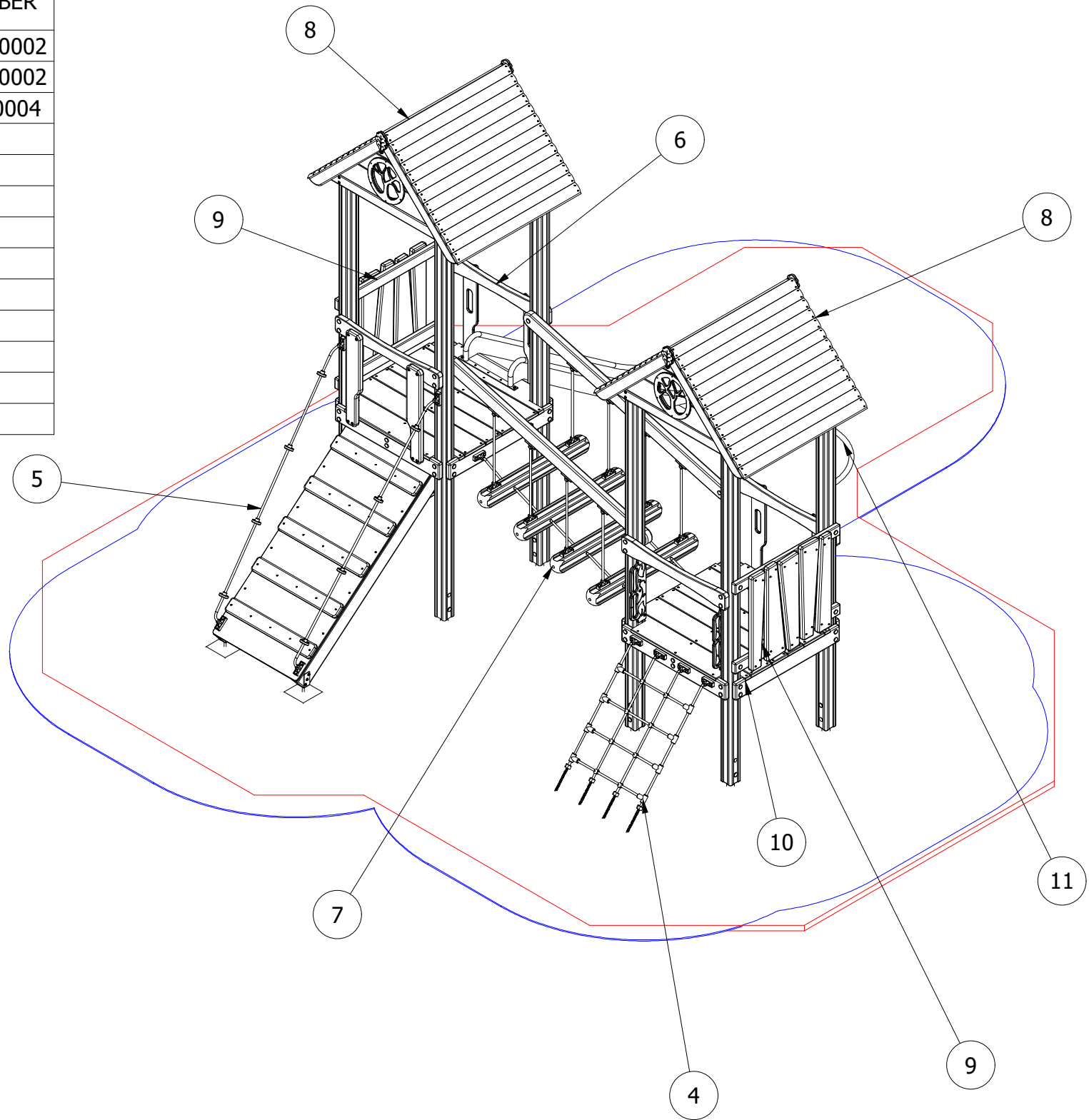
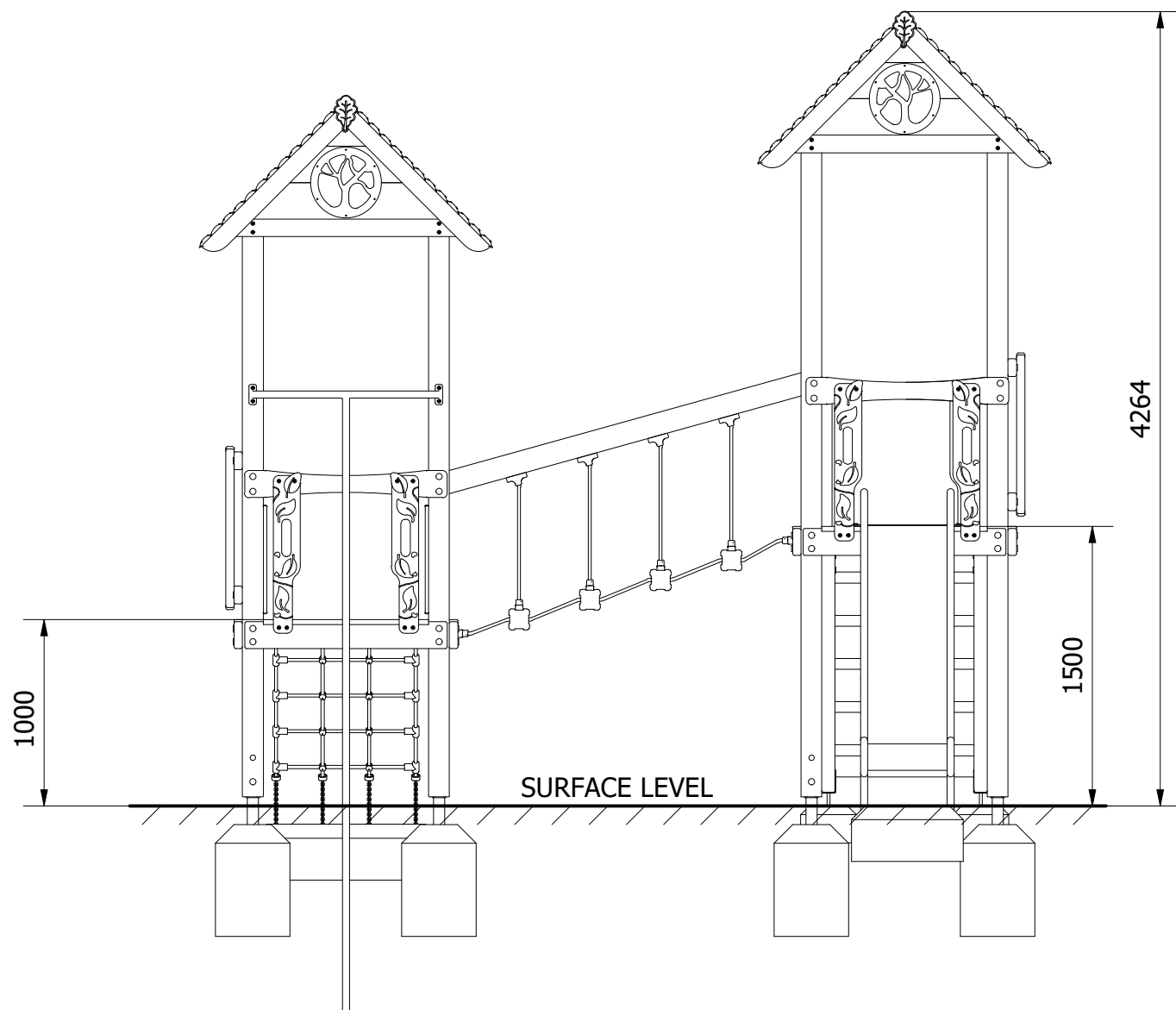


PARTS LIST

ITEM	QTY	PART NUMBER	DESCRIPTION	STOCK NUMBER
1	4	TB-200-557_B	3700 (3200 PF) x 112mm Safalog	COMTIMSAF0002
2	4	TB-200-954	3600 X 112MM (POST INSERT)	COMTIMSAF0002
3	8	MOD-600-116 GROUND FOOT	GROUND FOOT (112)	SUBSTEMIS0004
4	1	MOD-600-124 1M ORCHARD SCRAMBLE NET	1M ORCHARD SCRAMBLE NET	
5	1	MOD-600-132 1.5M ORCHARD RAMP	1.5M ORCHARD RAMP	
6	1	MOD-600-149 1.5M ORCHARD SLIDE	1M ORCHARD SLIDE	
7	1	MOD-600-150 INCLINED RICKETY BRIDGE	INCLINED RICKETY BRIDGE	
8	2	MOD-600-190 WOODLAND TOWER ROOF	WOODLAND TOWER ROOF	
9	2	MOD-600-191 WOODLAND INFILL PANEL	WOODLAND INFILL PANEL	
10	2	MOD-600-192 TIMBER MULTIPLAY DECK	1200 X 1200 DECK	
11	1	MOD-600-193 BASIC ORCHARD FIREMANS POLE	FIREMANS POLE	
12	1	MOD-600-194 ORCHARD BIRD PANEL	ORCHARD BIRD PANEL	
13	8	400 x 400 x 600	0.096M ³ CONCRETE FOUNDATION	



UNLESS OTHERWISE SPECIFIED:
DIMENSIONS ARE IN MILLIMETERS
TOLERANCES:
LINEAR: ±2MM
1 DECIMAL PLACE: ±0.5MM
ANGULAR: ±1°

PROPRIETARY AND CONFIDENTIAL
THE INFORMATION CONTAINED IN THIS DRAWING IS THE SOLE PROPERTY OF FENLAND LEISURE PRODUCTS. ANY REPRODUCTION IN PART OR AS A WHOLE WITHOUT THE WRITTEN PERMISSION OF FENLAND LEISURE PRODUCTS IS PROHIBITED.

Title: PRO-500-246 WISTMANS WOOD

Product Range: MULTIPLAY TOWER

1.5M FFH

Date:
25/05/2022

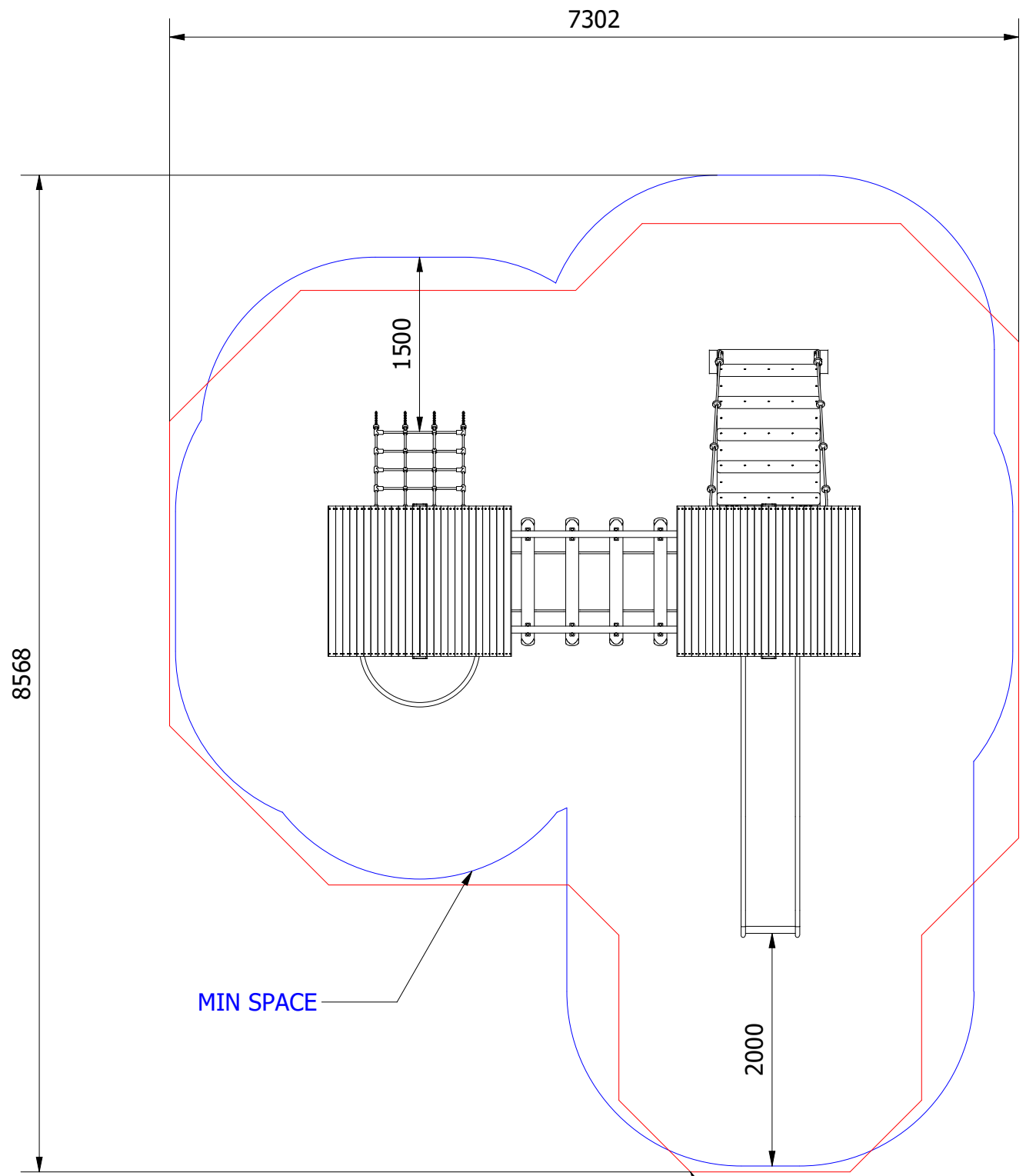
Page: 1

A3

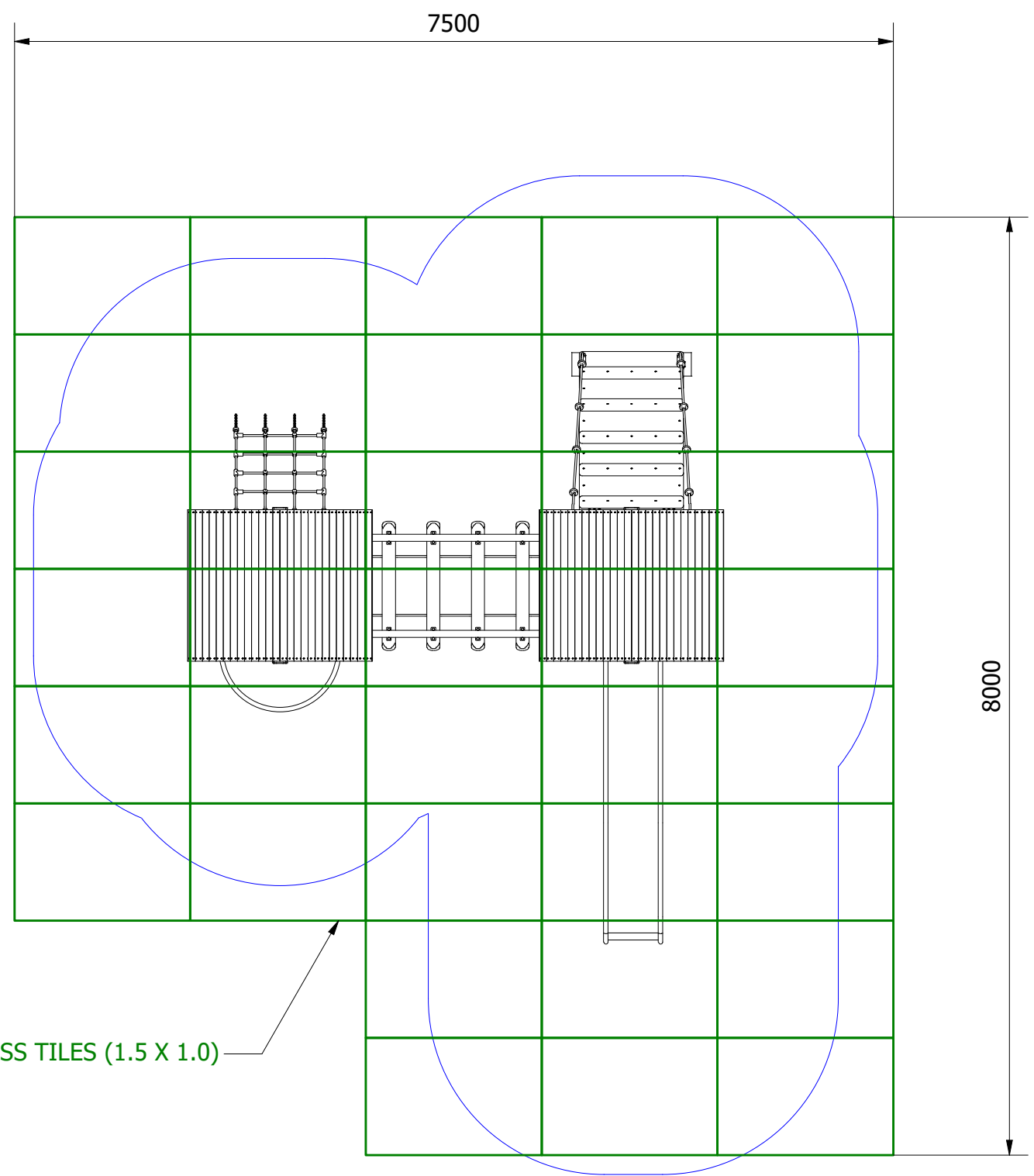


DO NOT SCALE FROM DRAWING

Tel: 01354 638359 www.onlineplaygrounds.co.uk

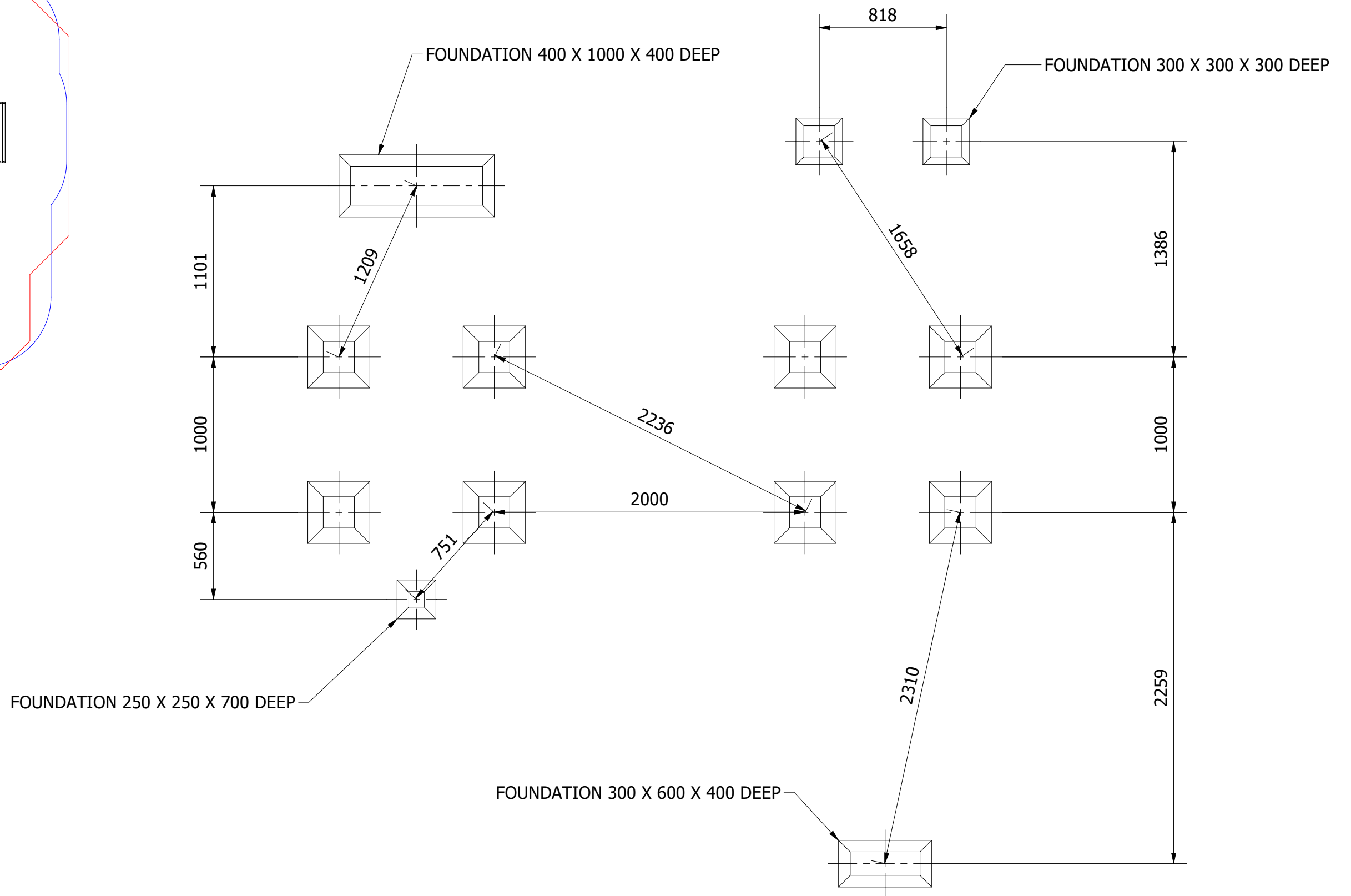
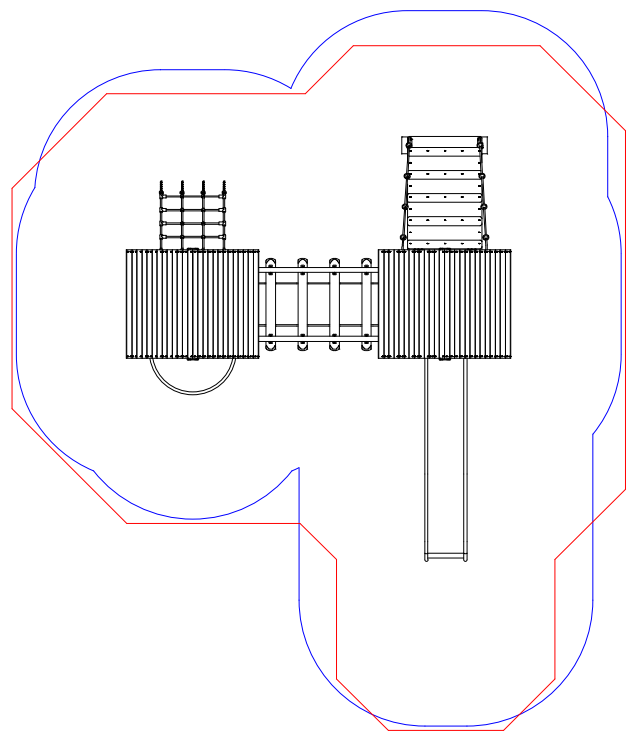


WETPOUR AREA = 43.5M²
PERIMETER = 27.0 L/M



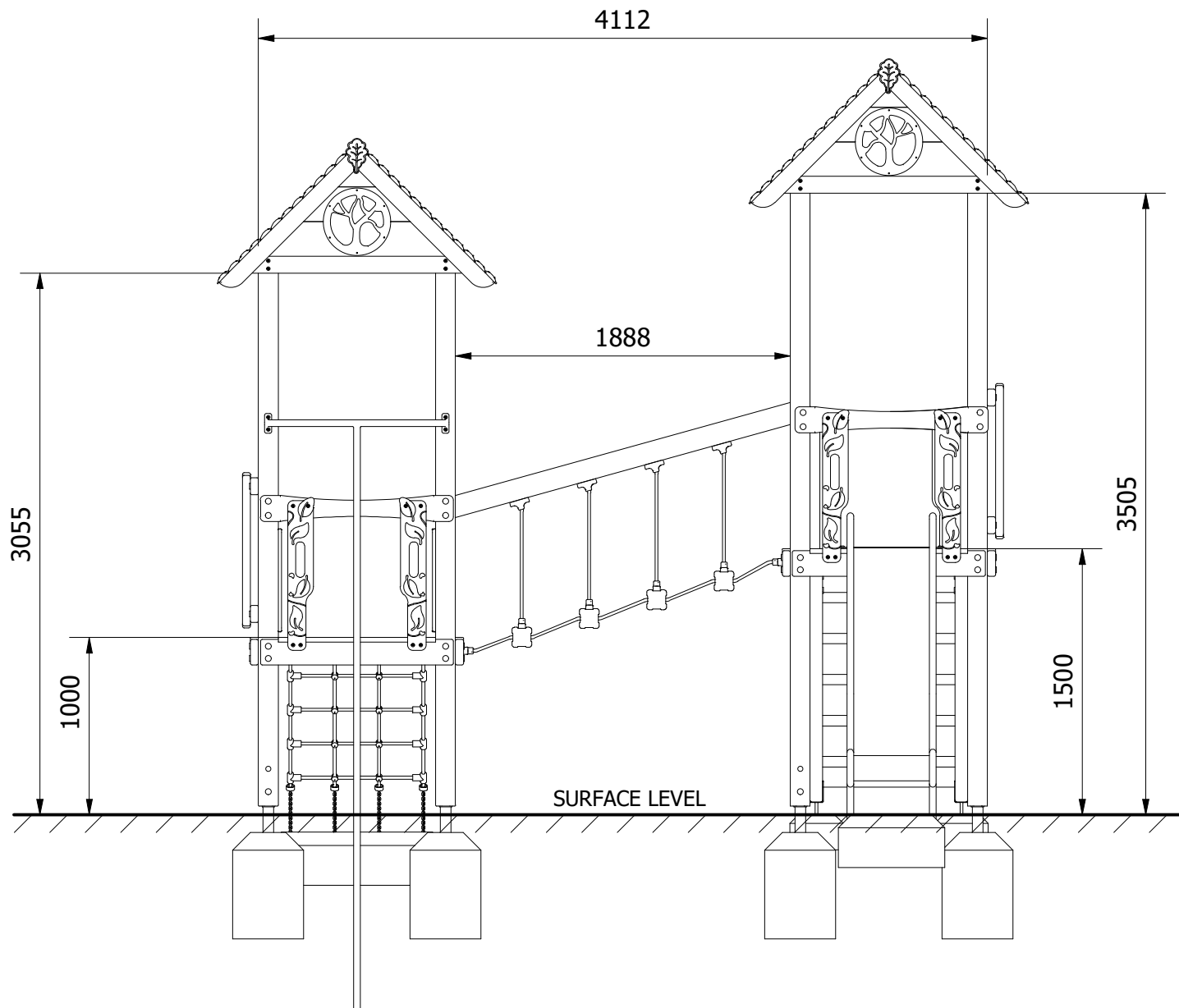
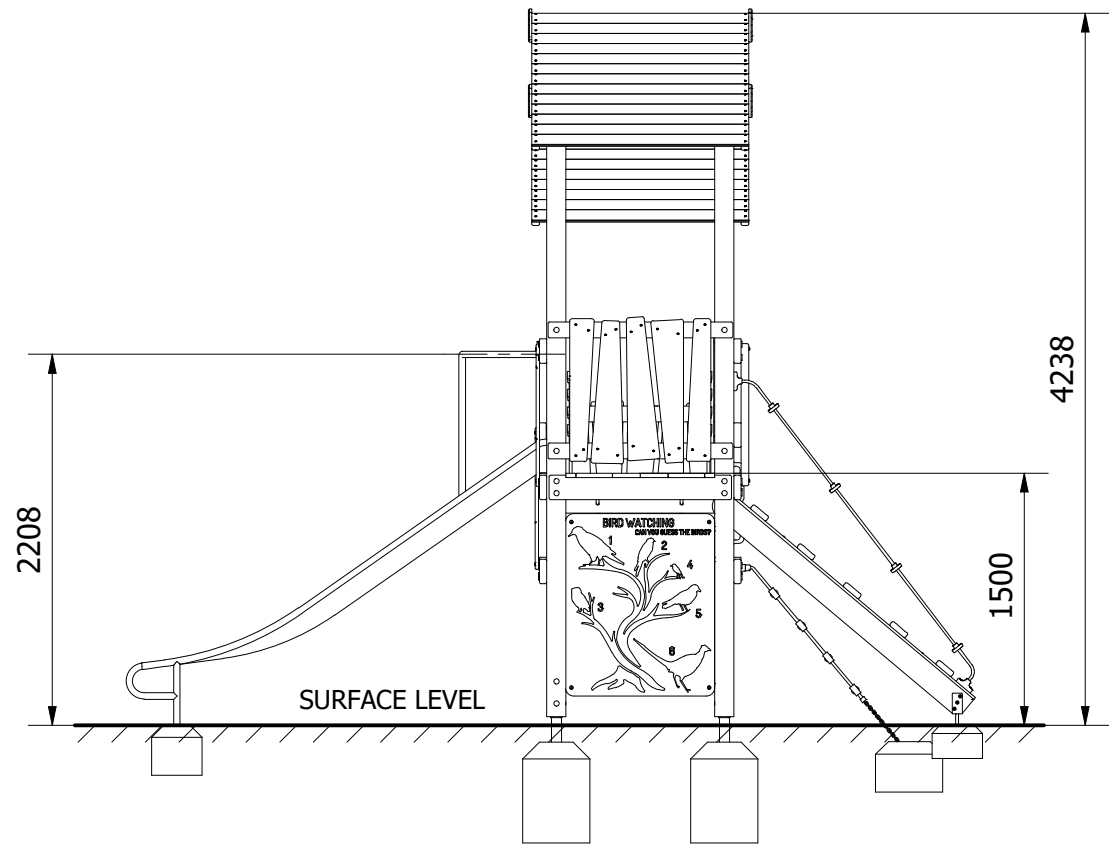
36 SAFAGRASS TILES (1.5 X 1.0)

UNLESS OTHERWISE SPECIFIED: DIMENSIONS ARE IN MILLIMETERS TOLERANCES: LINEAR: ±2MM 1 DECIMAL PLACE: ±0.5MM ANGULAR: ±1°	PROPRIETARY AND CONFIDENTIAL THE INFORMATION CONTAINED IN THIS DRAWING IS THE SOLE PROPERTY OF FENLAND LEISURE PRODUCTS. ANY REPRODUCTION IN PART OR AS A WHOLE WITHOUT THE WRITTEN PERMISSION OF FENLAND LEISURE PRODUCTS IS PROHIBITED.	Title: PRO-500-246 WISTMANS WOOD	
		Product Range: MULTIPLAY TOWER	
		Date: 25/05/2022	
		Page: 2	
		DO NOT SCALE FROM DRAWING	
		Tel: 01354 638359 www.onlineplaygrounds.co.uk	

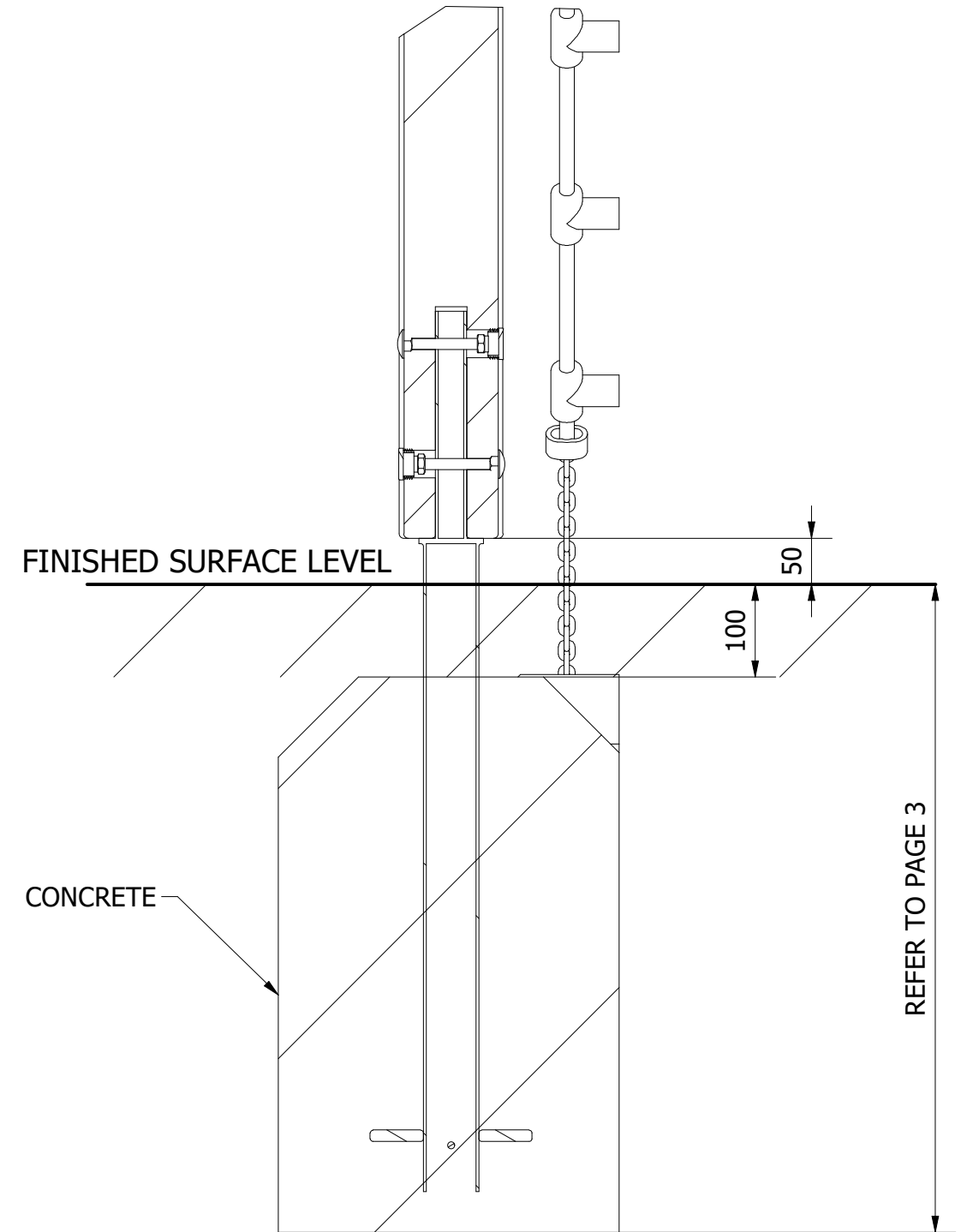


ALL FOUNDATIONS 400 X 400 X 700 DEEP UNLESS OTHERWISE SPECIFIED

UNLESS OTHERWISE SPECIFIED: DIMENSIONS ARE IN MILLIMETERS TOLERANCES: LINEAR: ±2MM 1 DECIMAL PLACE: ±0.5MM ANGULAR: ±1°	PROPRIETARY AND CONFIDENTIAL THE INFORMATION CONTAINED IN THIS DRAWING IS THE SOLE PROPERTY OF FENLAND LEISURE PRODUCTS. ANY REPRODUCTION IN PART OR AS A WHOLE WITHOUT THE WRITTEN PERMISSION OF FENLAND LEISURE PRODUCTS IS PROHIBITED.	Title: PRO-500-246 WISTMANS WOOD	
		Product Range: MULTIPLAY TOWER	
		Date: 25/05/2022	
		Page: 3	
		A3	
		DO NOT SCALE FROM DRAWING	
		Tel: 01354 638359 www.onlineplaygrounds.co.uk	



ENSURE UNIT IS LEVEL AND PLUMB, ALL FIXINGS HAVE BEEN TIGHTENED AND PROTECTIVE CAPS IN PLACE. ADD CONCRETE TO EACH FOUNDATION HOLE AND LEAVE FOR 48 HOURS.



UNLESS OTHERWISE SPECIFIED:
DIMENSIONS ARE IN MILLIMETERS
TOLERANCES:
LINEAR: ±2MM
1 DECIMAL PLACE: ±0.5MM
ANGULAR: ±1°

PROPRIETARY AND CONFIDENTIAL
THE INFORMATION CONTAINED IN THIS DRAWING IS THE SOLE PROPERTY OF FENLAND LEISURE PRODUCTS. ANY REPRODUCTION IN PART OR AS A WHOLE WITHOUT THE WRITTEN PERMISSION OF FENLAND LEISURE PRODUCTS IS PROHIBITED.

Title: PRO-500-246 WISTMANS WOOD

Product Range: MULTIPLAY TOWER

Date:
25/05/2022

Page: 4

A3



DO NOT SCALE FROM DRAWING

Tel: 01354 638359 www.onlineplaygrounds.co.uk