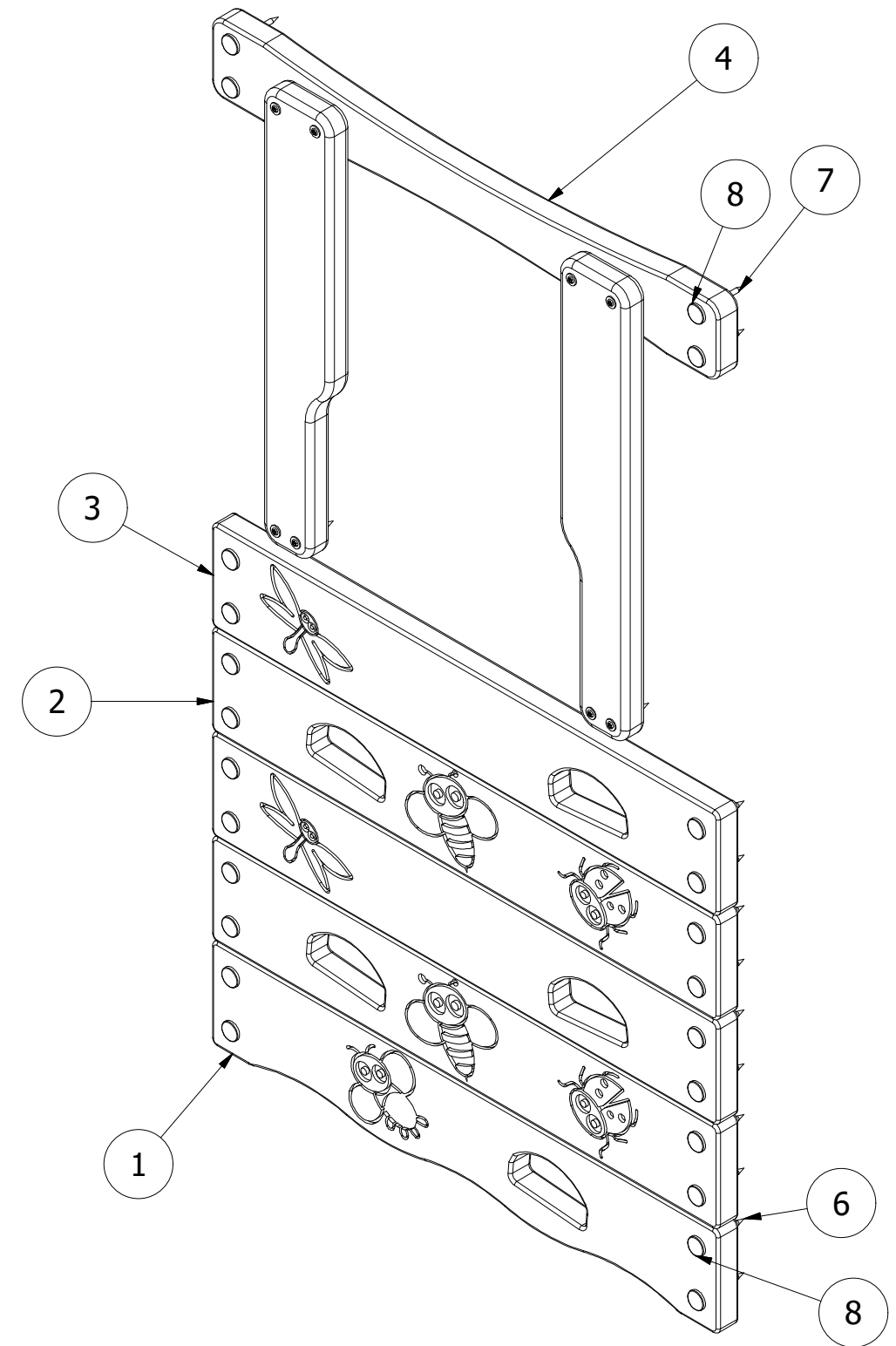
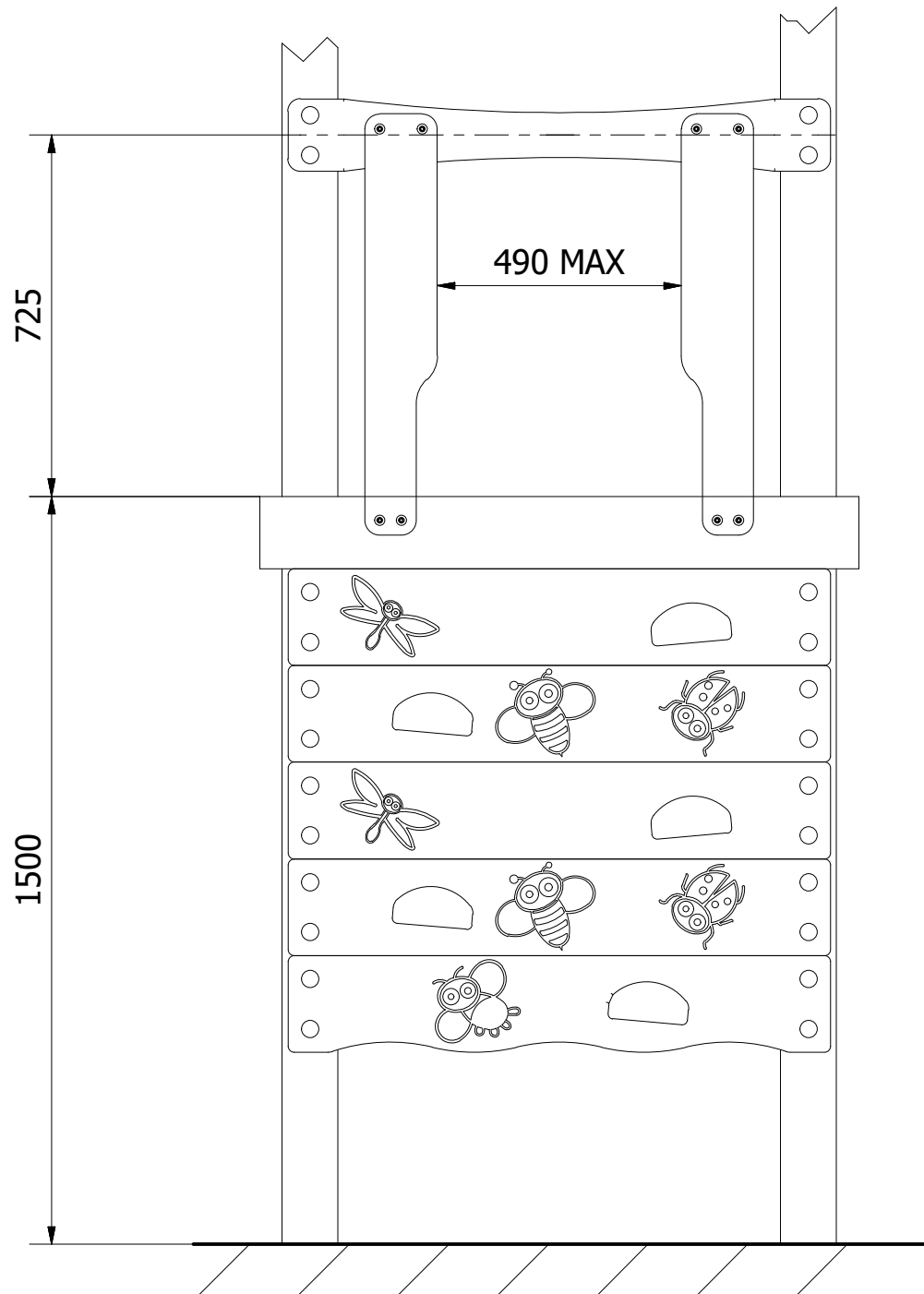


PARTS LIST

ITEM	QTY	PART NUMBER	DESCRIPTION	STOCK NUMBER
1	1	TB-200-245	1088 X 195 X 45	COMTIMSAW0004
2	2	TB-200-246	1088 X 195 X 45	COMTIMSAW0004
3	2	TB-200-247	1088 X 195 X 45	COMTIMSAW0004
4	1	TB-200-248	1088 X 145 X 45	COMTIMSAW0005
5	2	TB-200-707	845 X 145 X 45	COMTIMSAW0005
6	28	M8 X 70 TORX WASHER HEAD	70MM WASHER SCREW	COMA2WH8X70
7	4	M8 X 80 TORX WASHER HEAD	80MM WASHER SCREW	COMA2WH8X80
8	24	30MM BOLT COVER	30MM BLACK CAP	COMPLACAP0001



UNLESS OTHERWISE SPECIFIED:
DIMENSIONS ARE IN MILLIMETERS
TOLERANCES:
LINEAR: ±2MM
1 DECIMAL PLACE: ±0.5MM
ANGULAR: ±1°

PROPRIETARY AND CONFIDENTIAL

THE INFORMATION CONTAINED IN THIS DRAWING IS THE SOLE PROPERTY OF FENLAND LEISURE PRODUCTS. ANY REPRODUCTION IN PART OR AS A WHOLE WITHOUT THE WRITTEN PERMISSION OF FENLAND LEISURE PRODUCTS IS PROHIBITED.

Title: MOD-600-130 1.5M CLIMBING WALL

Product Range: MODULE DRAWING

Date:
26/05/2021

Page: 1

A3



DO NOT SCALE FROM DRAWING

Tel: 01354 638359 www.onlineplaygrounds.co.uk