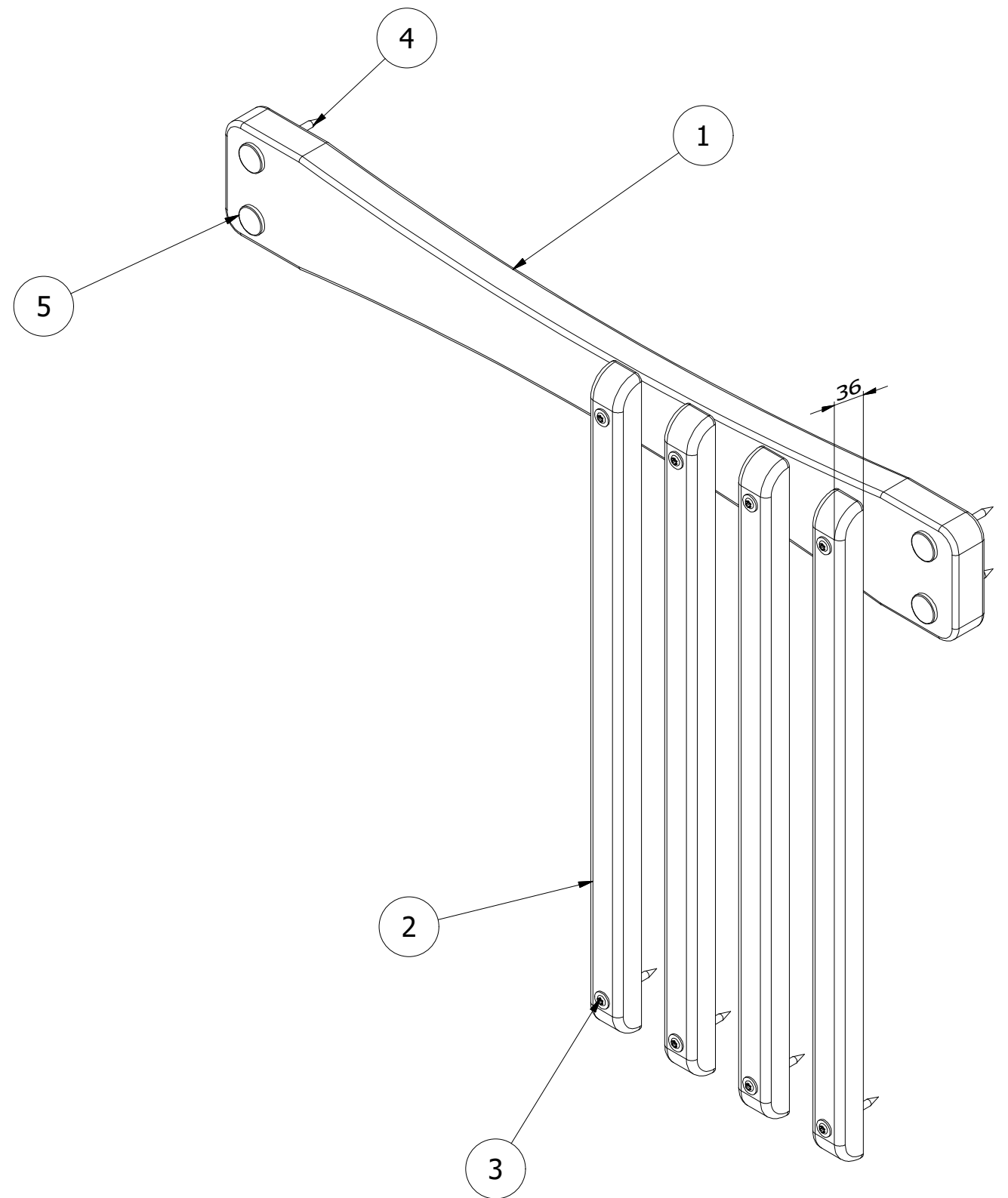
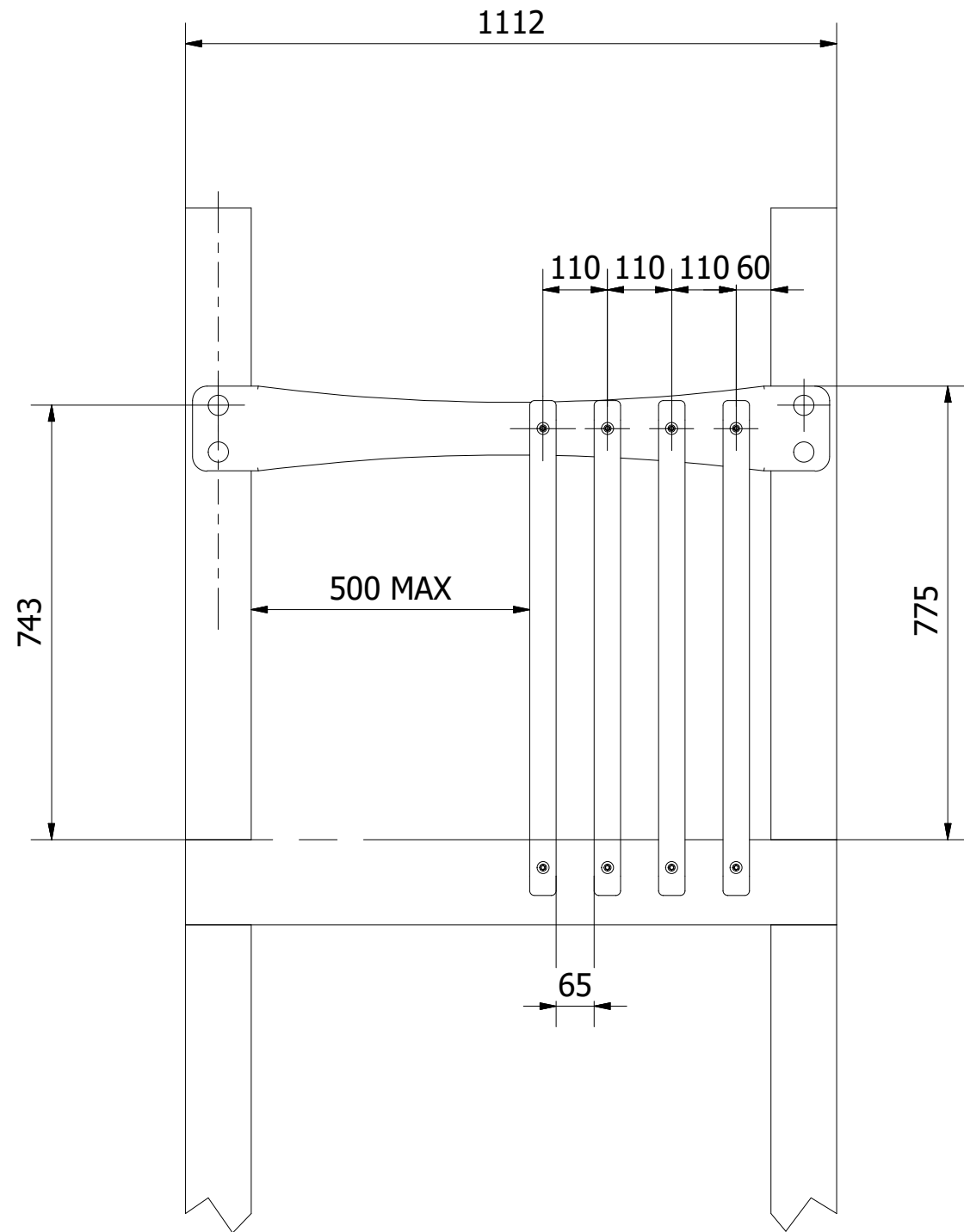


PARTS LIST

ITEM	QTY	PART NUMBER	DESCRIPTION	STOCK NUMBER
1	1	TB-200-248	1088 X 145 X 45	COMTIMSAW0005
2	4	TB-200-211	845 X 45 X 35 BARRIER	COMTIMSAW0007
3	8	M8 X 70 TORX WASHER HEAD	70MM WASHER SCREW	COMA2WH8X70
4	4	M8 X 80 TORX WASHER HEAD	80MM WASHER SCREW	COMA2WH8X80
5	4	30MM BOLT COVER	30MM BLACK CAP	COMPLACAP0001



UNLESS OTHERWISE SPECIFIED:
DIMENSIONS ARE IN MILLIMETERS
TOLERANCES:
LINEAR: ±2MM
1 DECIMAL PLACE: ±0.5MM
ANGULAR: ±1°

PROPRIETARY AND CONFIDENTIAL
THE INFORMATION CONTAINED IN THIS
DRAWING IS THE SOLE PROPERTY OF
FENLAND LEISURE PRODUCTS. ANY
REPRODUCTION IN PART OR AS A WHOLE
WITHOUT THE WRITTEN PERMISSION
OF FENLAND
LEISURE PRODUCTS IS PROHIBITED.

Title: MOD-600-109 ACCESS BARRIER	
Product Range: MODULE DRAWING	
Date: 24/08/2020	Page: 1
DO NOT SCALE FROM DRAWING	
Tel: 01354 638359 www.onlineplaygrounds.co.uk	



NOTE: (WORKSHOP) LEFT AND RIGHT HAND VERSIONS - REFER TO PRODUCT SHEET