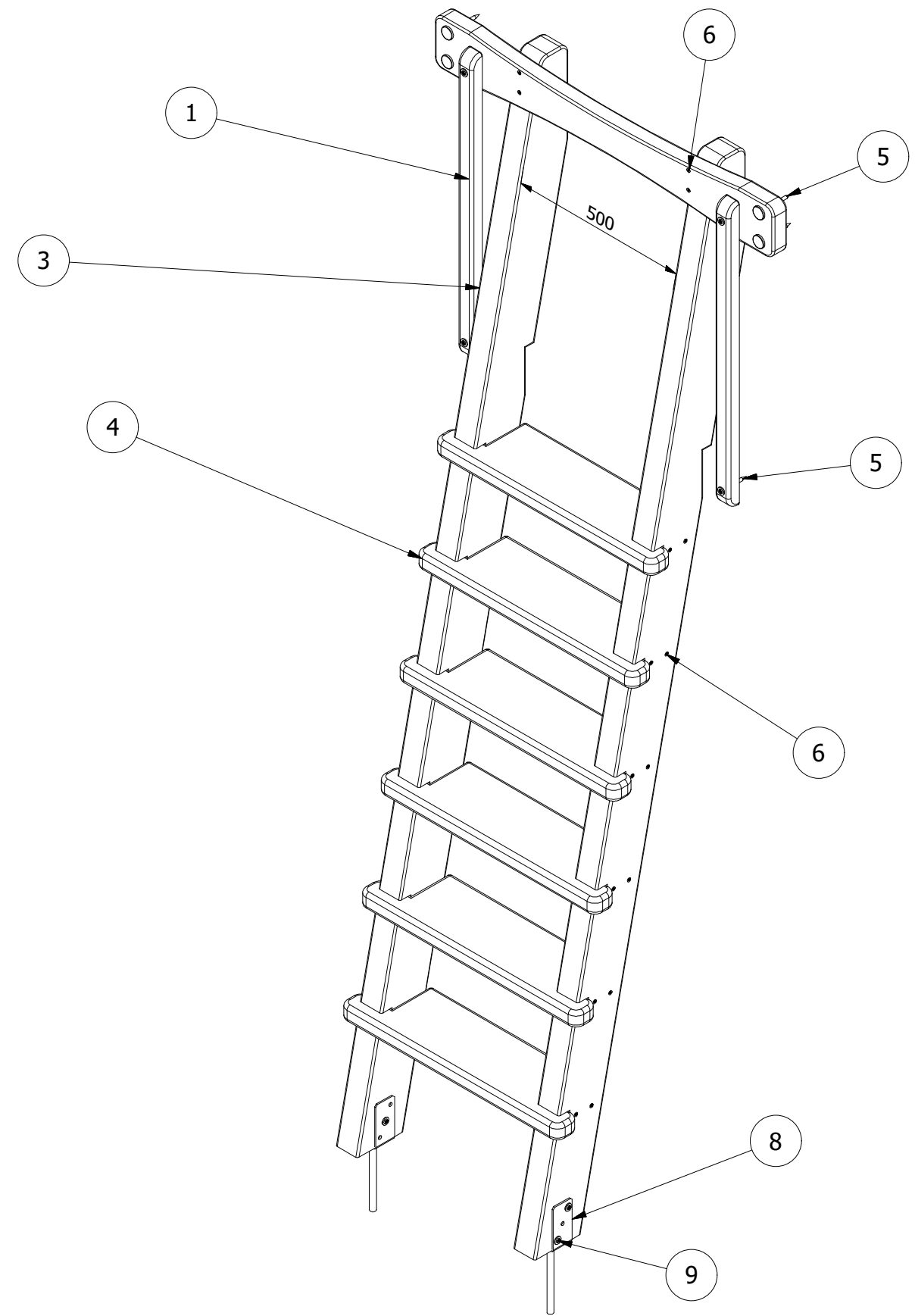
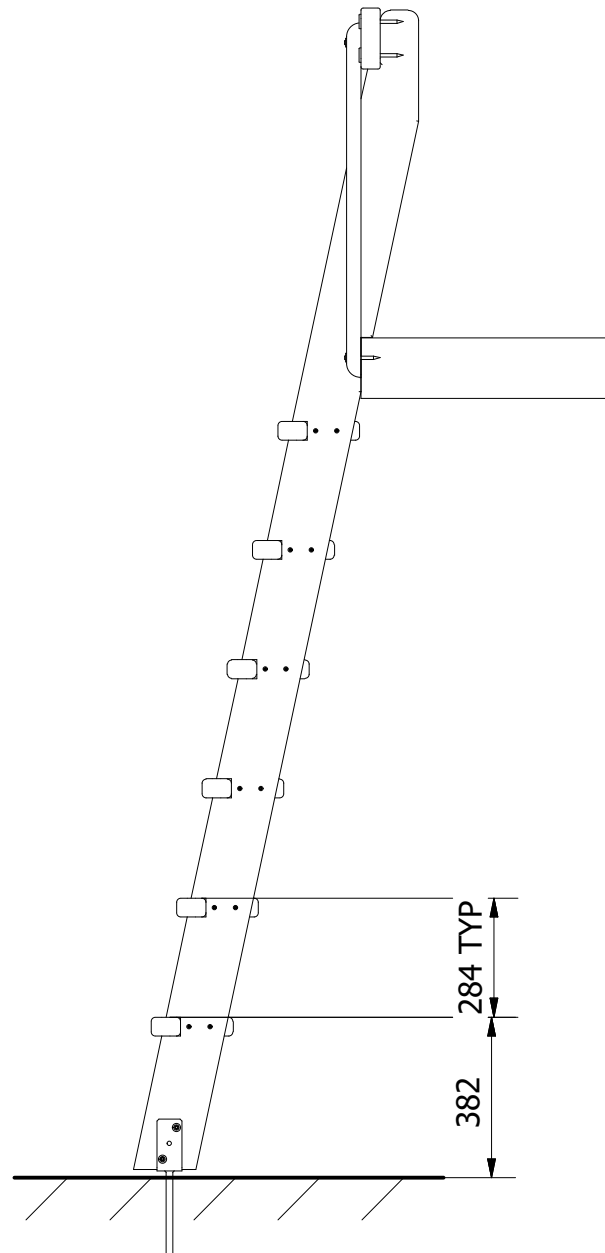
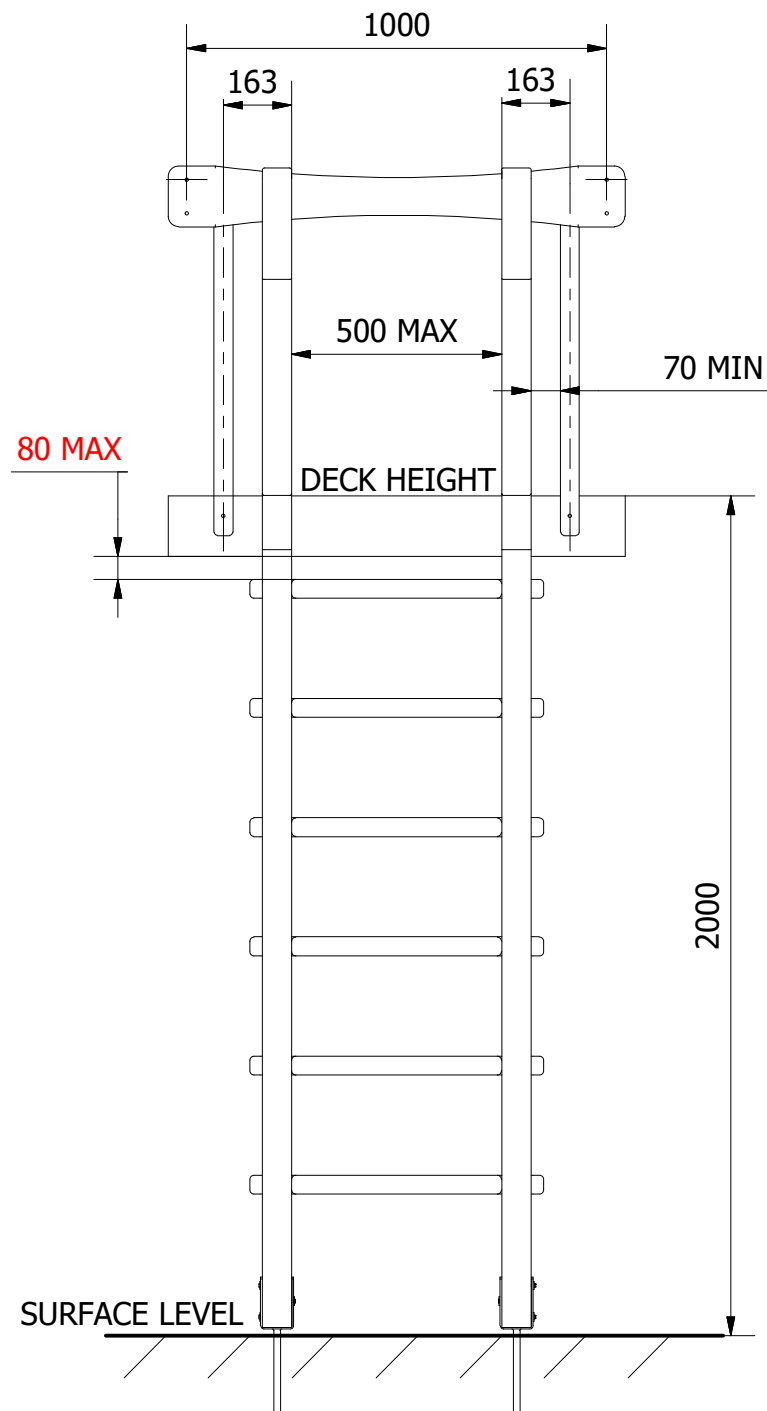


PARTS LIST				
ITEM	QTY	PART NUMBER	DESCRIPTION	STOCK NUMBER
1	2	TB-200-211	845 X 45 X 35 BARRIER	COMTIMSAW0007
2	1	TB-200-248	1088 X 145 X 45	COMTIMSAW0005
3	2	TB-200-538_B	2835 X 145 X 70 (POST FOOT)	COMTIMSAW0003
4	6	TB-200-540	700 X 195 X 45	COMTIMSAW0004
5	8	M8 X 70 TORX WASHER HEAD	70MM WASHER SCREW	COMA2WH8X70
6	28	M6 X 100 TORX WOODSCREW	100MM TORX WOODSCREW	COMA2WS6X100
7	4	30MM BOLT COVER	30MM BLACK CAP	COMPLACAP0001
8	2	U-SHAPE POST FOOT	POST FOOT	COMSTEMIS0026
9	6	M8 X 50 TORX WASHER HEAD	50MM WASHER SCREW	COMA2WH8X50



UNLESS OTHERWISE SPECIFIED:  
DIMENSIONS ARE IN MILLIMETERS  
TOLERANCES:  
LINEAR: ±2MM  
1 DECIMAL PLACE: ±0.5MM  
ANGULAR: ±1°

**PROPRIETARY AND CONFIDENTIAL**  
THE INFORMATION CONTAINED IN THIS DRAWING IS THE SOLE PROPERTY OF FENLAND LEISURE PRODUCTS. ANY REPRODUCTION IN PART OR AS A WHOLE WITHOUT THE WRITTEN PERMISSION OF FENLAND LEISURE PRODUCTS IS PROHIBITED.

Title: MOD-600-066 2M PLATFORM LADDER\_SF

Product Range: MULTIPLAY TOWERS

Date: 16/08/2020

Page: 1

A3



DO NOT SCALE FROM DRAWING

Tel: 01354 638359 www.onlineplaygrounds.co.uk