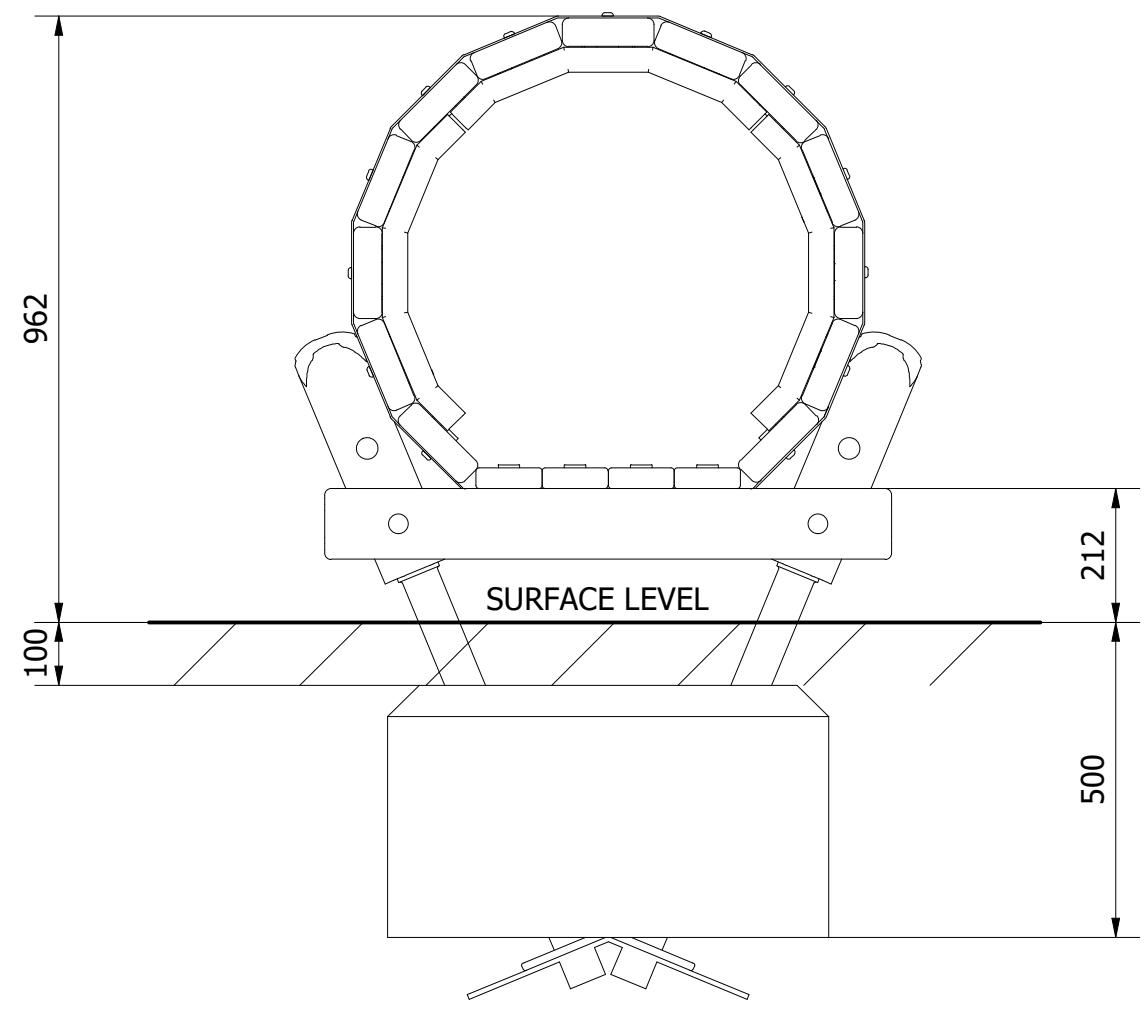
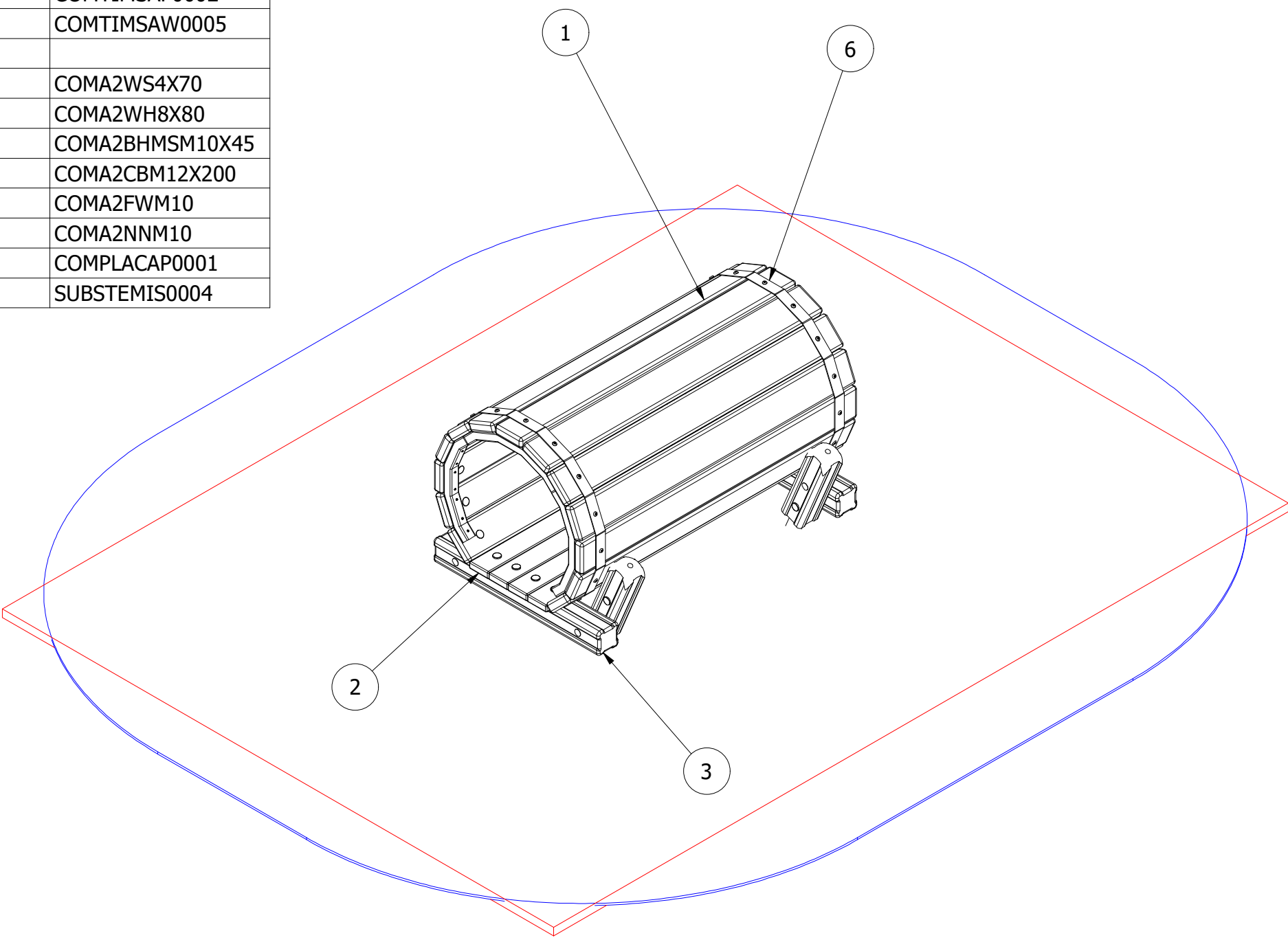

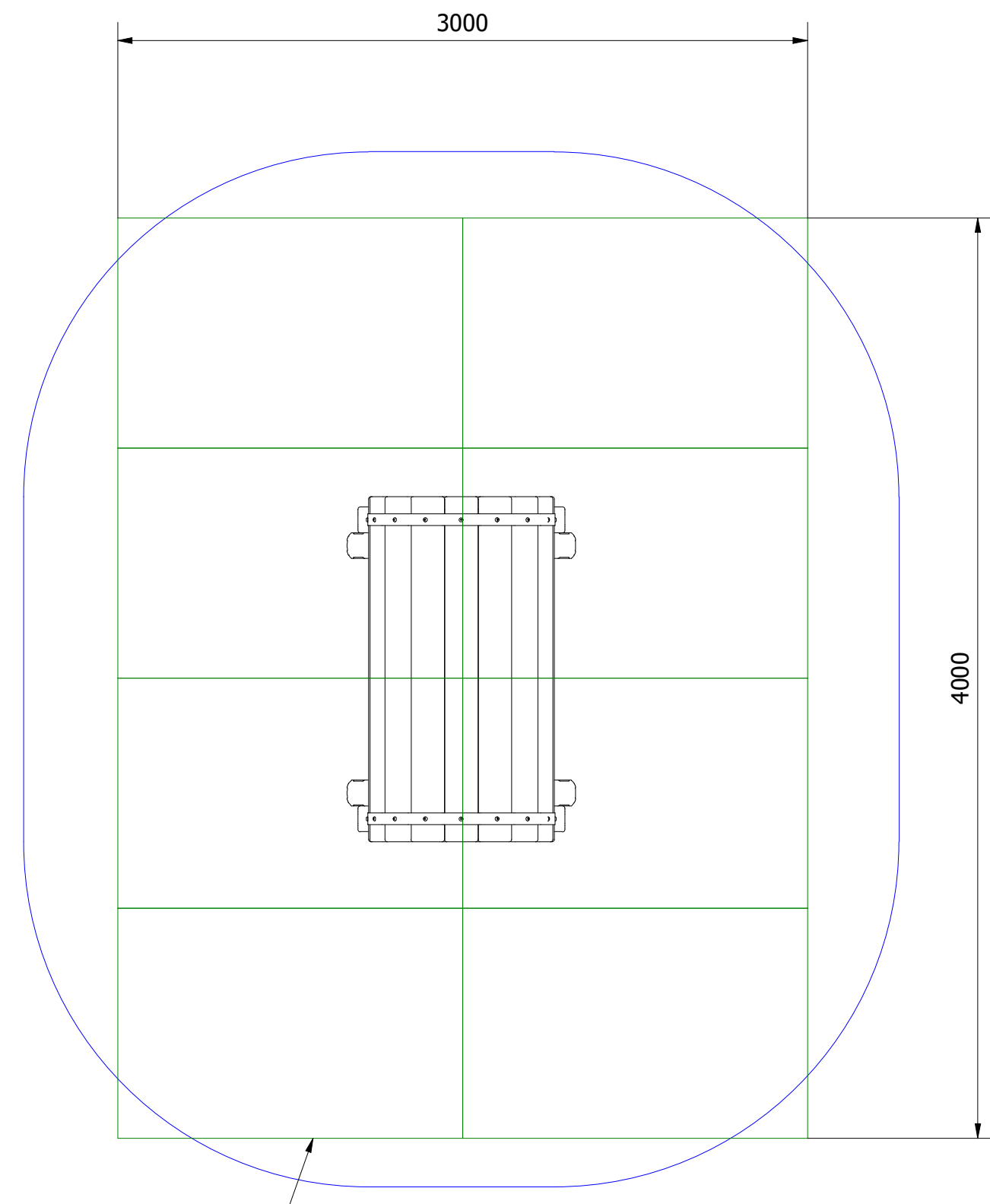
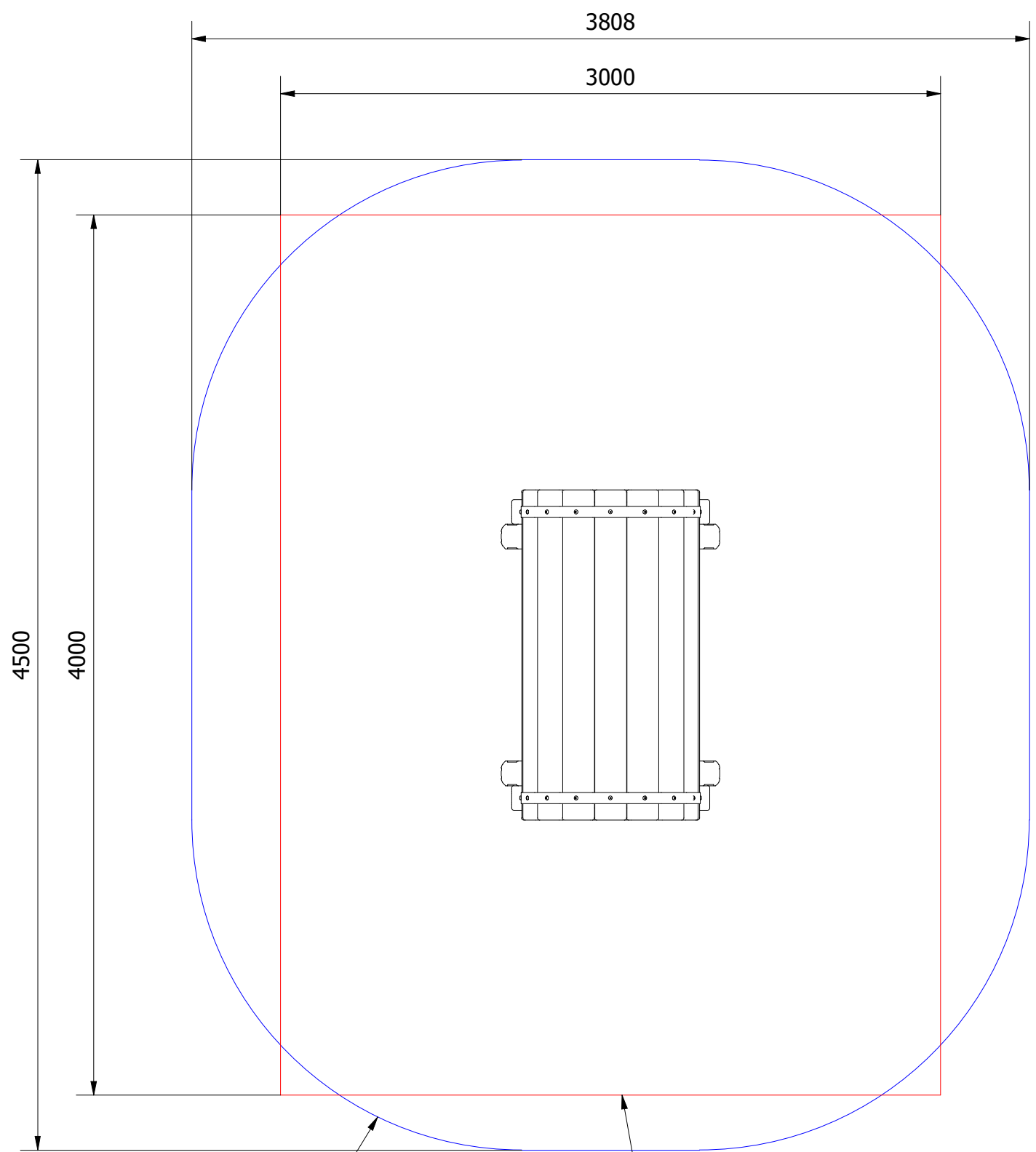


PARTS LIST

ITEM	QTY	PART NUMBER	DESCRIPTION	STOCK NUMBER
1	13	TB-200-631	1500 X 145 X 45	COMTIMSAW0005
2	4	TB-200-632	1500 X 125 X 38	COMTIMSAW0017
3	2	TB-200-633	900MM X 112MM SAFALOG	COMTIMSAF0002
4	4	TB-200-634_B	400MM X 112MM (POST INSERT)	COMTIMSAF0002
5	6	TB-200-640	502MM X 145MM X 45MM	COMTIMSAW0005
6	2	MT-300-058	TUNNEL BRACKET	
7	48	M4 X 70 TORX WOODSCREW	M4 X 70 TORX WOODSCREW	COMA2WS4X70
8	8	M8 X 80 TORX WASHER HEAD	80MM WASHER SCREW	COMA2WH8X80
9	26	M10 X 45 BUTTON HEAD	M10 X 45 (ISO 7380)	COMA2BHMSM10X45
10	4	M12 X 200 COACH BOLT	M12 X 200 COACH BOLT	COMA2CBM12X200
11	26	M10 WASHER	M10 WASHER (DIN 125)	COMA2FWM10
12	26	M10 NYLOC NUT	M10 NYLOC NUT (DIN 985)	COMA2NNM10
13	34	30MM BOLT COVER	30MM BLACK CAP	COMPLACAP0001
14	4	MOD-600-116 GROUND FOOT	GROUND FOOT (112)	SUBSTEMIS0004



UNLESS OTHERWISE SPECIFIED: DIMENSIONS ARE IN MILLIMETERS TOLERANCES: LINEAR: ±2MM 1 DECIMAL PLACE: ±0.5MM ANGULAR: ±1°	PROPRIETARY AND CONFIDENTIAL THE INFORMATION CONTAINED IN THIS DRAWING IS THE SOLE PROPERTY OF FENLAND LEISURE PRODUCTS. ANY REPRODUCTION IN PART OR AS A WHOLE WITHOUT THE WRITTEN PERMISSION OF FENLAND LEISURE PRODUCTS IS PROHIBITED.	Title: PRO-500-132 - CRAWL TUNNEL	
		Product Range: ACTIVITY PLAY	
		<0.6 FFH	Date: 16/10/2019
			Page: 1
DO NOT SCALE FROM DRAWING		A3	
		Tel: 01354 638359 www.onlineplaygrounds.co.uk	



8 SAFAGRASS TILES (1.5 X 1.0M)

MIN SPACE

WETPOUR AREA = 12M²
PERIMETER = 14 L/M

UNLESS OTHERWISE SPECIFIED:
DIMENSIONS ARE IN MILLIMETERS
TOLERANCES:
LINEAR: ±2MM
1 DECIMAL PLACE: ±0.5MM
ANGULAR: ±1°

PROPRIETARY AND CONFIDENTIAL
THE INFORMATION CONTAINED IN THIS
DRAWING IS THE SOLE PROPERTY OF
FENLAND LEISURE PRODUCTS. ANY
REPRODUCTION IN PART OR AS A WHOLE
WITHOUT THE WRITTEN PERMISSION
OF FENLAND
LEISURE PRODUCTS IS PROHIBITED.

Title: PRO-500-132 - CRAWL TUNNEL

Product Range: ACTIVITY PLAY

Date:
16/10/2019

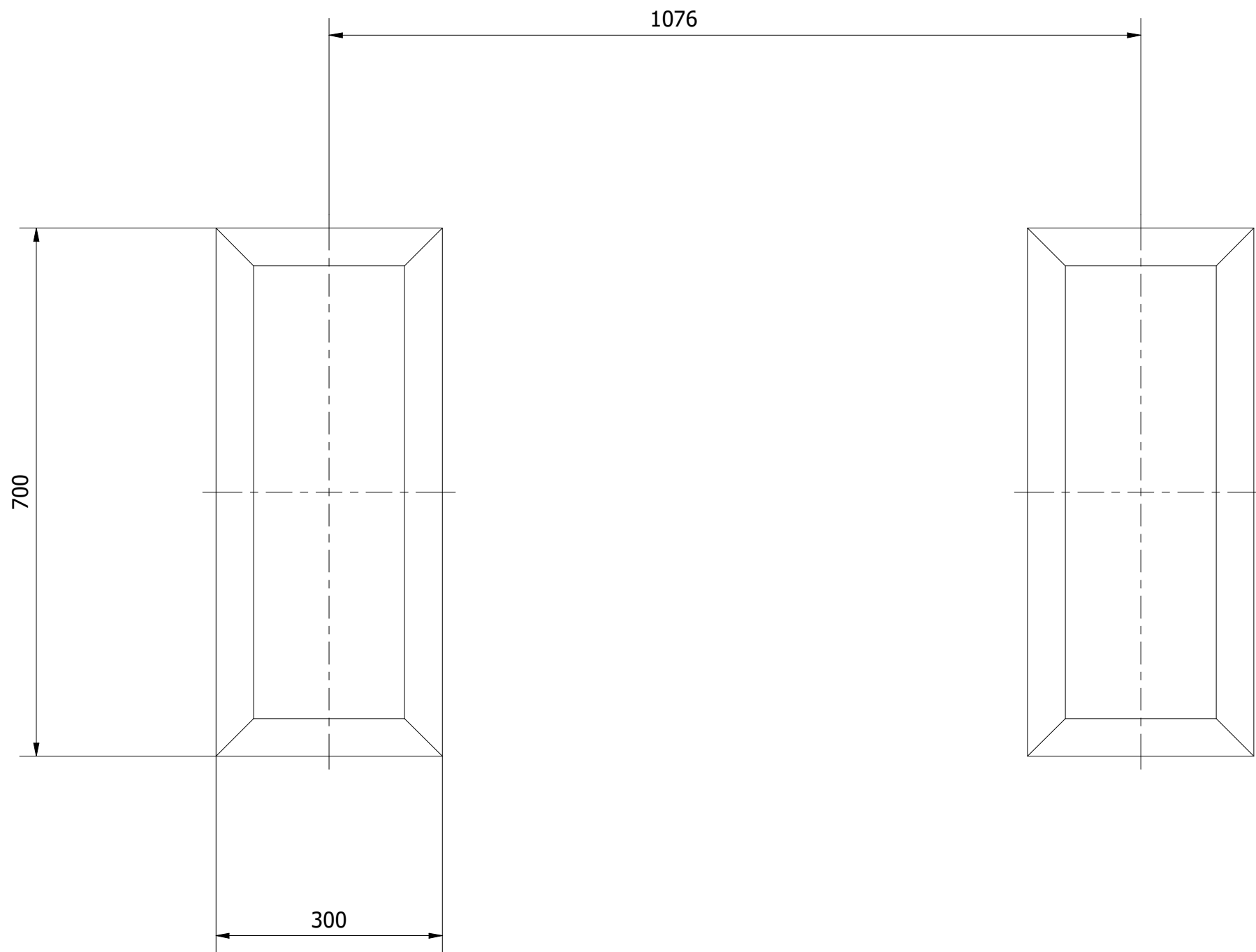
Page: 2

A3



DO NOT SCALE FROM DRAWING

Tel: 01354 638359 www.onlineplaygrounds.co.uk



UNLESS OTHERWISE SPECIFIED:
DIMENSIONS ARE IN MILLIMETERS
TOLERANCES:
LINEAR: ±2MM
1 DECIMAL PLACE: ±0.5MM
ANGULAR: ±1°

PROPRIETARY AND CONFIDENTIAL
THE INFORMATION CONTAINED IN THIS
DRAWING IS THE SOLE PROPERTY OF
FENLAND LEISURE PRODUCTS. ANY
REPRODUCTION IN PART OR AS A WHOLE
WITHOUT THE WRITTEN PERMISSION
OF FENLAND
LEISURE PRODUCTS IS PROHIBITED.

Title: PRO-500-132 - CRAWL TUNNEL

Product Range: ACTIVITY PLAY

Date:
16/10/2019

Page: 3

A3



DO NOT SCALE FROM DRAWING

Tel: 01354 638359 www.onlineplaygrounds.co.uk

ALL FOUNDATIONS 300 X 700 X 500 DEEP UNLESS OTHERWISE SPECIFIED