



Balance Station : MOD-600-004

Description : A Balance Station designed and manufactured in house using our Safalog laminated timber. This Trim Trail component can be found in one of our standard Trim Trails or easily be added to others.

Surfacing Requirements : Perimeter L/M:10 Wetpour/ Fibrefall M²: 6 , Safagrass Mats M²: 6

Recommended User Age : 3+

Critical Fall Height : <600mm

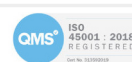
Dimensions of Largest Part : 1850x112x112mm

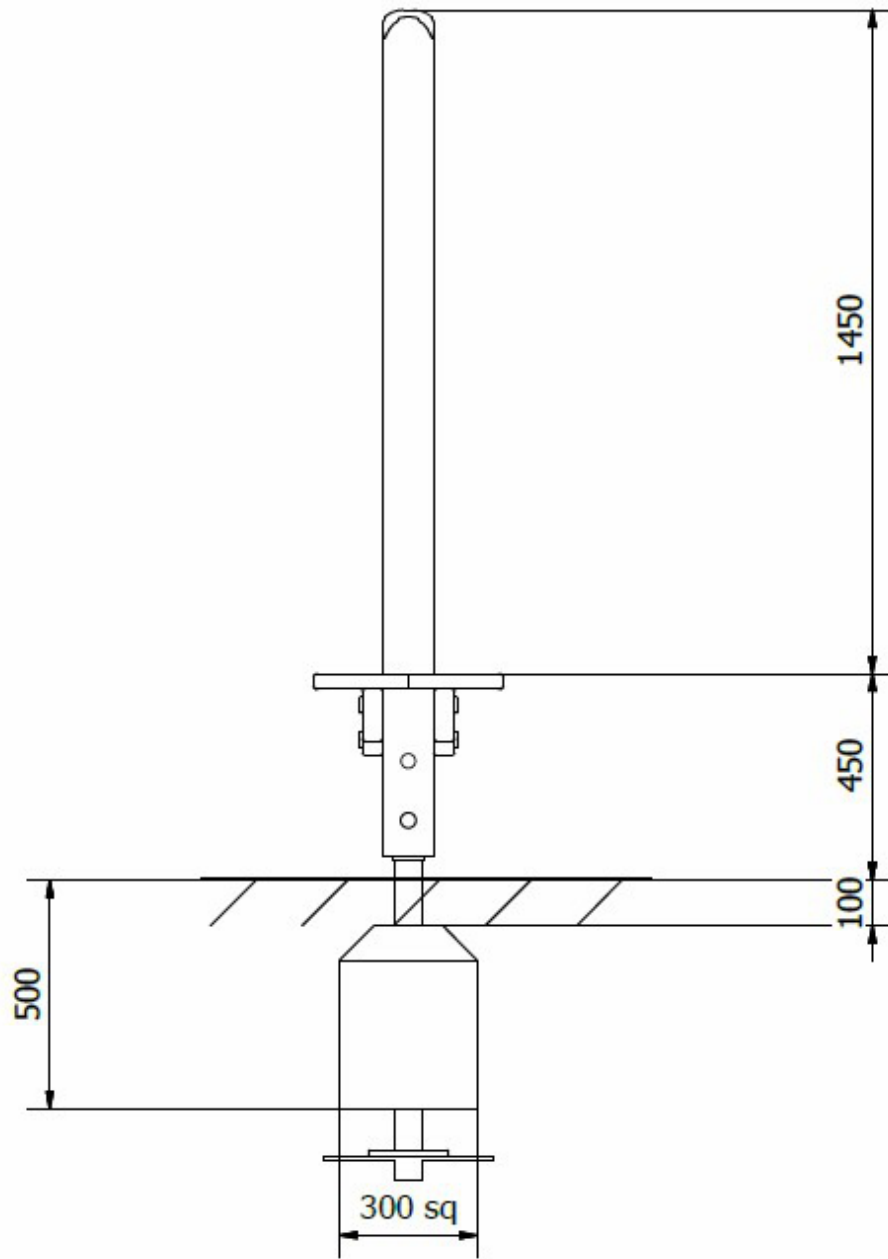
Weight of Heaviest Part : Approx 12.6 kg

This product complies to : BS EN 1176-1_2017

This product is for outdoor use only and must not be installed indoors. Children using the equipment must be supervised at all times. For spare parts and other inquiries please contact us using the contact information below.

Additional information about this product and all the other products we offer can be found on our website www.onlineplaygrounds.co.uk





Side Elevation