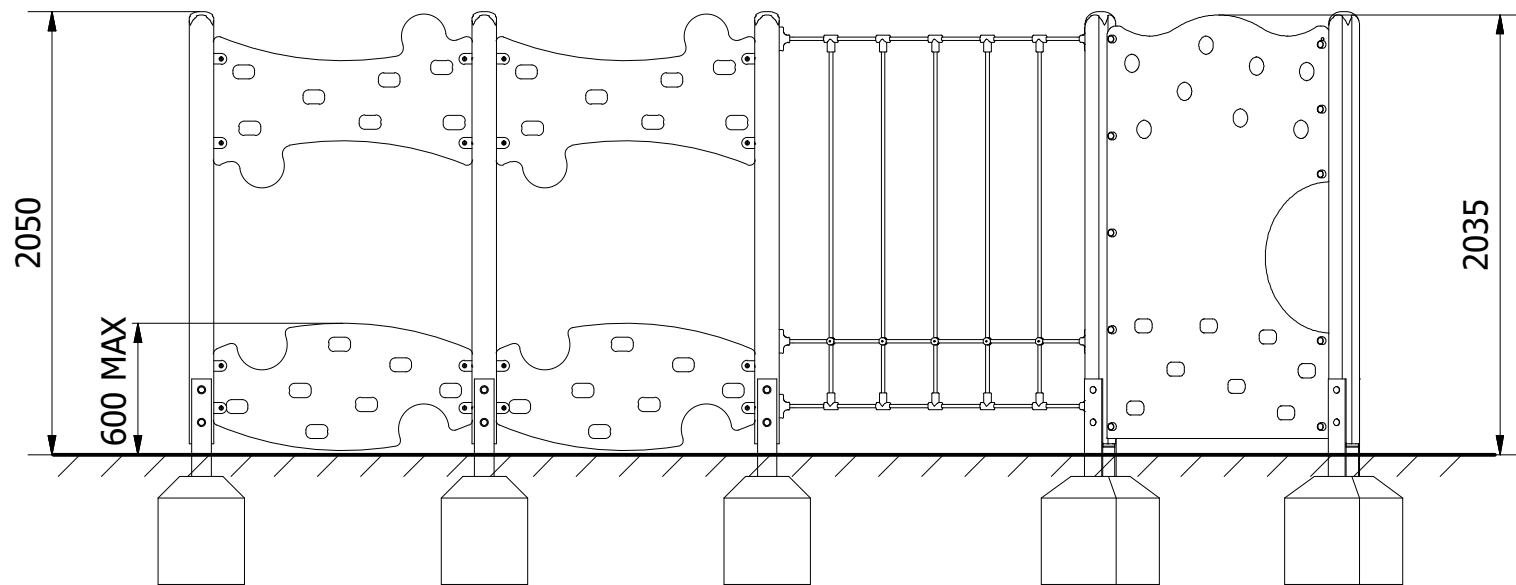
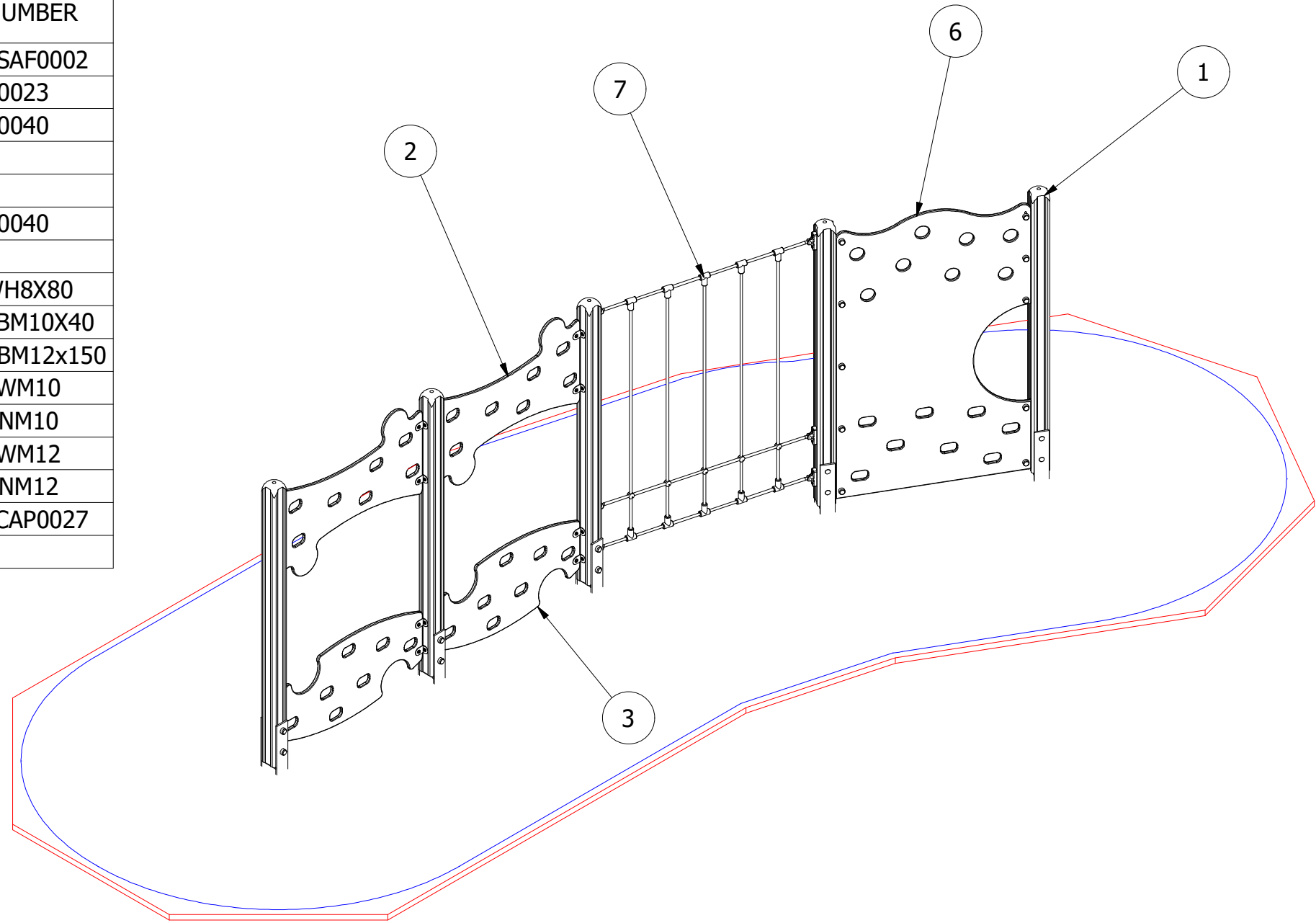


PARTS LIST

ITEM	QTY	PART NUMBER	DESCRIPTION	STOCK NUMBER
1	5	TB-200-943	2000MM X 112MM SAFALOG	COMTIMSAF0002
2	2	PE-400-002	JIGSAW PANEL (UPPER)	COMPOL0023
3	2	PE-400-003	JIGSAW PANEL (LOWER)	COMPOL0040
4	26	MT-300-007	ANGLED BRACKET	
5	5	MT-300-030	POST FOOT (SUIT 112MM)	
6	1	PE-400-157	HDPE TRAVERSE WALL	COMPOL0040
7	1	RS-100-075	NET TRAVERSE	
8	26	M8 X 80 TORX WASHER HEAD	80MM WASHER SCREW	COMA2WH8X80
9	26	M10 X 40 BUTTON HEAD	M10 X 40 (ISO 7380)	COMA2SBM10X40
10	10	M12 X 150 COACH BOLT	M12 X 150 (DIN 603)	COMA2CBM12x150
11	52	M10 WASHER	M10 WASHER (DIN 125)	COMA2FWM10
12	26	M10 NYLOC NUT	M10 NYLOC NUT (DIN 985)	COMA2NNM10
13	10	M12 WASHER	M12 WASHER (DIN 125)	COMA2FWM12
14	10	M12 NYLOC NUT	M12 NYLOC NUT (DIN 985)	COMA2NNM12
15	36	2 PART CAP (YELLOW)	PE CAP	COMPLACAP0027
16	5	400 x 400 x 500	0.08 <sup>3</sup> CONCRETE FOUNDATION	

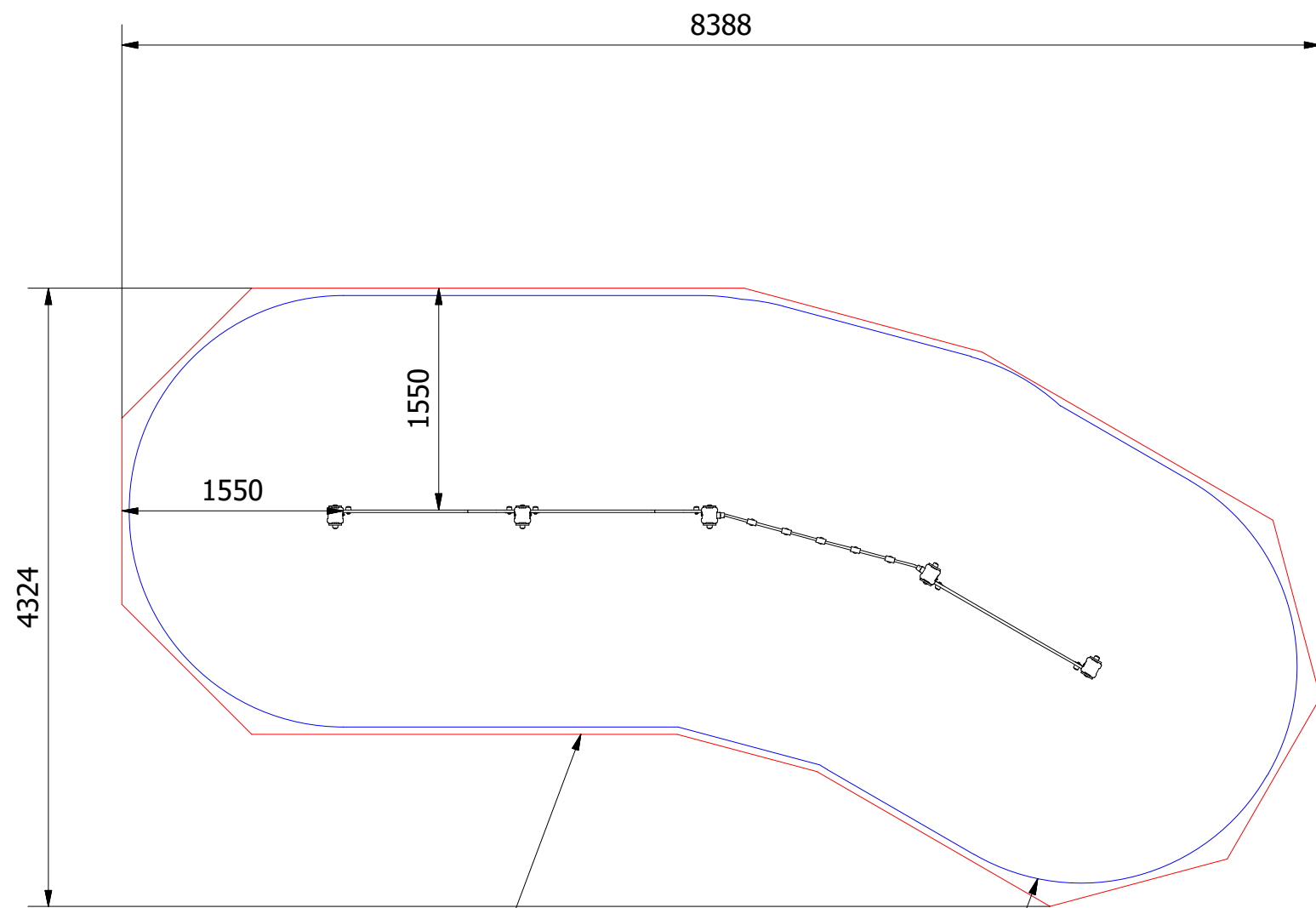


UNLESS OTHERWISE SPECIFIED:  
DIMENSIONS ARE IN MILLIMETERS  
TOLERANCES:  
LINEAR: ±2MM  
1 DECIMAL PLACE: ±0.5MM  
ANGULAR: ±1°

**PROPRIETARY AND CONFIDENTIAL**  
THE INFORMATION CONTAINED IN THIS DRAWING IS THE SOLE PROPERTY OF FENLAND LEISURE PRODUCTS. ANY REPRODUCTION IN PART OR AS A WHOLE WITHOUT THE WRITTEN PERMISSION OF FENLAND LEISURE PRODUCTS IS PROHIBITED.

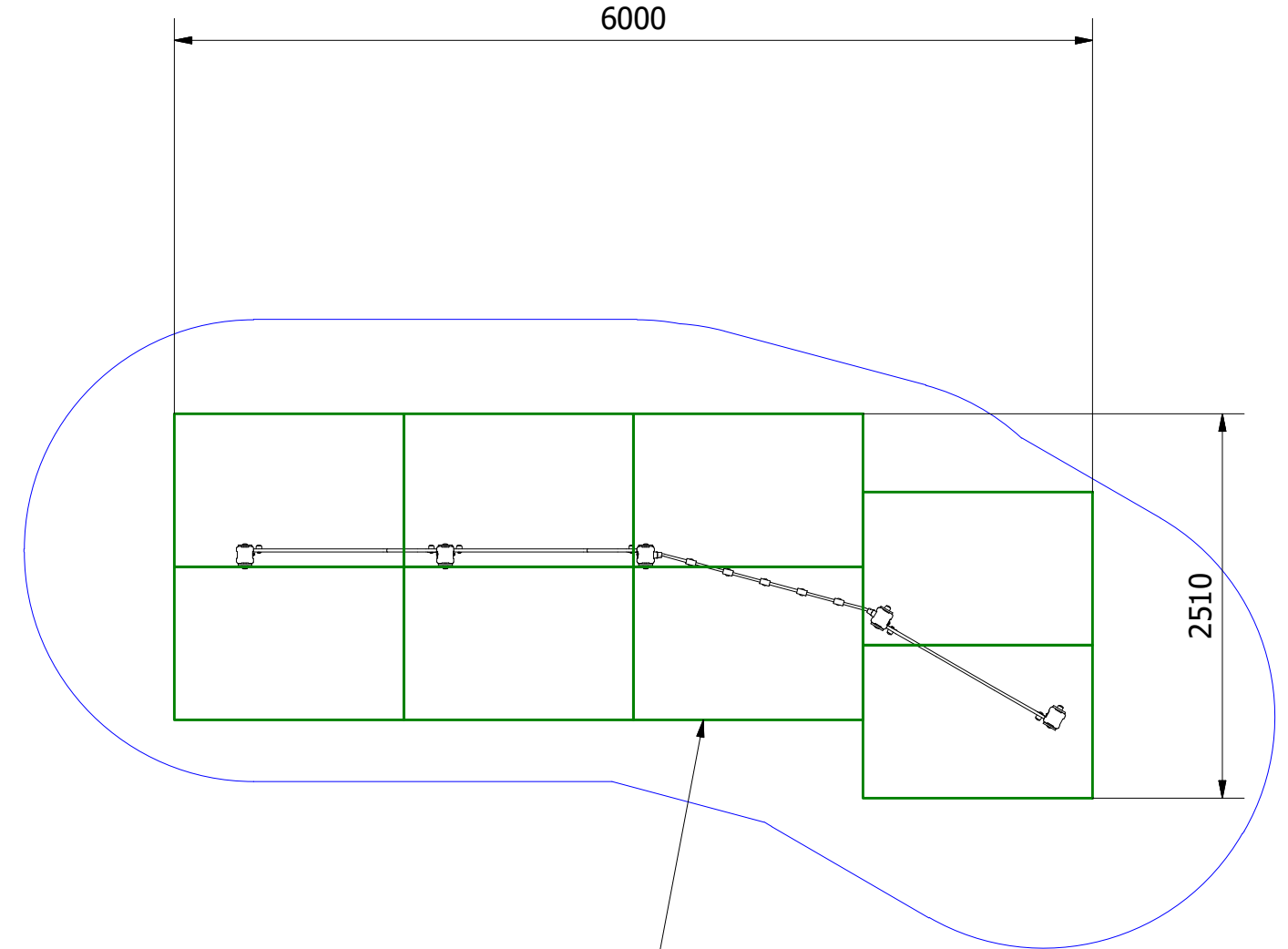
Title: PRO-500-192 - JIGSAW WEAVE		Date: 09/11/2021
Product Range: ECO-TRAIL		Page: 1
0.6M FFH		A3
DO NOT SCALE FROM DRAWING		
Tel: 01354 638359 www.onlineplaygrounds.co.uk		





WETPOUR AREA = 25 M<sup>2</sup>  
 PERIMETER = 21.2 L/M

MIN SPACE



8 SAFAGRASS TILES (1.0M X 1.5M)

UNLESS OTHERWISE SPECIFIED:  
 DIMENSIONS ARE IN MILLIMETERS  
 TOLERANCES:  
 LINEAR: ±2MM  
 1 DECIMAL PLACE: ±0.5MM  
 ANGULAR: ±1°

**PROPRIETARY AND CONFIDENTIAL**  
 THE INFORMATION CONTAINED IN THIS  
 DRAWING IS THE SOLE PROPERTY OF  
 FENLAND LEISURE PRODUCTS. ANY  
 REPRODUCTION IN PART OR AS A WHOLE  
 WITHOUT THE WRITTEN PERMISSION  
 OF FENLAND  
 LEISURE PRODUCTS IS PROHIBITED.

Title: PRO-500-192 - JIGSAW WEAVE

Product Range: ECO-TRAIL

Date:  
 09/11/2021

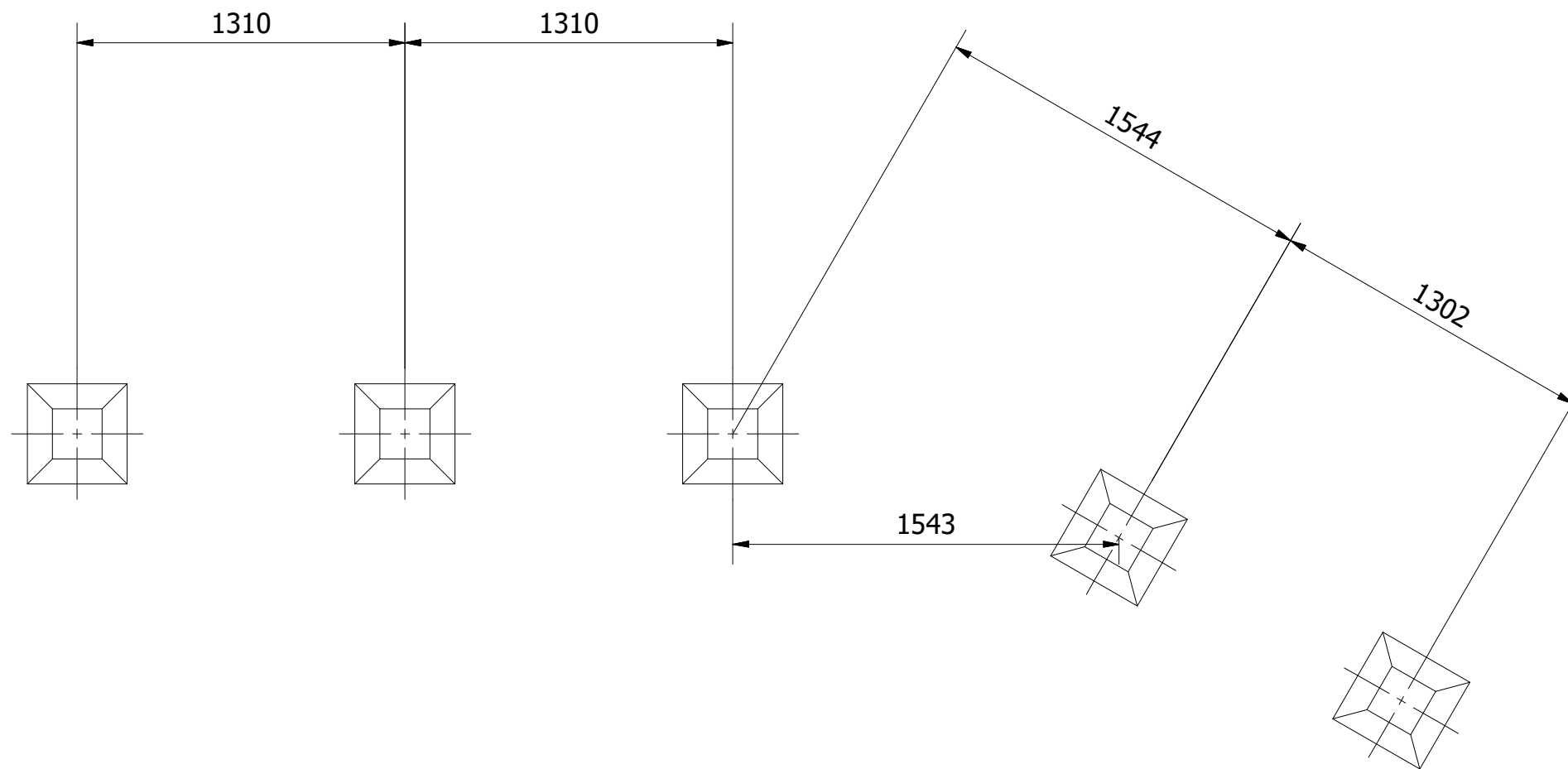
Page: 2

A3



DO NOT SCALE FROM DRAWING

Tel: 01354 638359 www.onlineplaygrounds.co.uk



UNLESS OTHERWISE SPECIFIED:  
DIMENSIONS ARE IN MILLIMETERS  
TOLERANCES:  
LINEAR: ±2MM  
1 DECIMAL PLACE: ±0.5MM  
ANGULAR: ±1°

**PROPRIETARY AND CONFIDENTIAL**  
THE INFORMATION CONTAINED IN THIS  
DRAWING IS THE SOLE PROPERTY OF  
FENLAND LEISURE PRODUCTS. ANY  
REPRODUCTION IN PART OR AS A WHOLE  
WITHOUT THE WRITTEN PERMISSION  
OF FENLAND  
LEISURE PRODUCTS IS PROHIBITED.

Title: PRO-500-192 - JIGSAW WEAVE

Product Range: ECO-TRAIL

Date:  
09/11/2021

Page: 3

A3

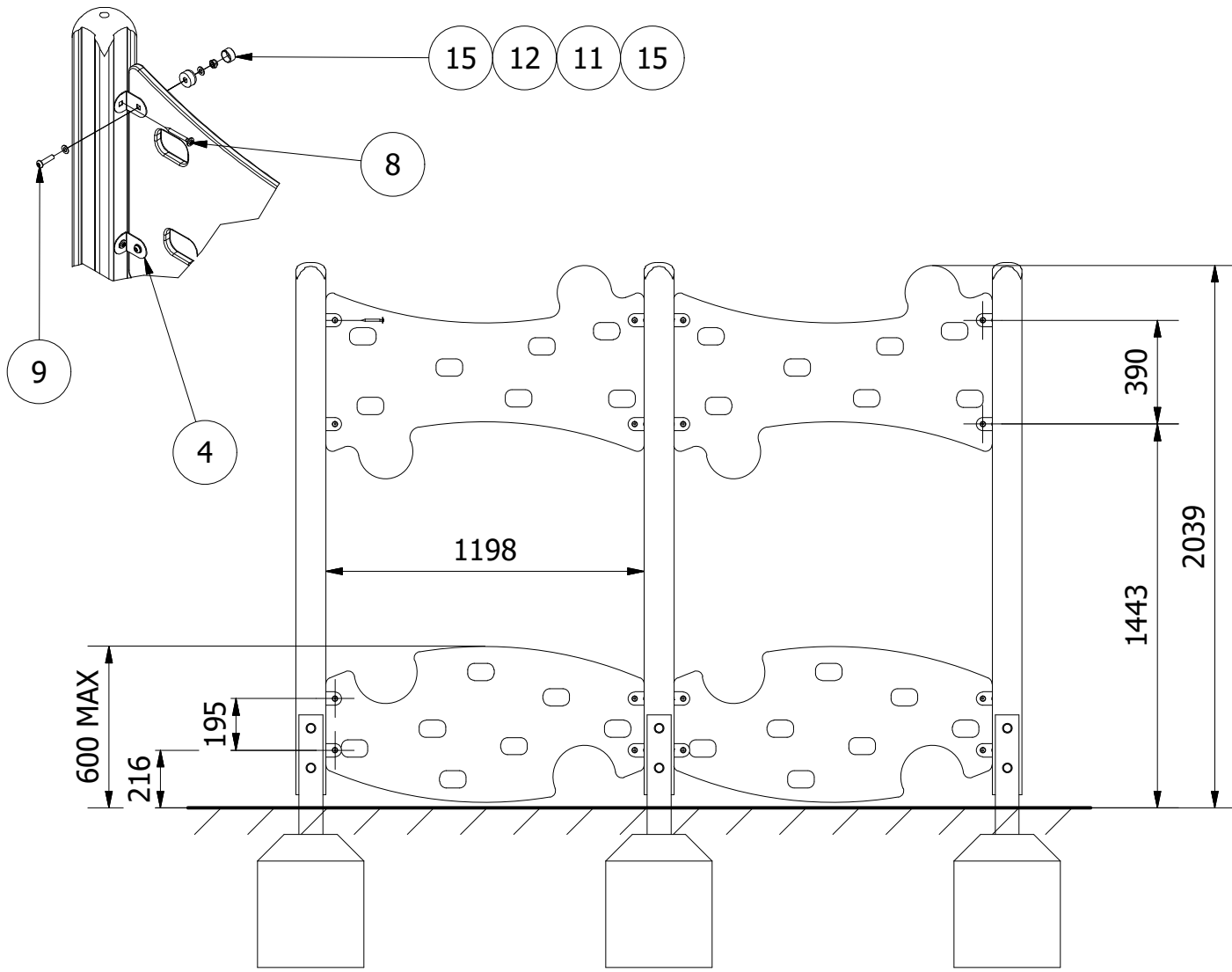


DO NOT SCALE FROM DRAWING

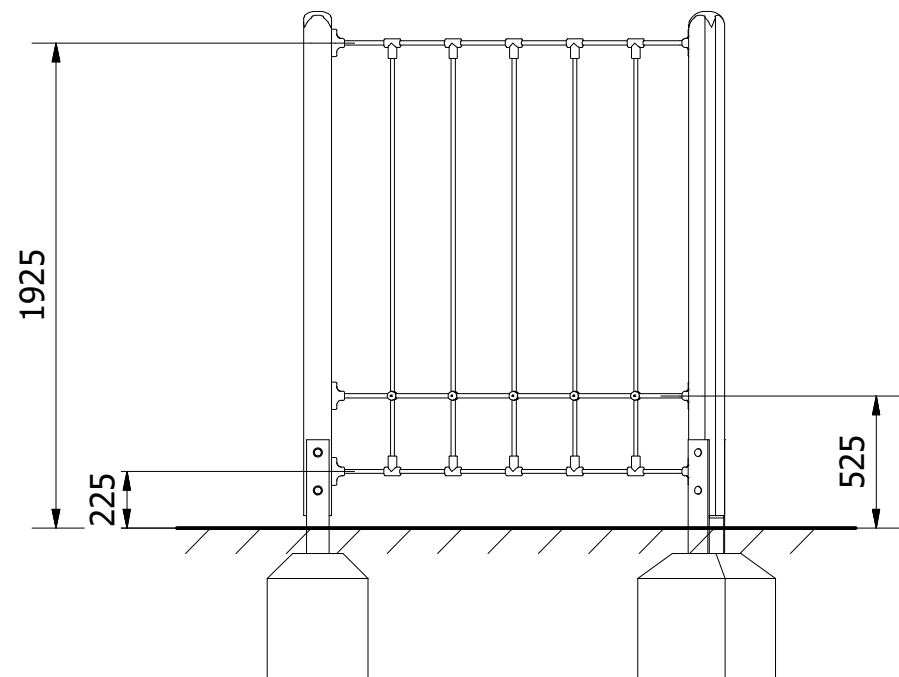
Tel: 01354 638359 www.onlineplaygrounds.co.uk

ALL FOUNDATIONS 400 X 400 X 600 DEEP UNLESS OTHERWISE SPECIFIED

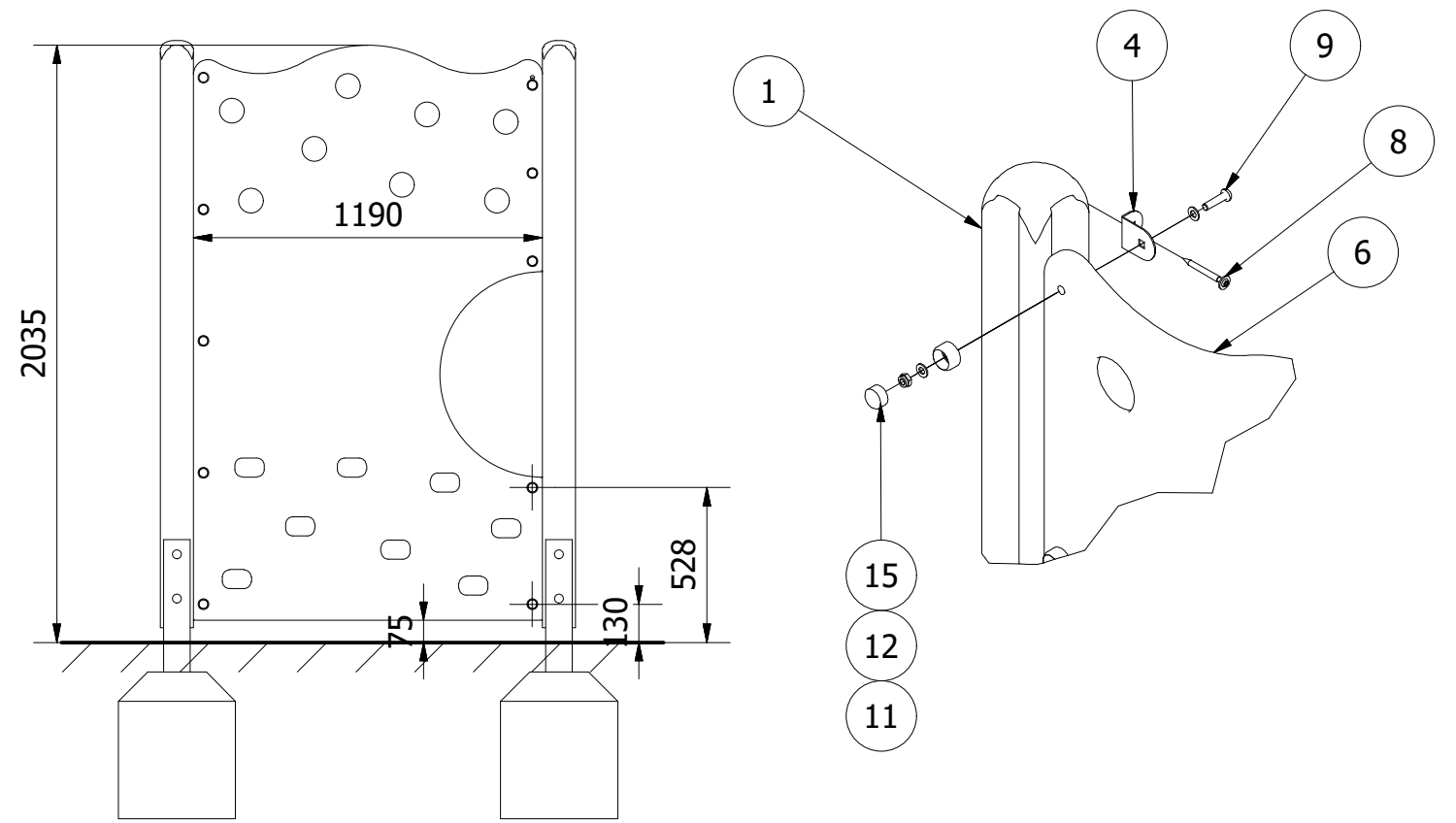
1. POSITION AND BRACE THE UPRIGHT POSTS INTO THE FOUNDATION HOLES. AS SHOWN BELOW, SECURE THE JIGSAW PANELS BETWEEN THE THREE UPRIGHT POSTS.



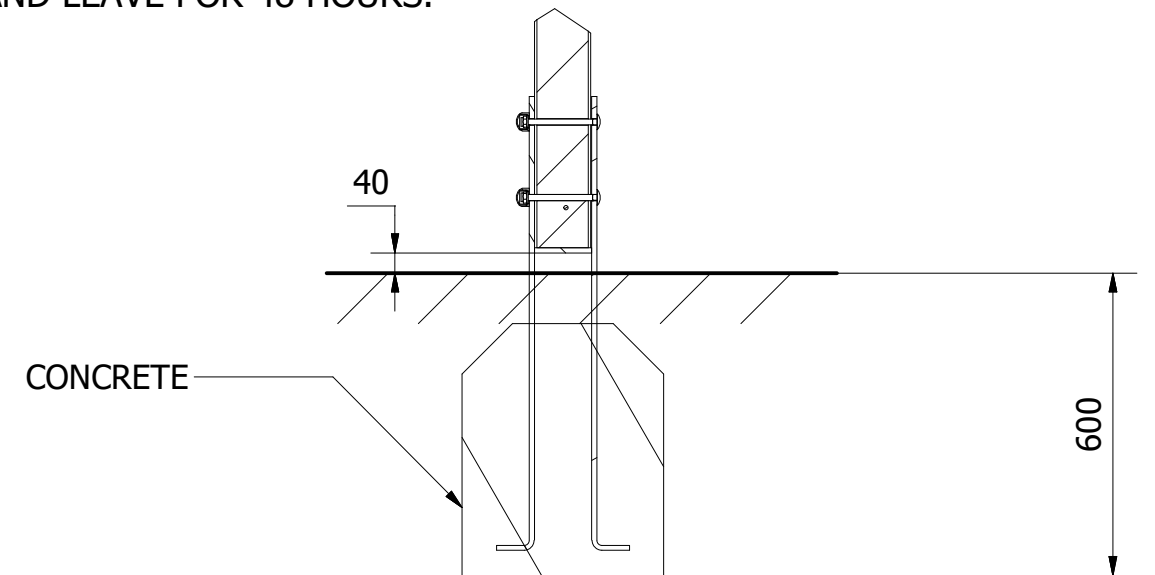
2. SECURE THE TRAVERSE ROPE TO THE NEXT TWO UPRIGHT POSTS.



3. SECURE THE TRAVERSE ROPE TO THE NEXT TWO UPRIGHT POSTS.



4. FINALLY, ENSURE THE UNIT IS LEVEL AND PLUMB, ALL FIXINGS HAVE BEEN TIGHTENED PROTECTIVE CAPS IN PLACE AND ROPE S TAUT. ADD CONCRETE TO EACH FOUNDATION HOLE AND LEAVE FOR 48 HOURS.



UNLESS OTHERWISE SPECIFIED:  
DIMENSIONS ARE IN MILLIMETERS  
TOLERANCES:  
LINEAR: ±2MM  
1 DECIMAL PLACE: ±0.5MM  
ANGULAR: ±1°

PROPRIETARY AND CONFIDENTIAL

THE INFORMATION CONTAINED IN THIS DRAWING IS THE SOLE PROPERTY OF FENLAND LEISURE PRODUCTS. ANY REPRODUCTION IN PART OR AS A WHOLE WITHOUT THE WRITTEN PERMISSION OF FENLAND LEISURE PRODUCTS IS PROHIBITED.

Title: PRO-500-192 - JIGSAW WEAVE

Product Range: ECO-TRAIL

Date:  
09/11/2021

Page: 4

A3



DO NOT SCALE FROM DRAWING

Tel: 01354 638359 www.onlineplaygrounds.co.uk