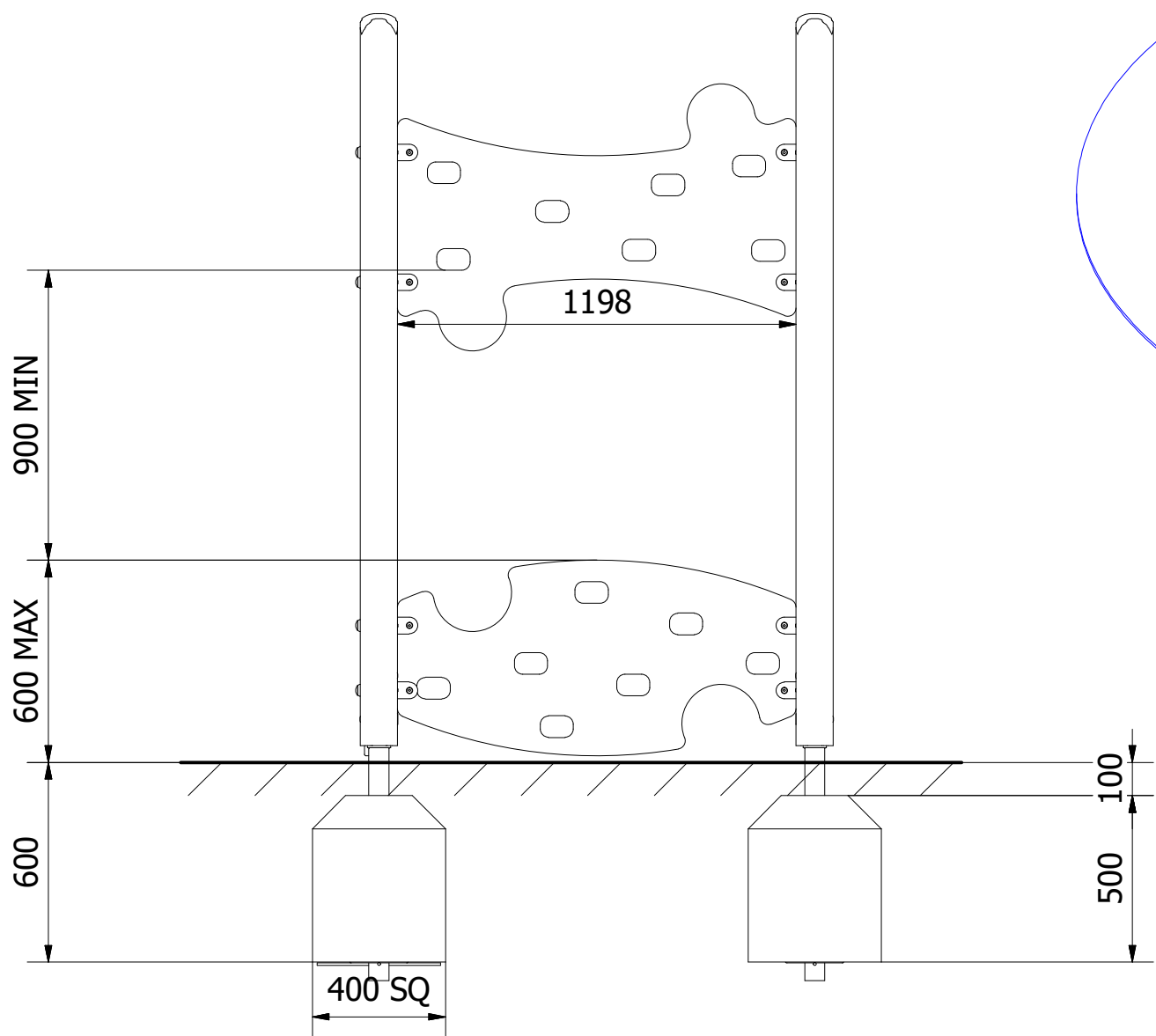
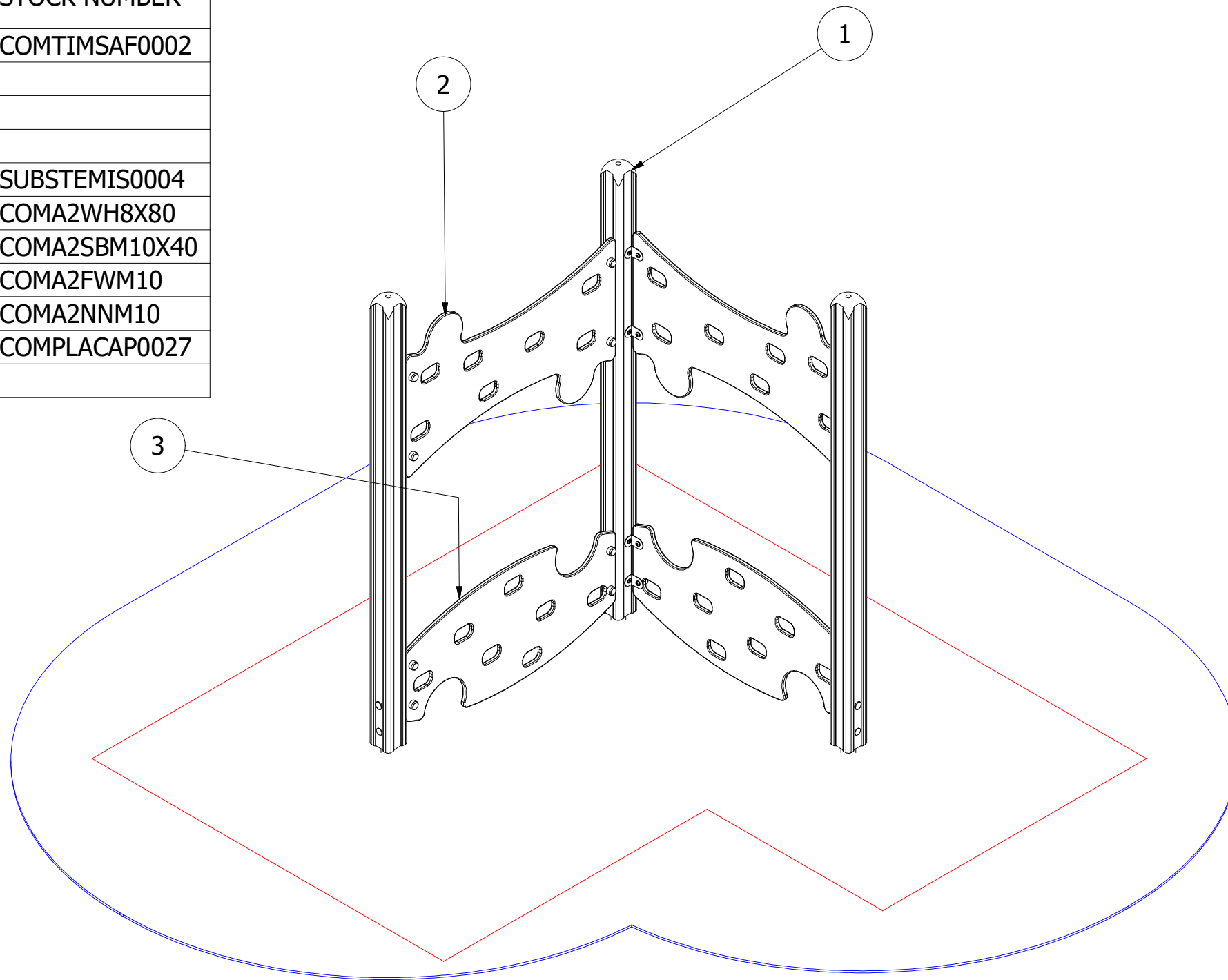


PARTS LIST

ITEM	QTY	PART NUMBER	DESCRIPTION	STOCK NUMBER
1	3	TB-200-032_B	2700 (2200 PF) X 112MM SAFALOG	COMTIMSAF0002
2	2	PE-400-002	JIGSAW PANEL (UPPER)	
3	2	PE-400-003	JIGSAW PANEL (LOWER)	
4	16	MT-300-007	ANGLED BRACKET	
5	3	MOD-600-116 GROUND FOOT	GROUND FOOT (112)	SUBSTEMIS0004
6	16	M8 X 80 TORX WASHER HEAD	80MM WASHER SCREW	COMA2WH8X80
7	16	M10 X 40 BUTTON HEAD	M10 X 40 (ISO 7380)	COMA2SBM10X40
8	32	M10 WASHER	M10 WASHER (DIN 125)	COMA2FWM10
9	16	M10 NYLOC NUT	M10 NYLOC NUT (DIN 985)	COMA2NNM10
10	16	2 PART CAP (YELLOW)	PE CAP	COMPLACAP0027
11	3	400 x 400 x 500	0.08 ³ CONCRETE FOUNDATION	



UNLESS OTHERWISE SPECIFIED:
DIMENSIONS ARE IN MILLIMETERS
TOLERANCES:
LINEAR: ±2MM
1 DECIMAL PLACE: ±0.5MM
ANGULAR: ±1°

PROPRIETARY AND CONFIDENTIAL
THE INFORMATION CONTAINED IN THIS
DRAWING IS THE SOLE PROPERTY OF
FENLAND LEISURE PRODUCTS. ANY
REPRODUCTION IN PART OR AS A WHOLE
WITHOUT THE WRITTEN PERMISSION
OF FENLAND
LEISURE PRODUCTS IS PROHIBITED.

Title: MOD-600-006 - JIGSAW TRAVERSE_SF

Product Range: ECO TRAIL

Date:
04/07/2017

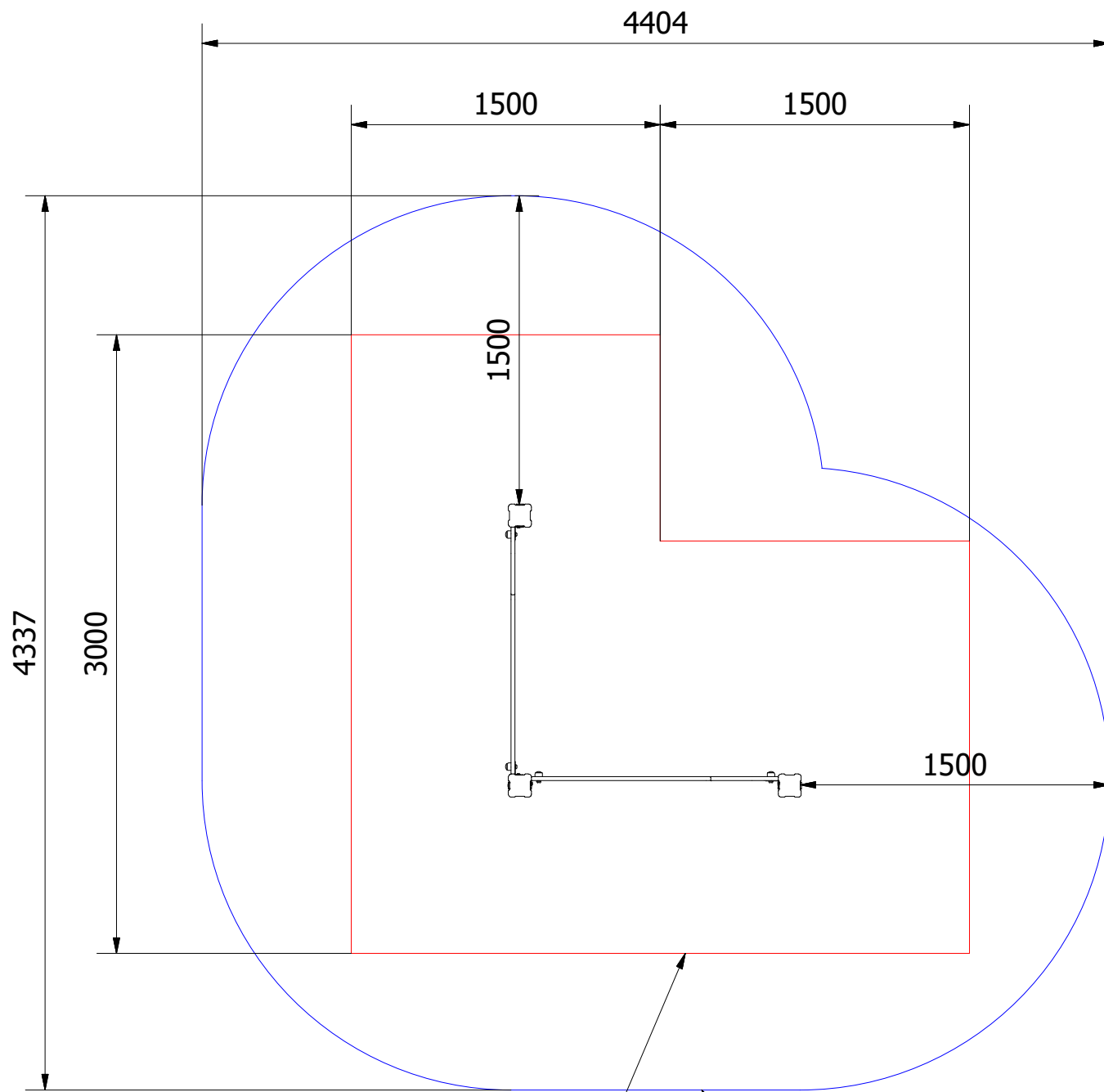
Page:

A3



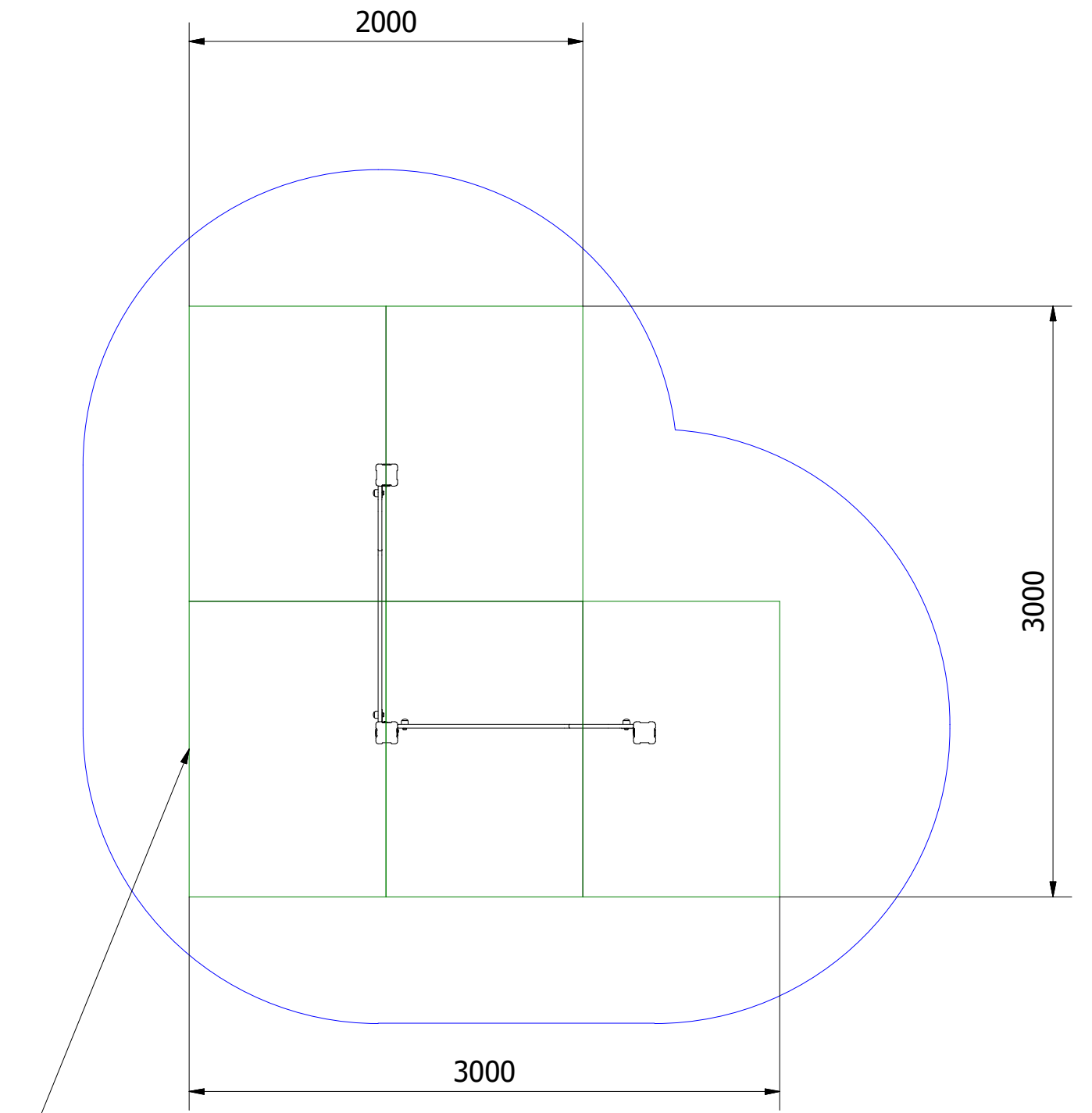
DO NOT SCALE FROM DRAWING

Tel: 01354 638359 www.onlineplaygrounds.co.uk





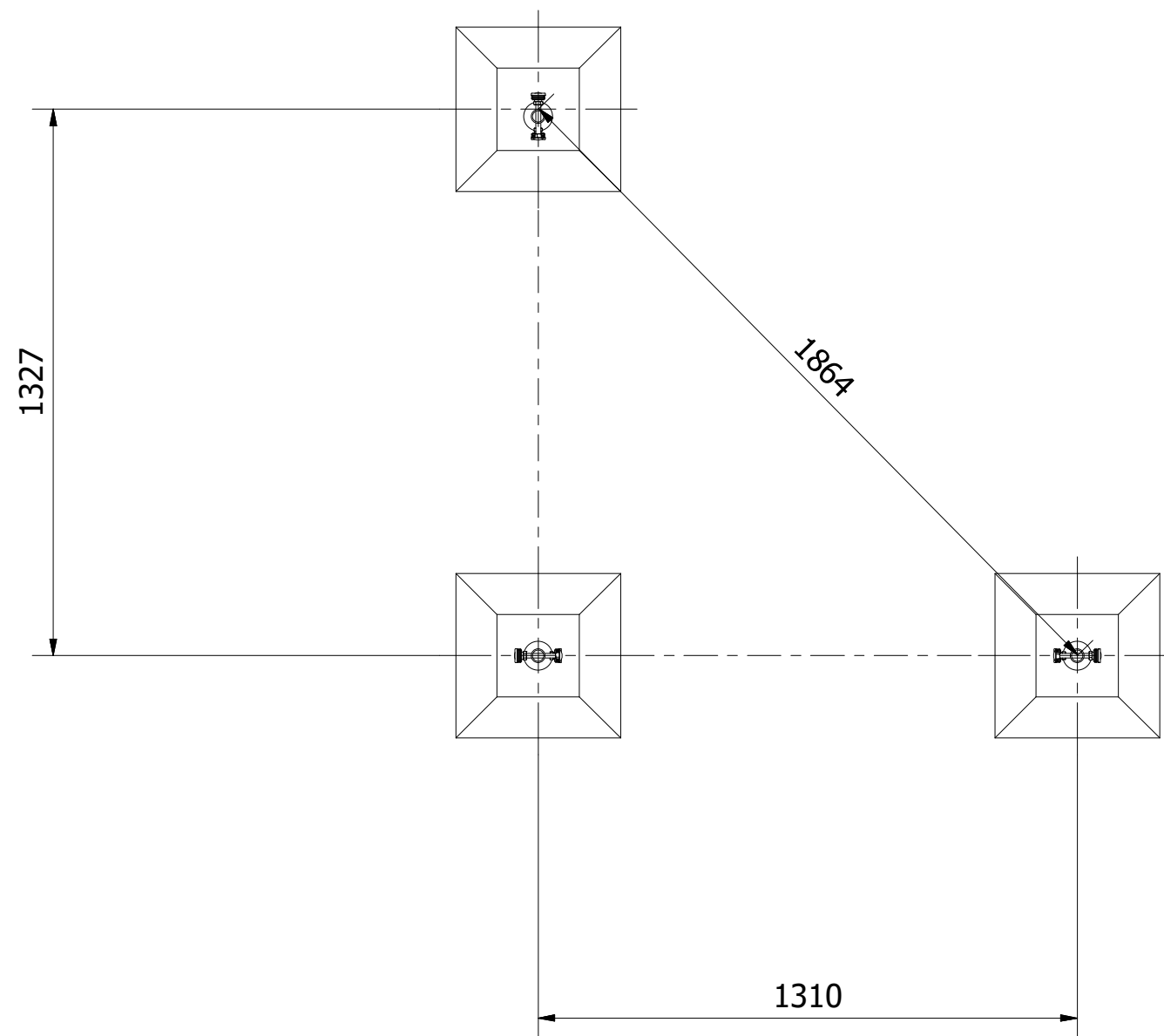
WETPOUR AREA = 7.5M²
 PERIMETER = 12 L/M

MIN SPACE



5 SAFAGRASS TILES (1.5M X 1.0M)

UNLESS OTHERWISE SPECIFIED: DIMENSIONS ARE IN MILLIMETERS TOLERANCES: LINEAR: ±2MM 1 DECIMAL PLACE: ±0.5MM ANGULAR: ±1°	PROPRIETARY AND CONFIDENTIAL THE INFORMATION CONTAINED IN THIS DRAWING IS THE SOLE PROPERTY OF FENLAND LEISURE PRODUCTS. ANY REPRODUCTION IN PART OR AS A WHOLE WITHOUT THE WRITTEN PERMISSION OF FENLAND LEISURE PRODUCTS IS PROHIBITED.	Title: MOD-600-006 - JIGSAW TRAVERSE_SF	
		Product Range: ECO TRAIL	
		Date: 04/07/2017	
		Page: A3	
		DO NOT SCALE FROM DRAWING	
		Tel: 01354 638359 www.onlineplaygrounds.co.uk	



UNLESS OTHERWISE SPECIFIED:
DIMENSIONS ARE IN MILLIMETERS
TOLERANCES:
LINEAR: ±2MM
1 DECIMAL PLACE: ±0.5MM
ANGULAR: ±1°

PROPRIETARY AND CONFIDENTIAL
THE INFORMATION CONTAINED IN THIS
DRAWING IS THE SOLE PROPERTY OF
FENLAND LEISURE PRODUCTS. ANY
REPRODUCTION IN PART OR AS A WHOLE
WITHOUT THE WRITTEN PERMISSION
OF FENLAND
LEISURE PRODUCTS IS PROHIBITED.

Title: **MOD-600-006 - JIGSAW TRAVERSE_SF**

Product Range: **ECO TRAIL**

Date:
04/07/2017

Page:
A3

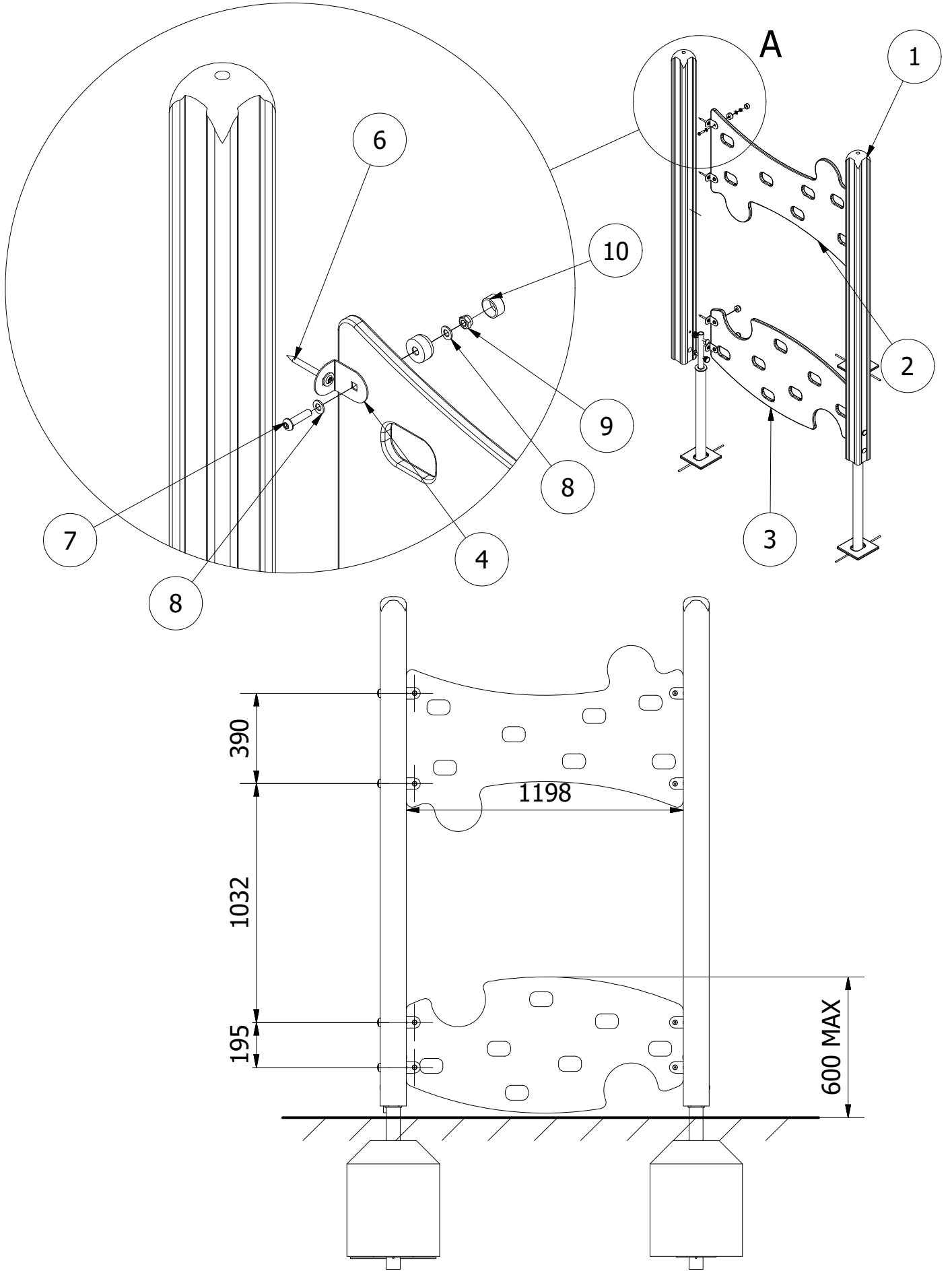


DO NOT SCALE FROM DRAWING

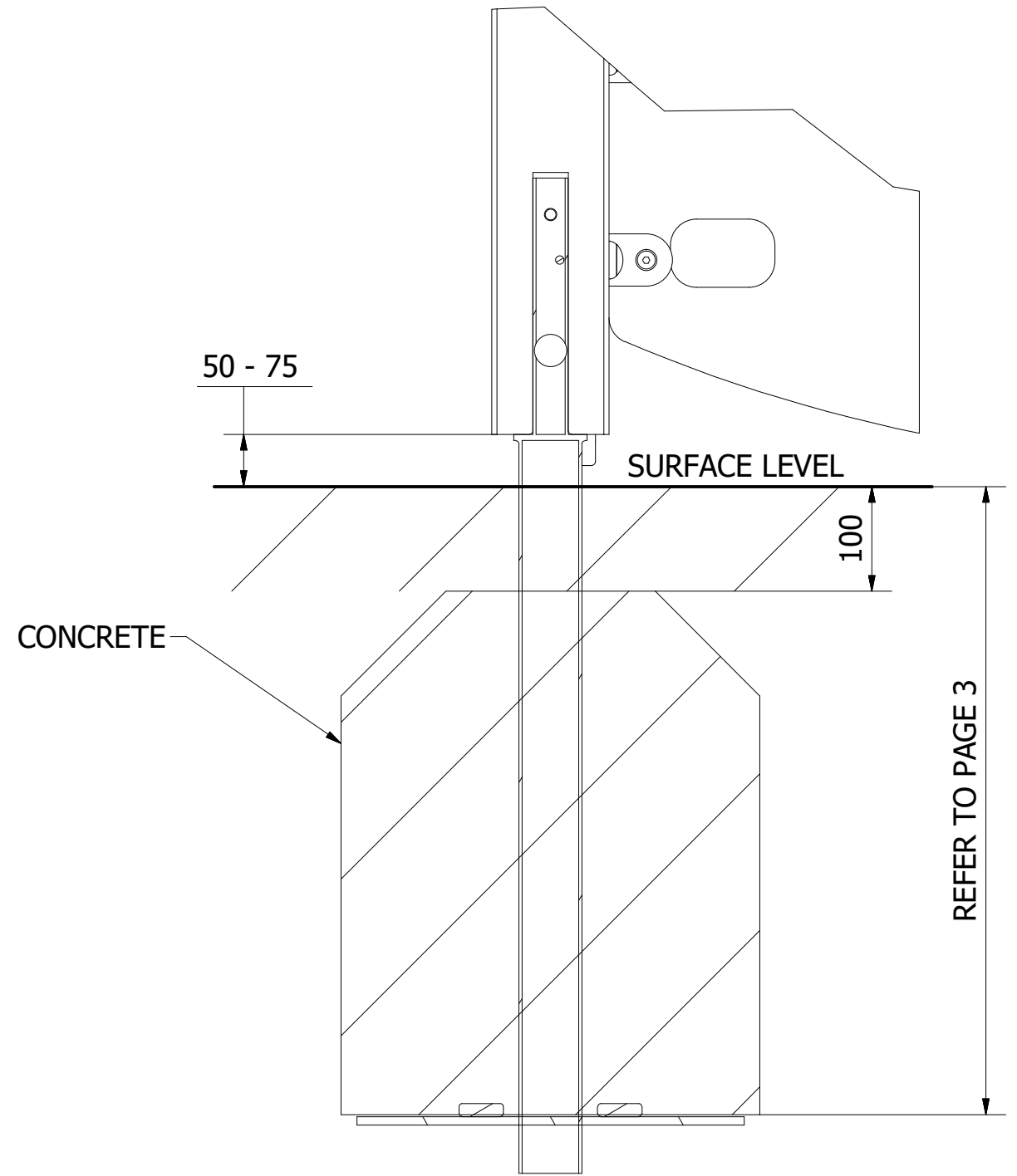
Tel: 01354 638359 www.onlineplaygrounds.co.uk


ALL FOUNDATIONS 400 X 400 X 600 DEEP UNLESS OTHERWISE SPECIFIED

1. POSITION EACH UPRIGHT POST INTO THE FOUNDATIONS HOLES. (TO ASSIST, IF POSSIBLE, USE FAST SET CONCRETE TO SET ONE POST IN PLACE ENSURING IT IS LEVEL & PLUMB).
2. USE THE SUPPLIED BRACKETS AND FIXINGS TO SECURE THE HDPE PANELS TO THE INSIDES OF THE POSTS.



3. FINALLY, ENSURE UNIT IS LEVEL AND PLUMB, ALL FIXINGS HAVE BEEN TIGHTENED AND PROTECTIVE CAPS IN PLACE. ADD CONCRETE TO EACH FOUNDATION HOLE AND LEAVE FOR 48 HOURS



UNLESS OTHERWISE SPECIFIED: DIMENSIONS ARE IN MILLIMETERS TOLERANCES: LINEAR: ±2MM 1 DECIMAL PLACE: ±0.5MM ANGULAR: ±1°	PROPRIETARY AND CONFIDENTIAL THE INFORMATION CONTAINED IN THIS DRAWING IS THE SOLE PROPERTY OF FENLAND LEISURE PRODUCTS. ANY REPRODUCTION IN PART OR AS A WHOLE WITHOUT THE WRITTEN PERMISSION OF FENLAND LEISURE PRODUCTS IS PROHIBITED.	Title: MOD-600-006 - JIGSAW TRAVERSE_SF	
		Product Range: ECO TRAIL	
		Date: 04/07/2017	
		Page: A3	
DO NOT SCALE FROM DRAWING		Tel: 01354 638359 www.onlineplaygrounds.co.uk	