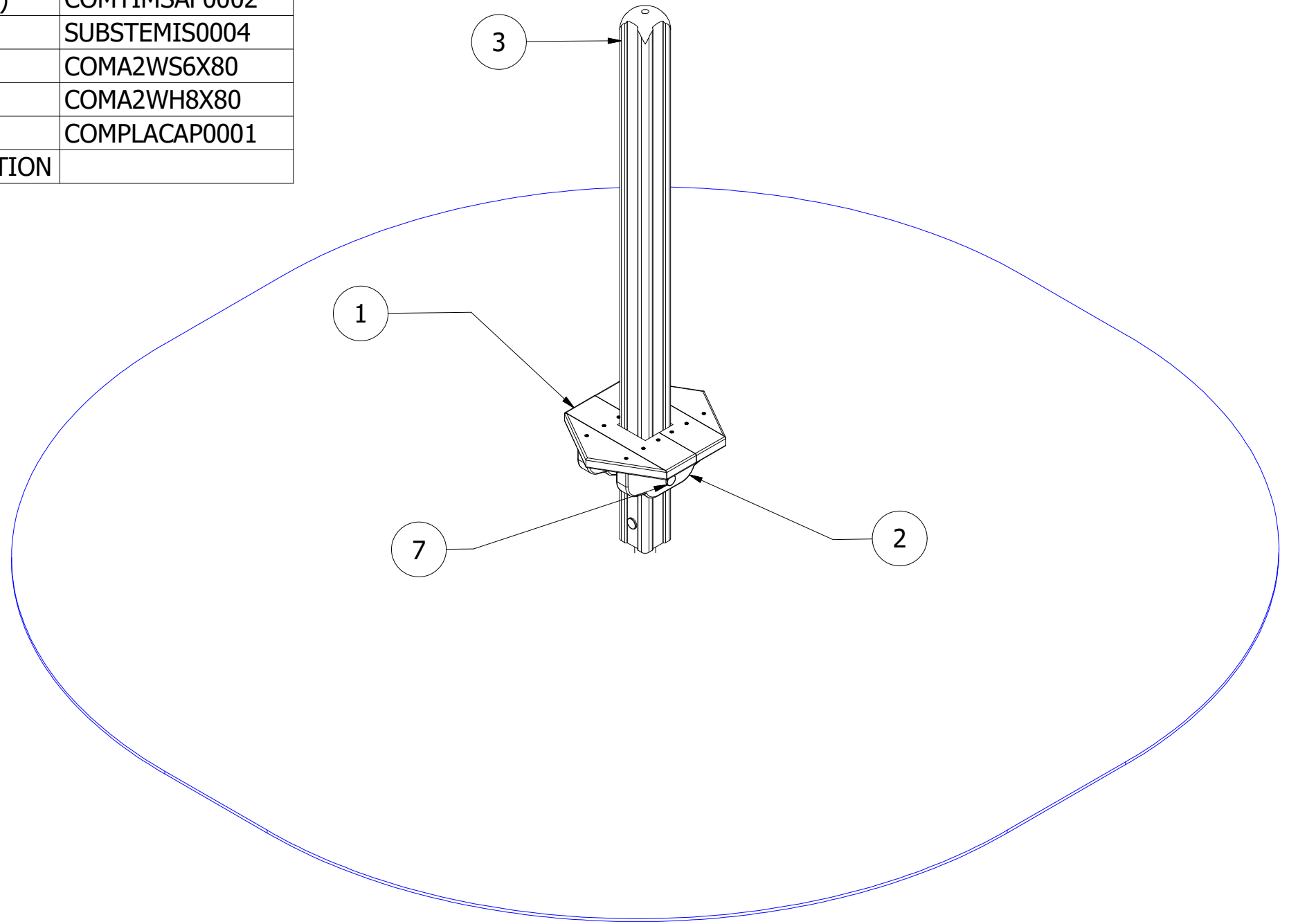
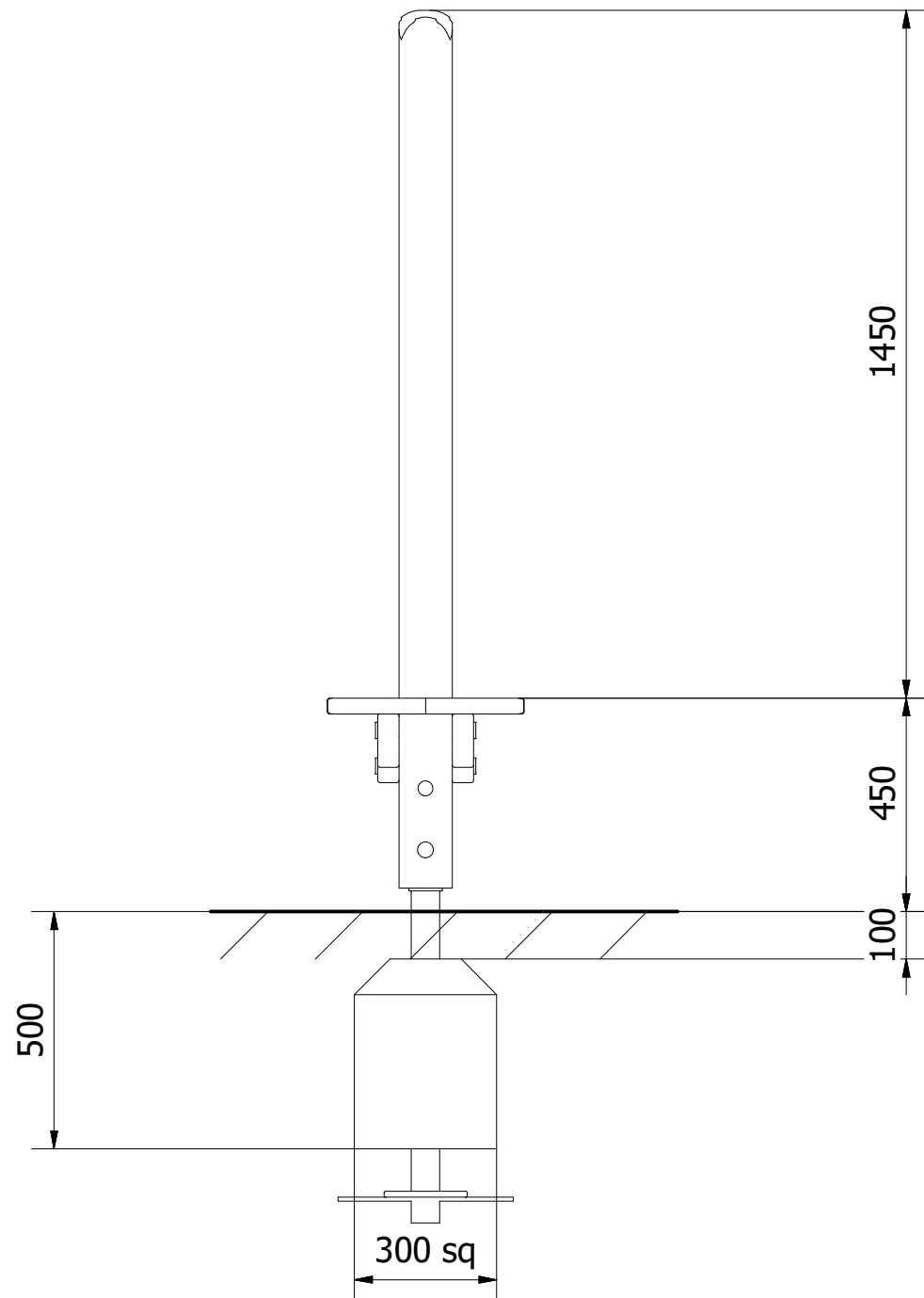


PARTS LIST

ITEM	QTY	PART NUMBER	DESCRIPTION	STOCK NUMBER
1	1	TB-200-024	415 x 120 x 33	COMTIMSAW0017
2	2	TB-200-025	350 x 145 x 45	COMTIMSAW0005
3	1	TB-200-049_B	1850 X 112MM (POST INSERT)	COMTIMSAF0002
4	1	MOD-600-116 GROUND FOOT	GROUND FOOT (112)	SUBSTEMIS0004
5	12	M6 X 80 TORX WOODSCREW	80MM TORX WOODSCREW	COMA2WS6X80
6	4	M8 X 80 TORX WASHER HEAD	80MM WASHER SCREW	COMA2WH8X80
7	4	30MM BOLT COVER	30MM BLACK CAP	COMPLACAP0001
8	1	300 x 300 x 400	0.036M ³ CONCRETE FOUNDATION	



UNLESS OTHERWISE SPECIFIED:
DIMENSIONS ARE IN MILLIMETERS
TOLERANCES:
LINEAR: ±2MM
1 DECIMAL PLACE: ±0.5MM
ANGULAR: ±1°

PROPRIETARY AND CONFIDENTIAL
THE INFORMATION CONTAINED IN THIS DRAWING IS THE SOLE PROPERTY OF FENLAND LEISURE PRODUCTS. ANY REPRODUCTION IN PART OR AS A WHOLE WITHOUT THE WRITTEN PERMISSION OF FENLAND LEISURE PRODUCTS IS PROHIBITED.

Title: MOD-600-004 - BALANCE STATION

Product Range: ECO TRAIL

REV.B

Date: 14/07/2020

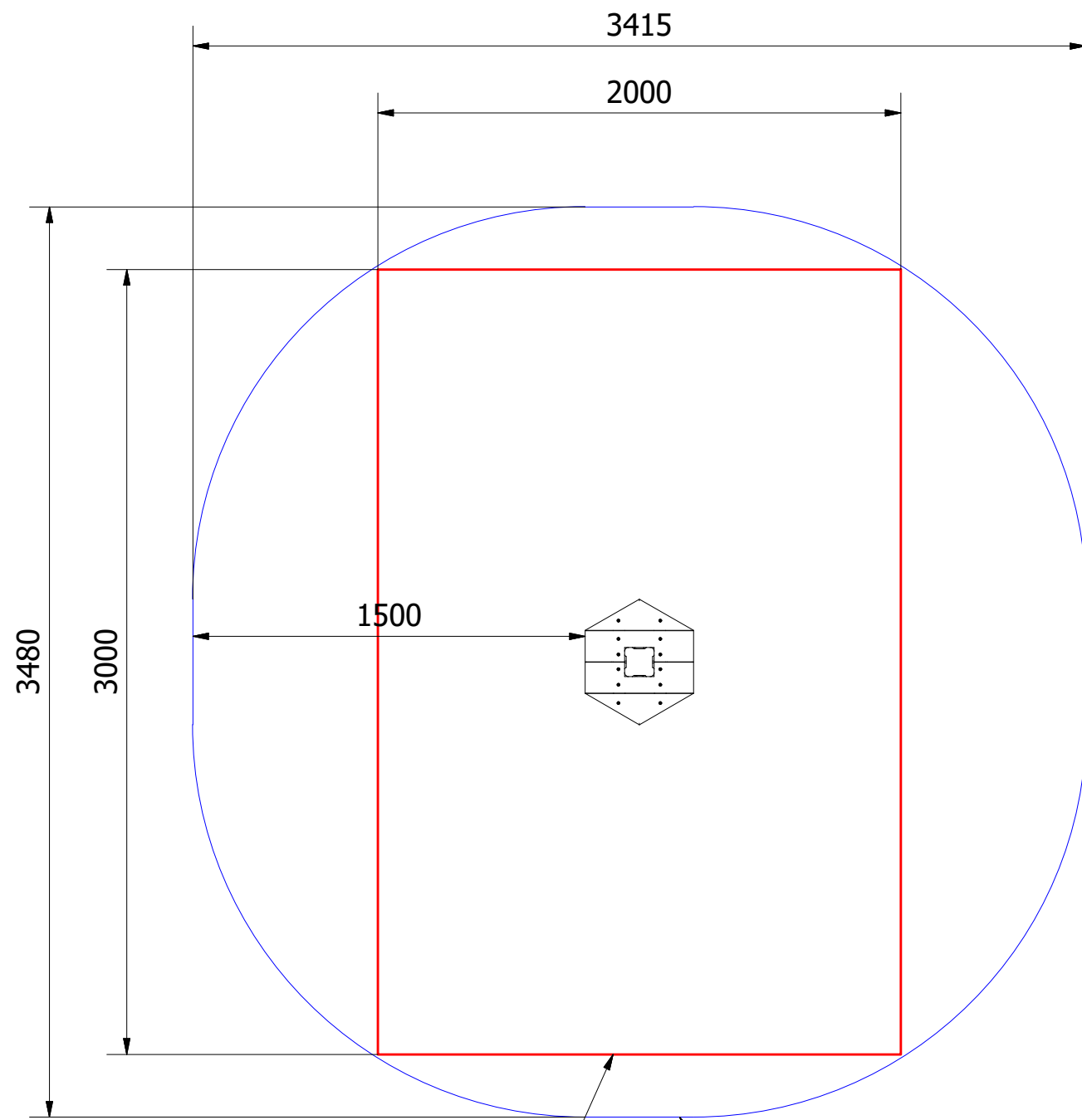
Page: 1

A3



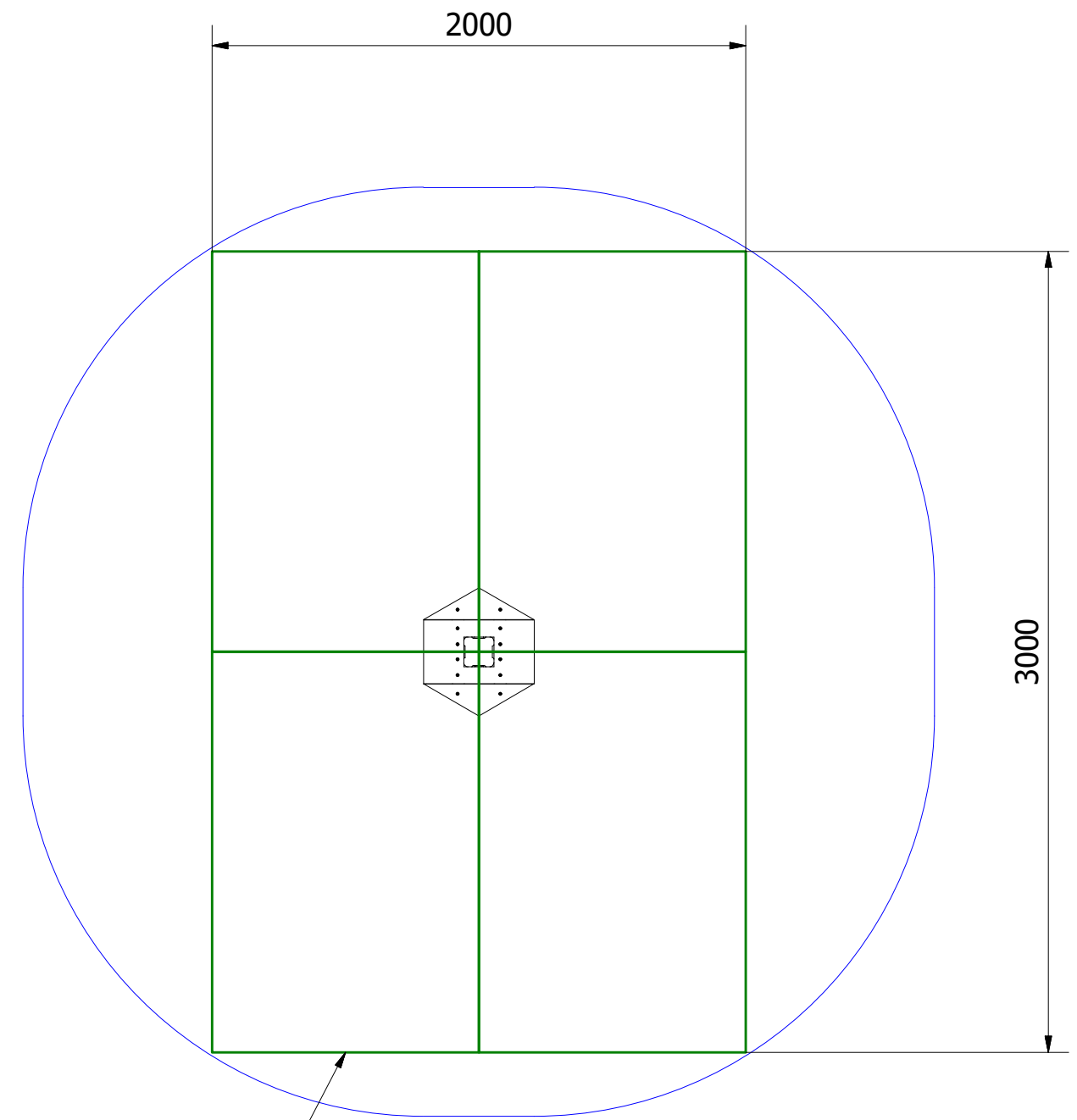
DO NOT SCALE FROM DRAWING

Tel: 01354 638359 www.onlineplaygrounds.co.uk



WETPOUR AREA = 6.0M²
PERIMETER = 10 L/M

MIN SPACE



4 SAFAGRASS TILES
(1.5M X 1.0M)

UNLESS OTHERWISE SPECIFIED:
DIMENSIONS ARE IN MILLIMETERS
TOLERANCES:
LINEAR: ±2MM
1 DECIMAL PLACE: ±0.5MM
ANGULAR: ±1°

PROPRIETARY AND CONFIDENTIAL
THE INFORMATION CONTAINED IN THIS
DRAWING IS THE SOLE PROPERTY OF
FENLAND LEISURE PRODUCTS. ANY
REPRODUCTION IN PART OR AS A WHOLE
WITHOUT THE WRITTEN PERMISSION
OF FENLAND
LEISURE PRODUCTS IS PROHIBITED.

Title: **MOD-600-004 - BALANCE STATION**

Product Range: **ECO TRAIL**

Date:
14/07/2020

Page: 2

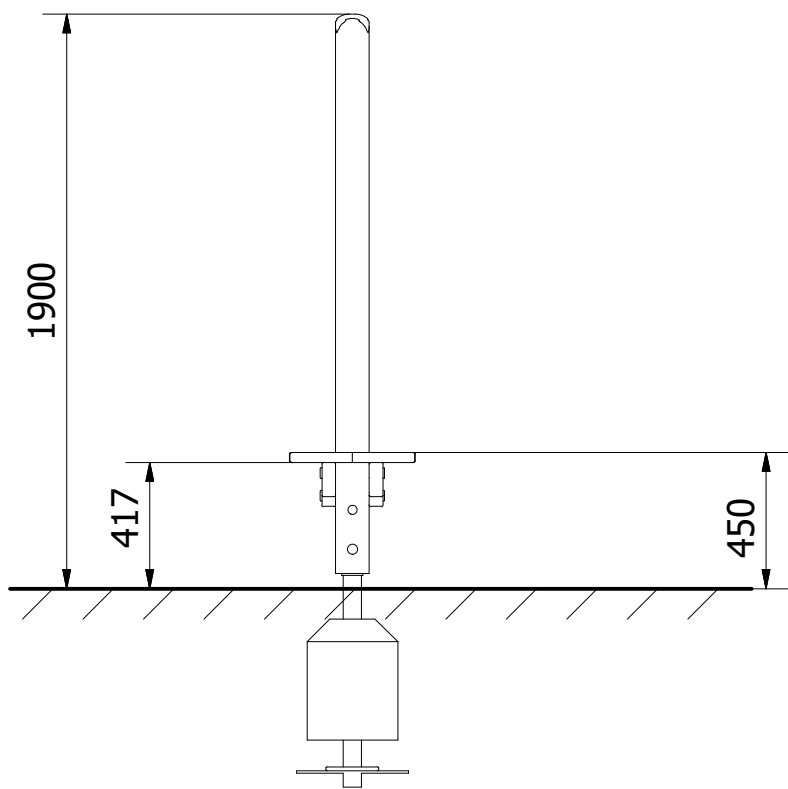
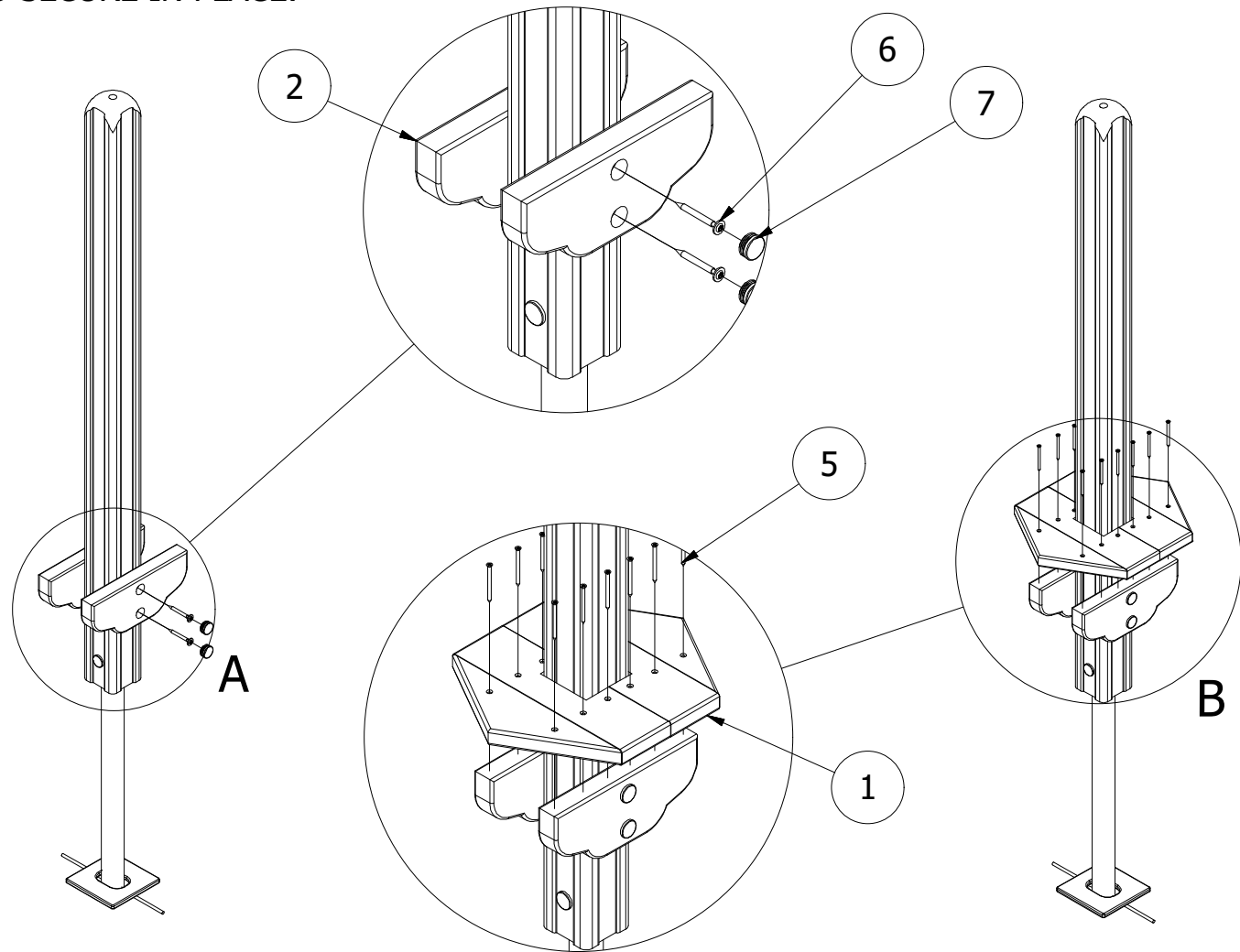
A3



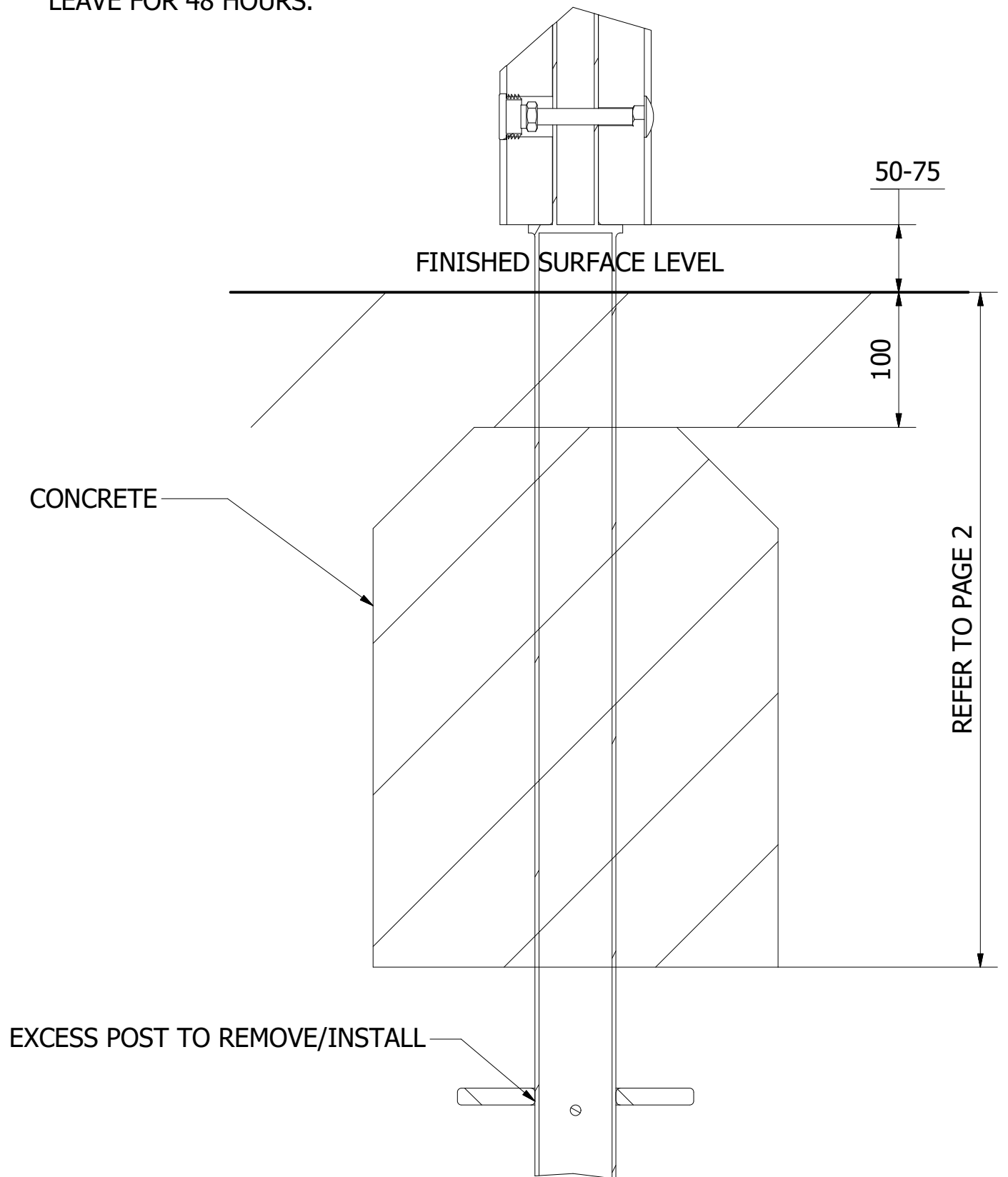
DO NOT SCALE FROM DRAWING

Tel: 01354 638359 www.onlineplaygrounds.co.uk

1. AS SHOWN BELOW, POSITION THE TWO SUPPORT TIMBERS (ITEM 2) EITHER SIDE OF THE UPRIGHT POST AND SECURE IN PLACE USING THE SUPPLIED FIXINGS.
2. POSITION THE DECKING ON THE SUPPORT TIMBERS AND USE THE SUPPLIED SCREWS TO SECURE IN PLACE.



3. FINALLY, ENSURE THE UNIT IS LEVEL AND PLUMB. ALL FIXINGS HAVE BEEN TIGHTENED AND PROTECTIVE CAPS IN PLACE. ADD CONCRETE TO EACH FOUNDATION HOLE AND LEAVE FOR 48 HOURS.



UNLESS OTHERWISE SPECIFIED: DIMENSIONS ARE IN MILLIMETERS TOLERANCES: LINEAR: ±2MM 1 DECIMAL PLACE: ±0.5MM ANGULAR: ±1°	PROPRIETARY AND CONFIDENTIAL THE INFORMATION CONTAINED IN THIS DRAWING IS THE SOLE PROPERTY OF FENLAND LEISURE PRODUCTS. ANY REPRODUCTION IN PART OR AS A WHOLE WITHOUT THE WRITTEN PERMISSION OF FENLAND LEISURE PRODUCTS IS PROHIBITED.	Title: MOD-600-004 - BALANCE STATION	
		Product Range: ECO TRAIL	
		Date:	14/07/2020
		Page:	3
		DO NOT SCALE FROM DRAWING	
Tel: 01354 638359 www.onlineplaygrounds.co.uk		A3	