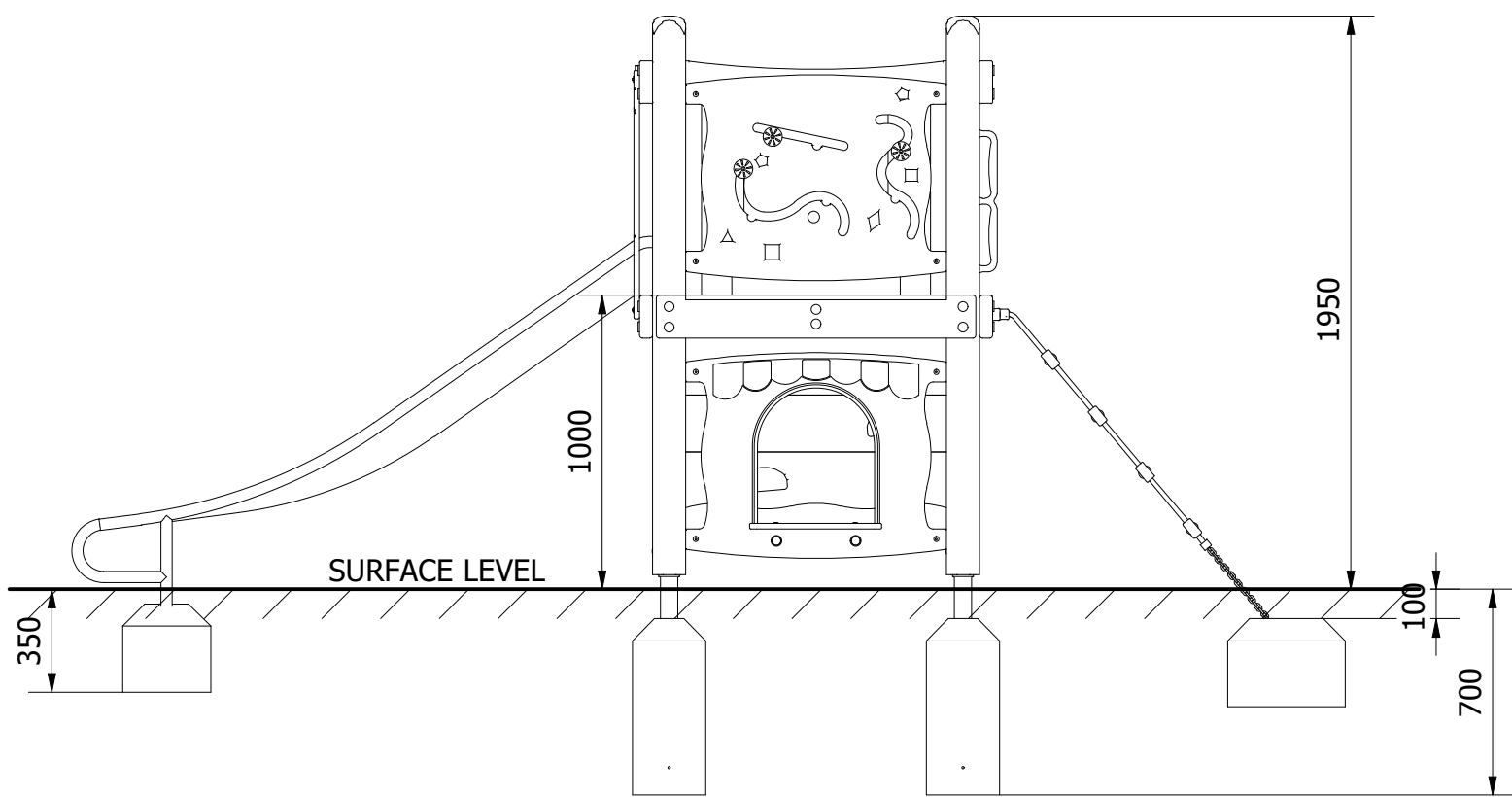
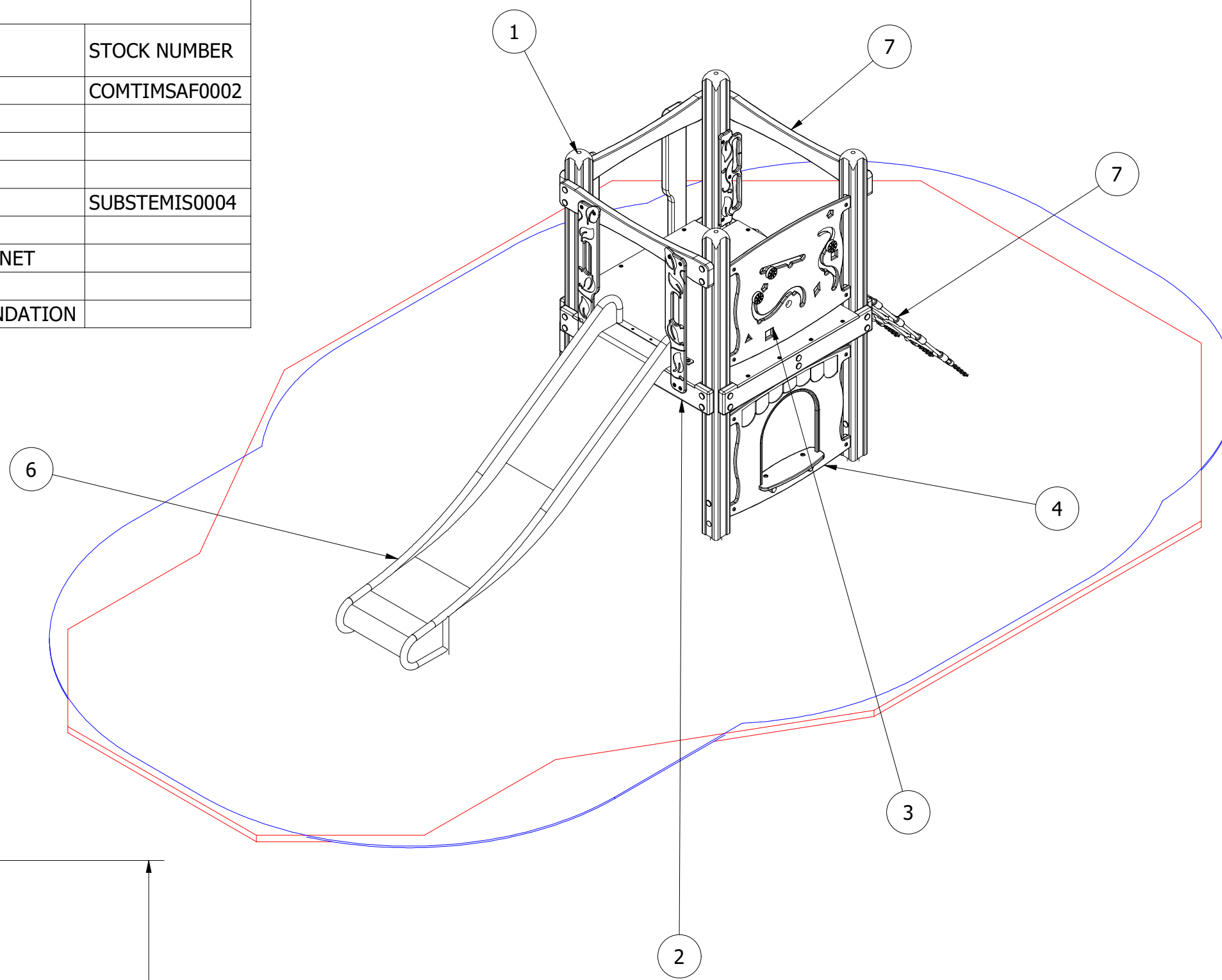


PARTS LIST				
ITEM	QTY	PART NUMBER	DESCRIPTION	STOCK NUMBER
1	4	TB-200-535	1900 x 112mm Safalog	COMTIMSAF0002
2	1	MOD-600-044 MULTIPLAY DECK	1200 X 1200 DECK	
3	1	MOD-600-063 SHAPES PLAY PANEL	PLAY SHAPES PANEL	
4	1	MOD-600-064 SHOP PLAY PANEL	SHOP PLAY PANEL	
5	4	MOD-600-116 GROUND FOOT	GROUND FOOT (112)	SUBSTEMIS0004
6	1	MOD-600-123 1M ORCHARD SLIDE	1M ORCHARD SLIDE	
7	1	MOD-600-124 1M ORCHARD SCRAMBLE NET	1M ORCHARD SCRAMBLE NET	
8	1	MOD-600-126 1M CLIMBING WALL	1M CLIMBING WALL	
9	4	250 x 250 x 600	0.038M ³ CONCRETE FOUNDATION	

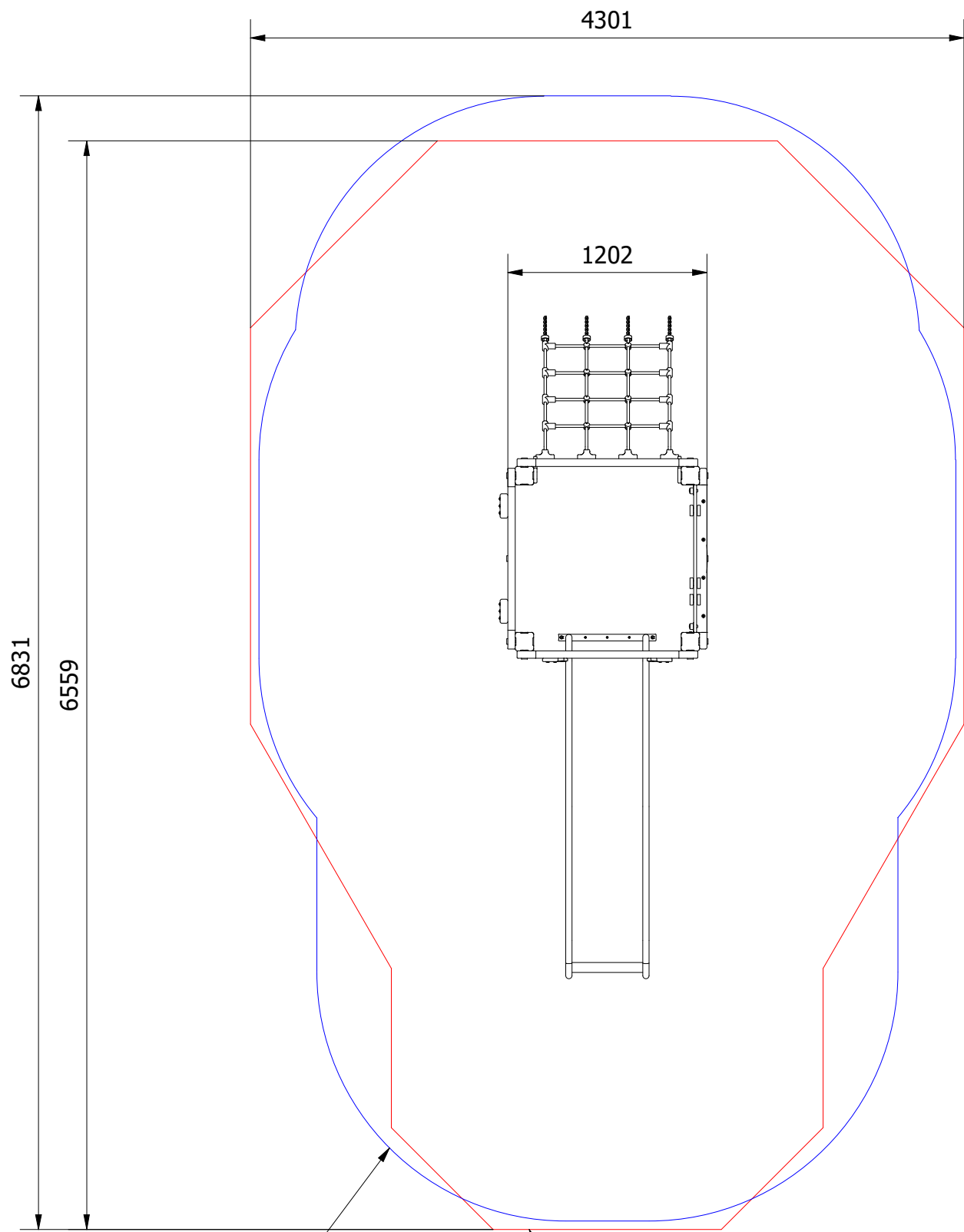


UNLESS OTHERWISE SPECIFIED:
DIMENSIONS ARE IN MILLIMETERS
TOLERANCES:
LINEAR: ±2MM
1 DECIMAL PLACE: ±0.5MM
ANGULAR: ±1°

PROPRIETARY AND CONFIDENTIAL
THE INFORMATION CONTAINED IN THIS DRAWING IS THE SOLE PROPERTY OF FENLAND LEISURE PRODUCTS. ANY REPRODUCTION IN PART OR AS A WHOLE WITHOUT THE WRITTEN PERMISSION OF FENLAND LEISURE PRODUCTS IS PROHIBITED.

Title: PRO-500-039 CHERRY ORCHARD		Date: 30/05/2019
Product Range: MULTIPLAY TOWER		Page: A3
1.0M FFH		
DO NOT SCALE FROM DRAWING		
Tel: 01354 638359 www.onlineplaygrounds.co.uk		

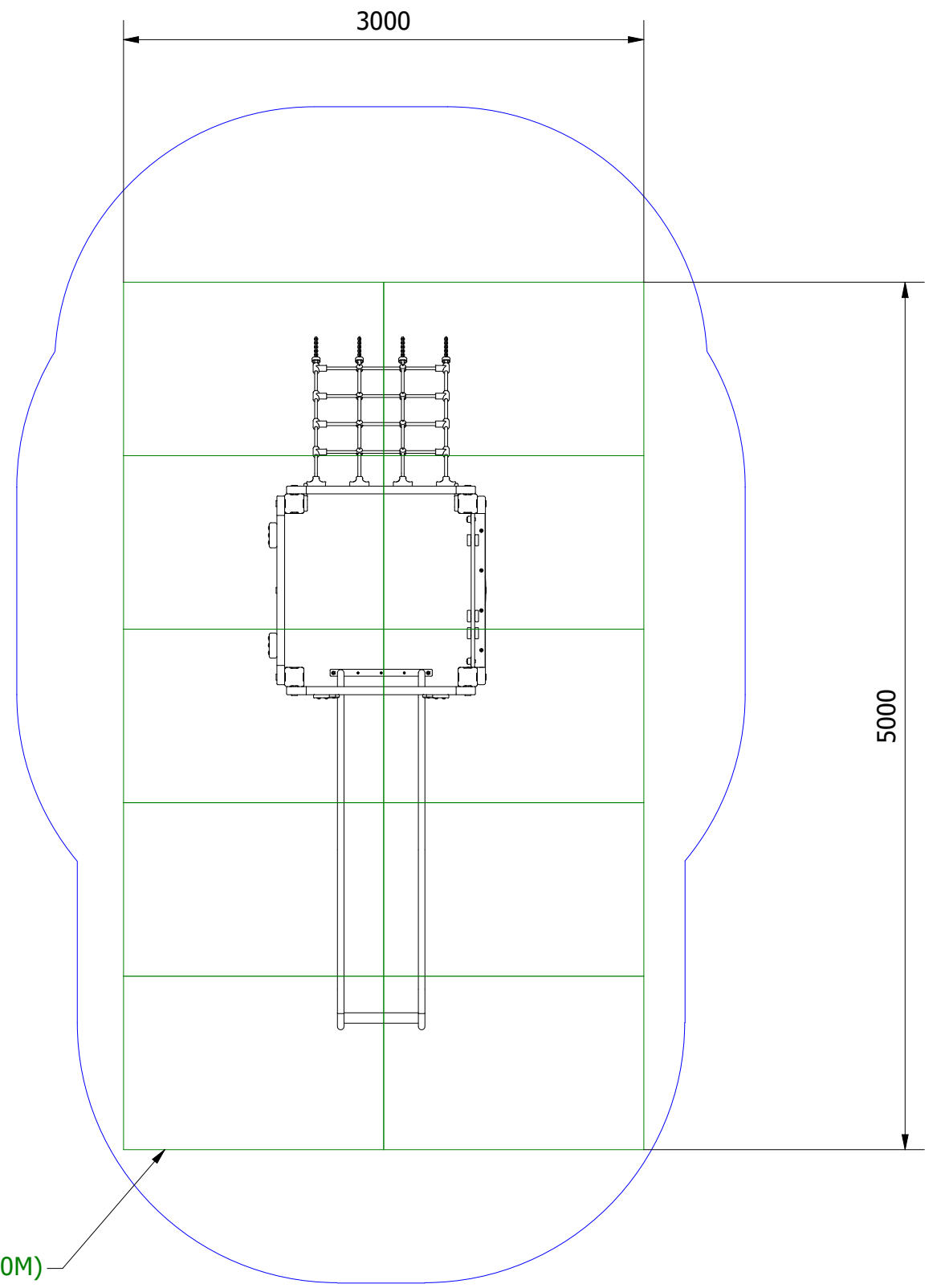




MIN SPACE

WETPOUR AREA = 22.7M²
PERIMETER = 18.5 L/M

21 SAFAGRASS TILES (1.5M X 1.0M)



UNLESS OTHERWISE SPECIFIED:
DIMENSIONS ARE IN MILLIMETERS
TOLERANCES:
LINEAR: ±2MM
1 DECIMAL PLACE: ±0.5MM
ANGULAR: ±1°

PROPRIETARY AND CONFIDENTIAL
THE INFORMATION CONTAINED IN THIS
DRAWING IS THE SOLE PROPERTY OF
FENLAND LEISURE PRODUCTS. ANY
REPRODUCTION IN PART OR AS A WHOLE
WITHOUT THE WRITTEN PERMISSION
OF FENLAND
LEISURE PRODUCTS IS PROHIBITED.

Title: PRO-500-039 CHERRY ORCHARD

Product Range: MULTIPLAY TOWER

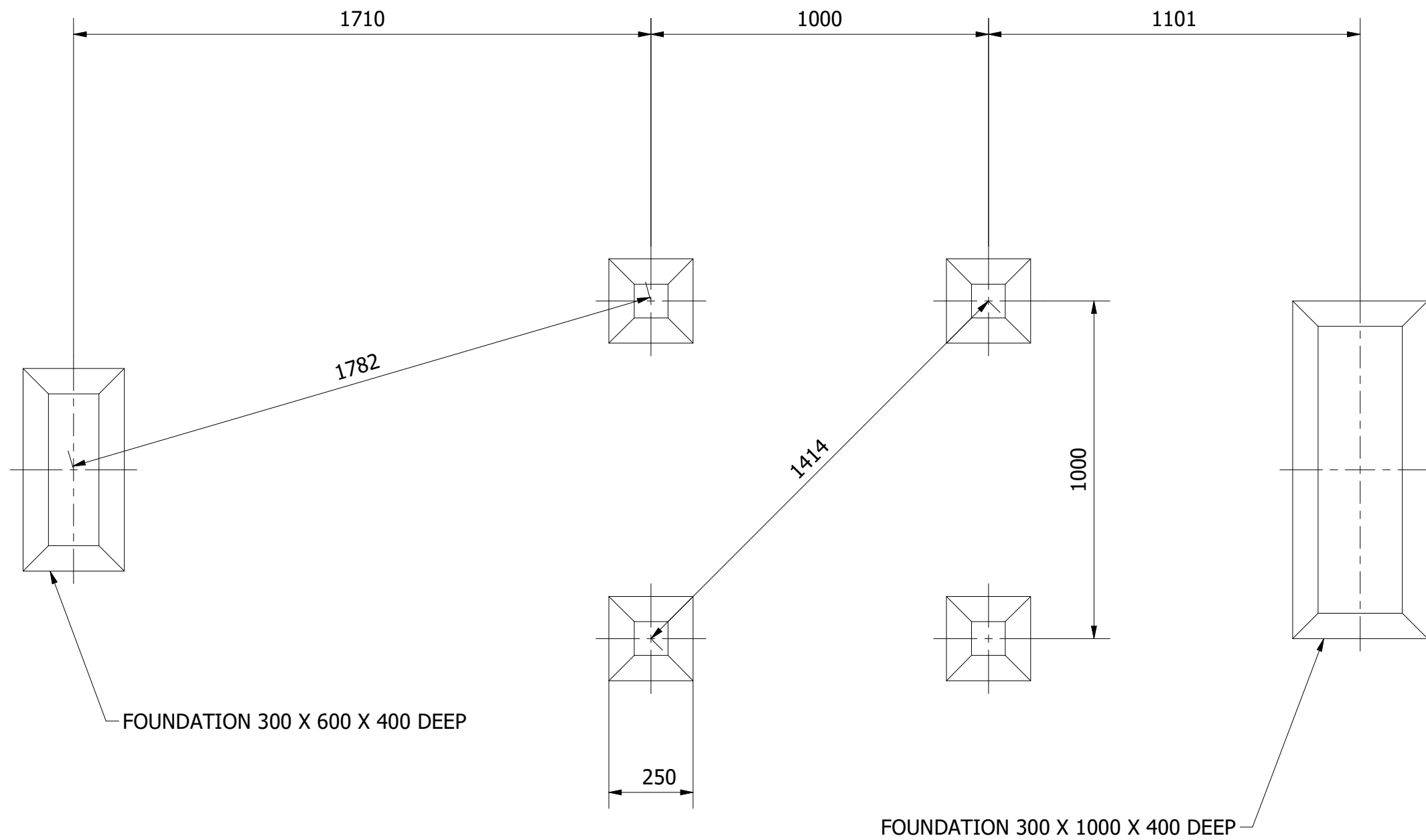
Date:
30/05/2019

Page:
A3



DO NOT SCALE FROM DRAWING

Tel: 01354 638359 www.onlineplaygrounds.co.uk



ALL FOUNDATIONS 250 X 250 X 700 DEEP UNLESS OTHERWISE SPECIFIED

UNLESS OTHERWISE SPECIFIED: DIMENSIONS ARE IN MILLIMETERS TOLERANCES: LINEAR: ±2MM 1 DECIMAL PLACE: ±0.5MM ANGULAR: ±1°	PROPRIETARY AND CONFIDENTIAL THE INFORMATION CONTAINED IN THIS DRAWING IS THE SOLE PROPERTY OF FENLAND LEISURE PRODUCTS. ANY REPRODUCTION IN PART OR AS A WHOLE WITHOUT THE WRITTEN PERMISSION OF FENLAND LEISURE PRODUCTS IS PROHIBITED.	Title: PRO-500-039 CHERRY ORCHARD	
		Product Range: MULTIPLAY TOWER	
		Date: 30/05/2019	
		Page: A3	
		DO NOT SCALE FROM DRAWING Tel: 01354 638359 www.onlineplaygrounds.co.uk	