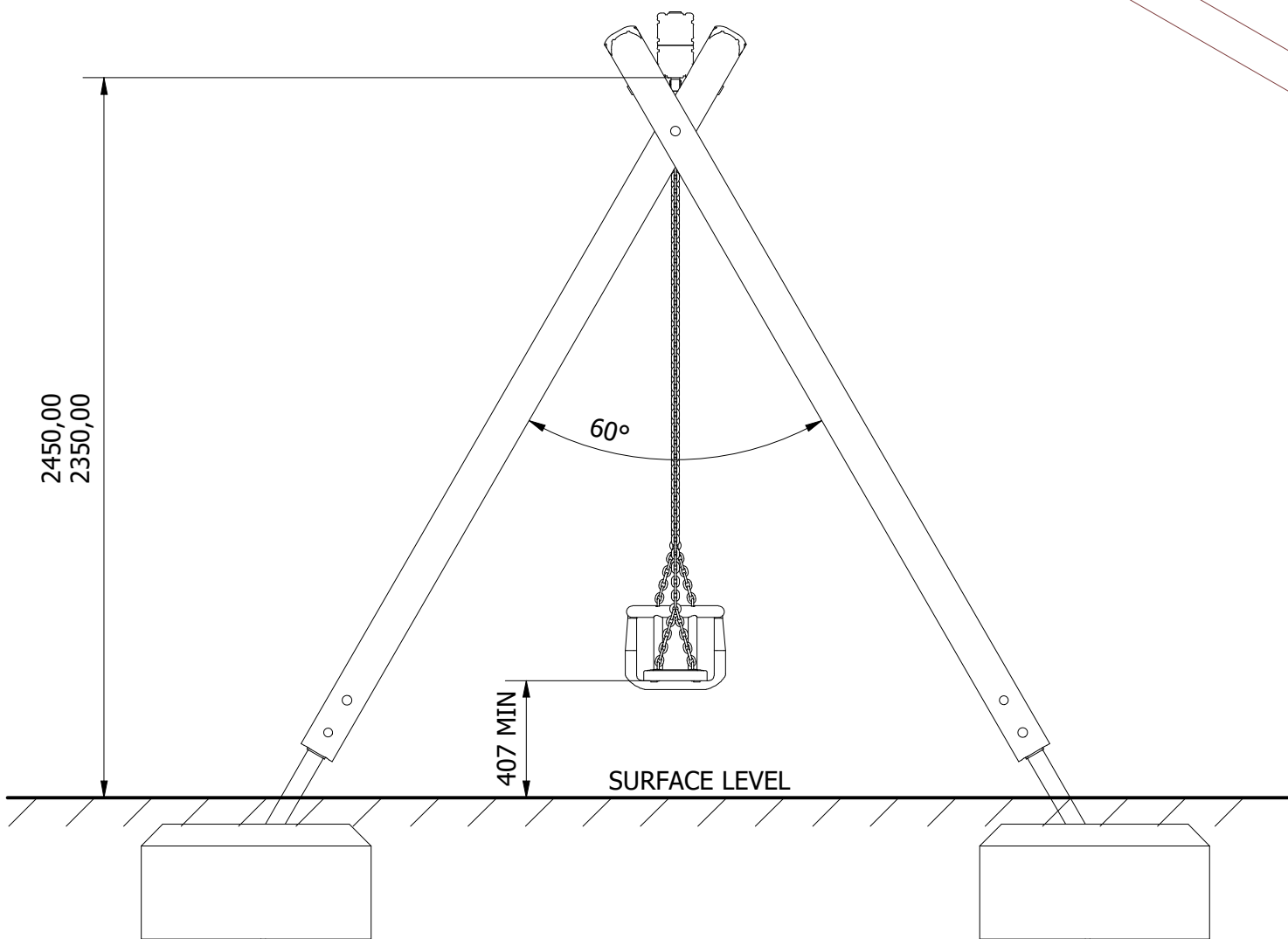
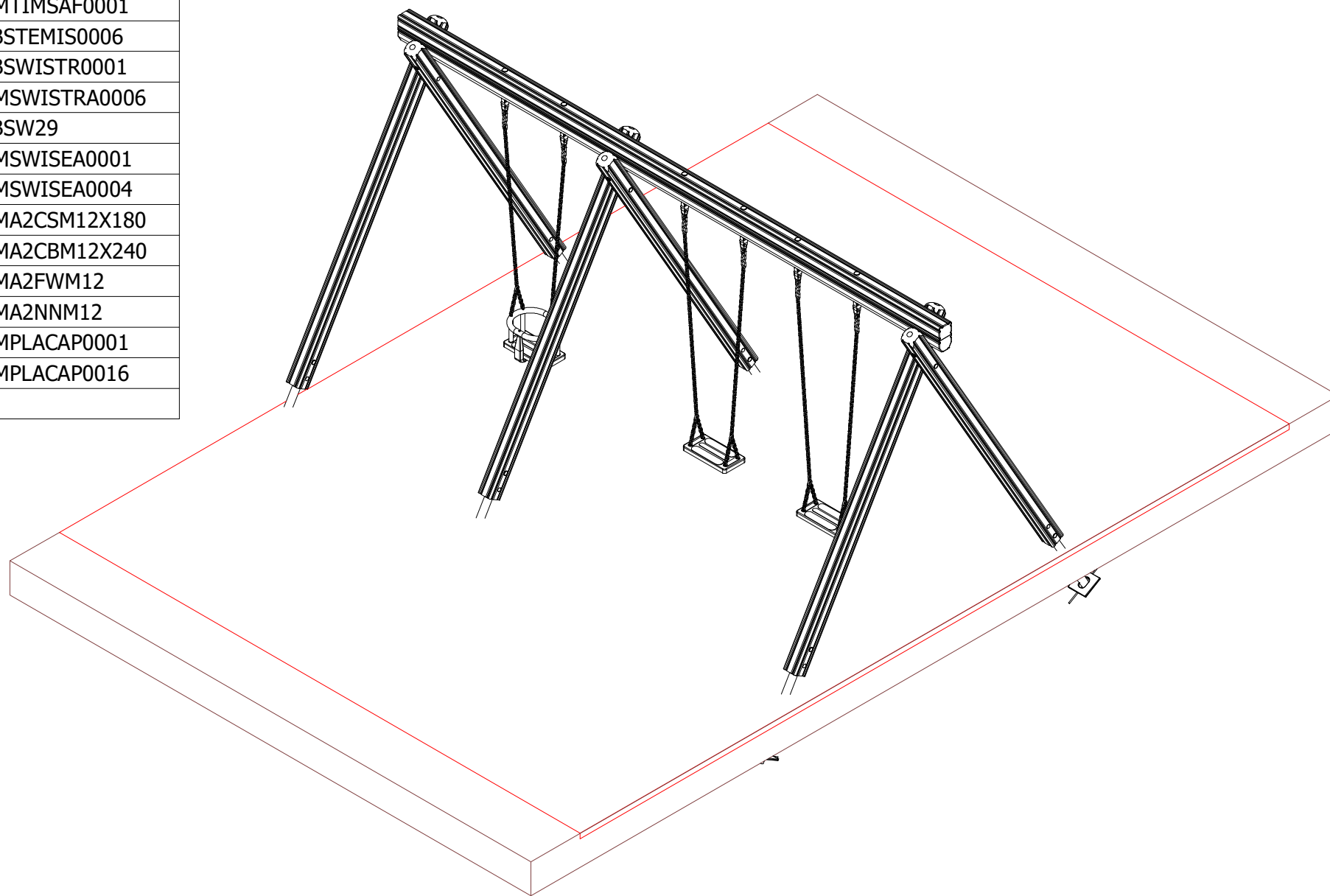


PARTS LIST

ITEM	QTY	PART NUMBER	DESCRIPTION	STOCK NUMBER
1	3	TB-200-595	2900 x 125 Safalog	COMTIMSAF0001
2	3	TB-200-596	2900 x 125 Safalog	COMTIMSAF0001
3	1	TB-200-853	2 X 5500MM X 125MM SAFALOG (BONDED)	COMTIMSAF0001
4	6	MOD-600-121 GROUND FOOT (125)	GROUND FOOT (125)	SUBSTEMIS0006
5	2	SWC4 FLAT	SWING CHAIN	SUBSWISTR0001
6	1	SWC4 CRADLE	SWING CHAIN	COMSWISTRA0006
7	6	SW29 SWING FITTING	UNIVERSAL SWING FITTING	SUBSW29
8	2	FLAT SWING SEAT	LARGE SWING SEAT	COMSWISEA0001
9	1	CRADLE SWING SEAT	SW22 CRADLE SEAT	COMSWISEA0004
10	6	M12 X 180 COACH SCREW	M12 X 180 COACH SCREW	COMA2CSM12X180
11	3	M12 X 240 COACH BOLT	M12 x 240 (DIN 603)	COMA2CBM12X240
12	15	M12 WASHER	M12 WASHER (DIN 125)	COMA2FWM12
13	9	M12 NYLOC NUT	M12 NYLOC NUT (DIN 985)	COMA2NNM12
14	9	30MM BOLT COVER	30MM BLACK CAP	COMPLACAP0001
15	6	38MM BOLT COVER	38MM CAP	COMPLACAP0016
16	6	400 x 800 x 400	0.128M <sup>3</sup> CONCRETE FOUNDATION	



UNLESS OTHERWISE SPECIFIED:  
DIMENSIONS ARE IN MILLIMETERS  
TOLERANCES:  
LINEAR: ±2MM  
1 DECIMAL PLACE: ±0.5MM  
ANGULAR: ±1°

**PROPRIETARY AND CONFIDENTIAL**  
THE INFORMATION CONTAINED IN THIS DRAWING IS THE SOLE PROPERTY OF FENLAND LEISURE PRODUCTS. ANY REPRODUCTION IN PART OR AS A WHOLE WITHOUT THE WRITTEN PERMISSION OF FENLAND LEISURE PRODUCTS IS PROHIBITED.

Title: PRO-500-198 DOUBLE BAY TODDLER & JUNIOR SEAT SWING

Product Range: PLAYGROUND EQUIPMENT

<1.5M FFH

Date:  
01/04/2021

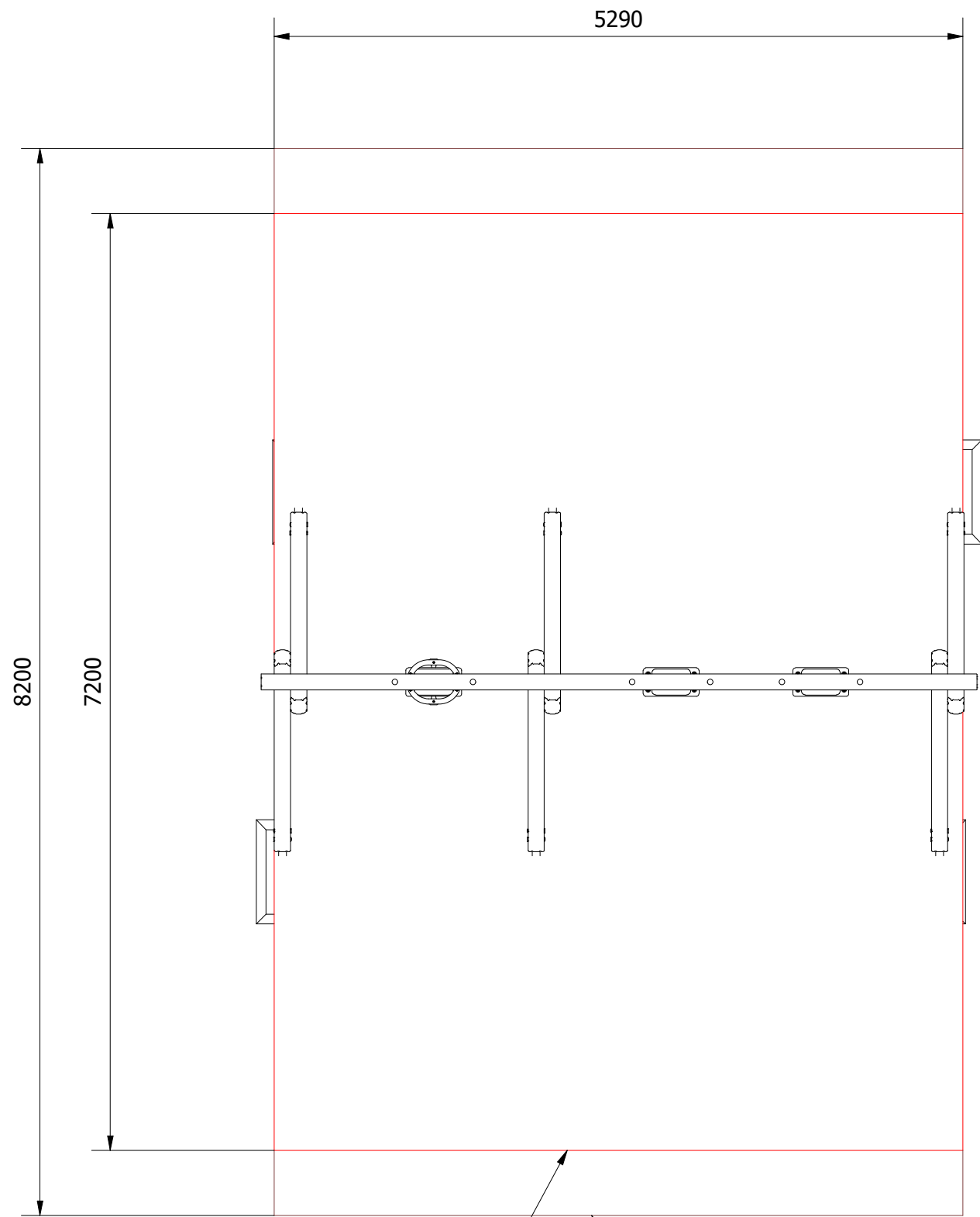
Page: 1

A3



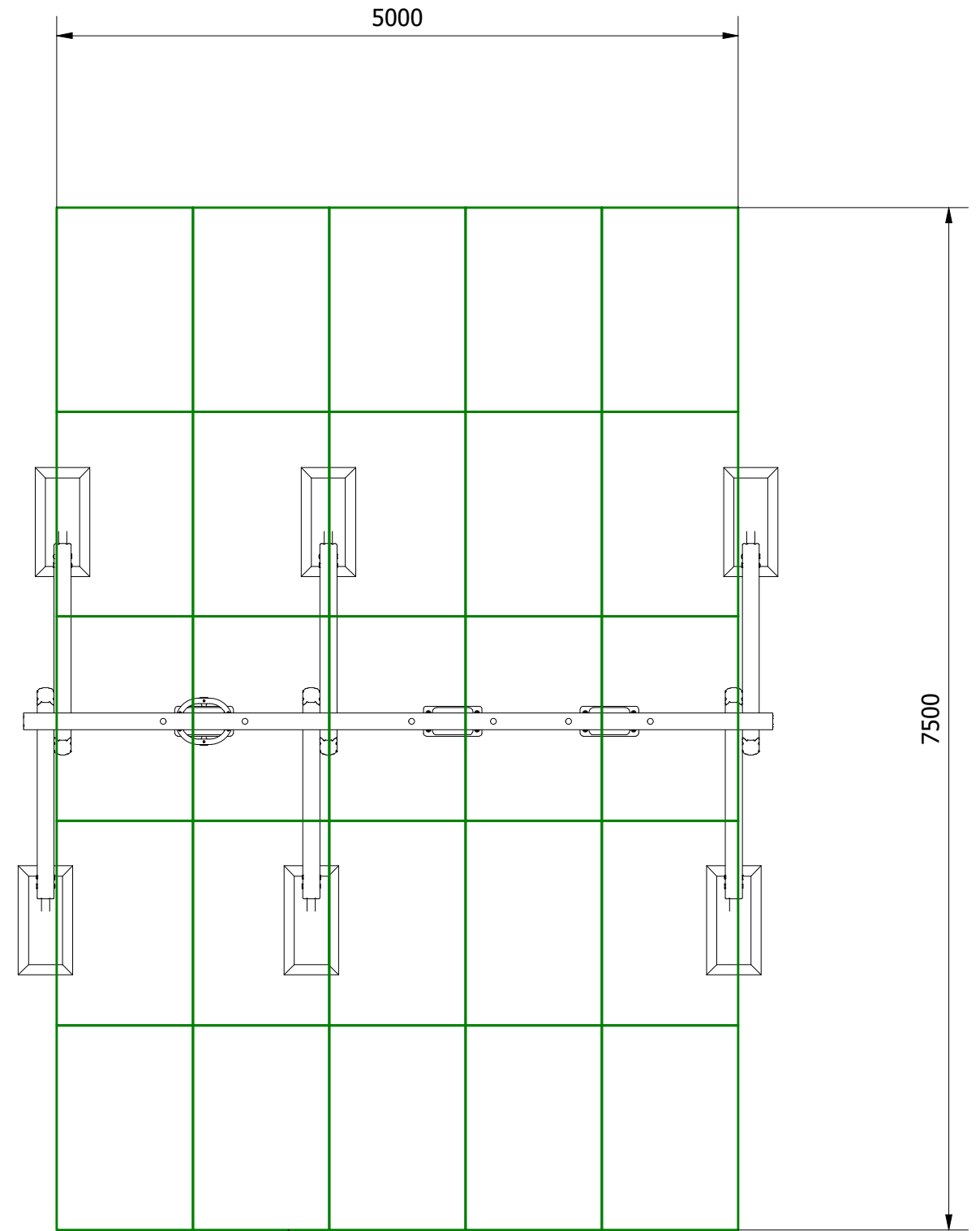
DO NOT SCALE FROM DRAWING

Tel: 01354 638359 www.onlineplaygrounds.co.uk



WETPOUR SURFACING  
 AREA = 38.0M<sup>2</sup>  
 PERIMETER = 25.0 L/M

LOOSEFILL SURFACING  
 AREA = 43.4M<sup>2</sup>  
 PERIMETER = 27 L/M



25 SAFAGRASS TILES (1.5M X 1.0M)

UNLESS OTHERWISE SPECIFIED:  
 DIMENSIONS ARE IN MILLIMETERS  
 TOLERANCES:  
 LINEAR: ±2MM  
 1 DECIMAL PLACE: ±0.5MM  
 ANGULAR: ±1°

**PROPRIETARY AND CONFIDENTIAL**  
 THE INFORMATION CONTAINED IN THIS  
 DRAWING IS THE SOLE PROPERTY OF  
 FENLAND LEISURE PRODUCTS. ANY  
 REPRODUCTION IN PART OR AS A WHOLE  
 WITHOUT THE WRITTEN PERMISSION  
 OF FENLAND  
 LEISURE PRODUCTS IS PROHIBITED.

Title: PRO-500-198 DOUBLE BAY TODDLER & JUNIOR SEAT SWING

Product Range: PLAYGROUND EQUIPMENT

Date:  
01/04/2021

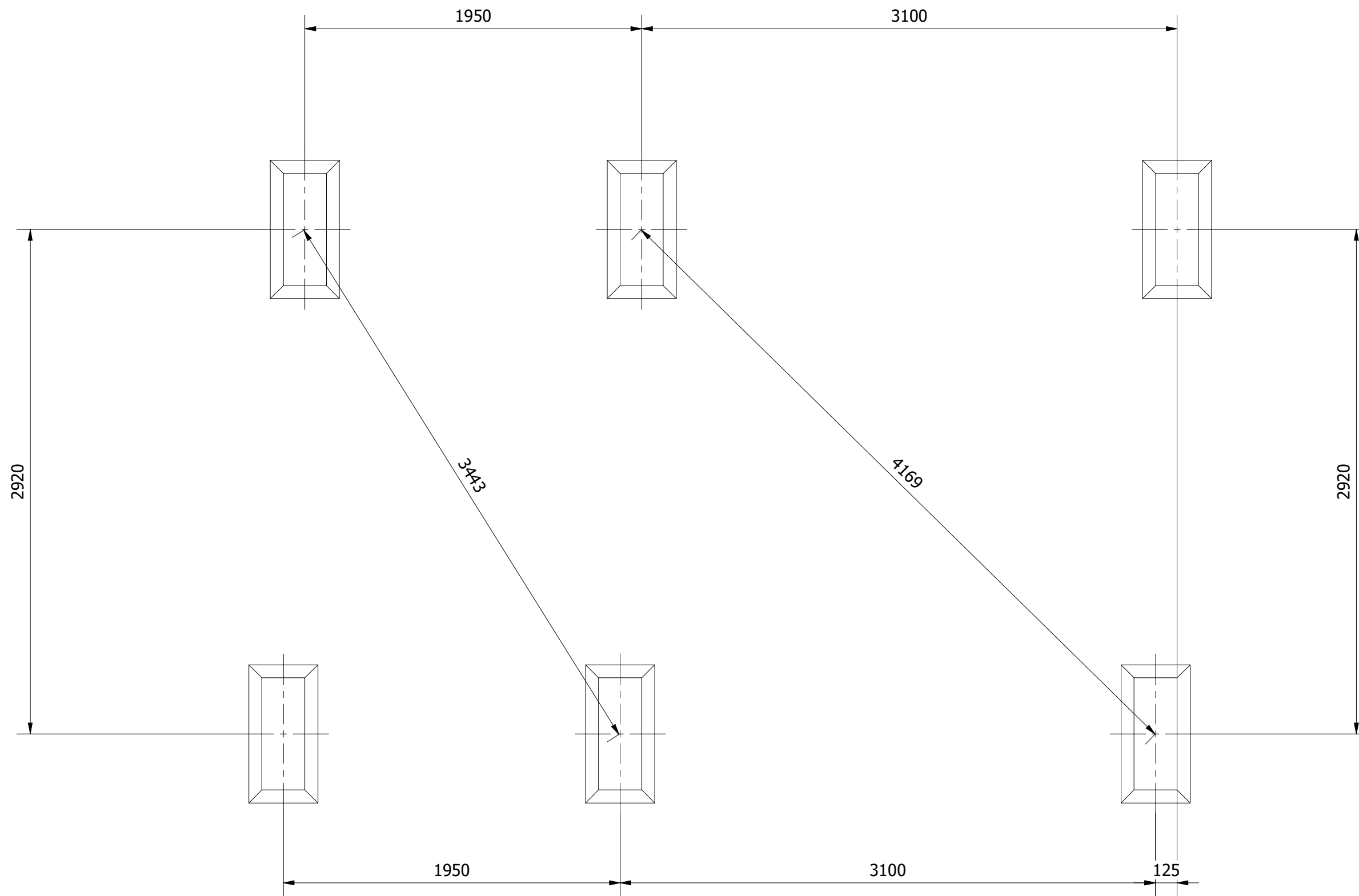
Page: 2

A3



DO NOT SCALE FROM DRAWING

Tel: 01354 638359 www.onlineplaygrounds.co.uk



UNLESS OTHERWISE SPECIFIED:  
DIMENSIONS ARE IN MILLIMETERS  
TOLERANCES:  
LINEAR: ±2MM  
1 DECIMAL PLACE: ±0.5MM  
ANGULAR: ±1°

**PROPRIETARY AND CONFIDENTIAL**  
THE INFORMATION CONTAINED IN THIS  
DRAWING IS THE SOLE PROPERTY OF  
FENLAND LEISURE PRODUCTS. ANY  
REPRODUCTION IN PART OR AS A WHOLE  
WITHOUT THE WRITTEN PERMISSION  
OF FENLAND  
LEISURE PRODUCTS IS PROHIBITED.

Title: PRO-500-198 DOUBLE BAY TODDLER & JUNIOR SEAT SWING

Product Range: PLAYGROUND EQUIPMENT

Date:  
01/04/2021

Page: 3

A3



DO NOT SCALE FROM DRAWING

Tel: 01354 638359 www.onlineplaygrounds.co.uk

ALL FOUNDATIONS 400 X 800 X 500 DEEP UNLESS OTHERWISE SPECIFIED

