



Water Pump : SA11

Description : The SA11 is a stainless steel pump for pressurised water pipes. The play pump simulates the process of pumping water. The water pump is constructed using high quality stainless steel.

Surfacing Requirements : Perimeter L/M: N/A, Wetpour/ Fibrefall M²: N/A, Safagrass Mats M²: N/A

Recommended User Age : 2+

Critical Fall Height : <600mm

Dimensions of Largest Part : 1110x850x350mm

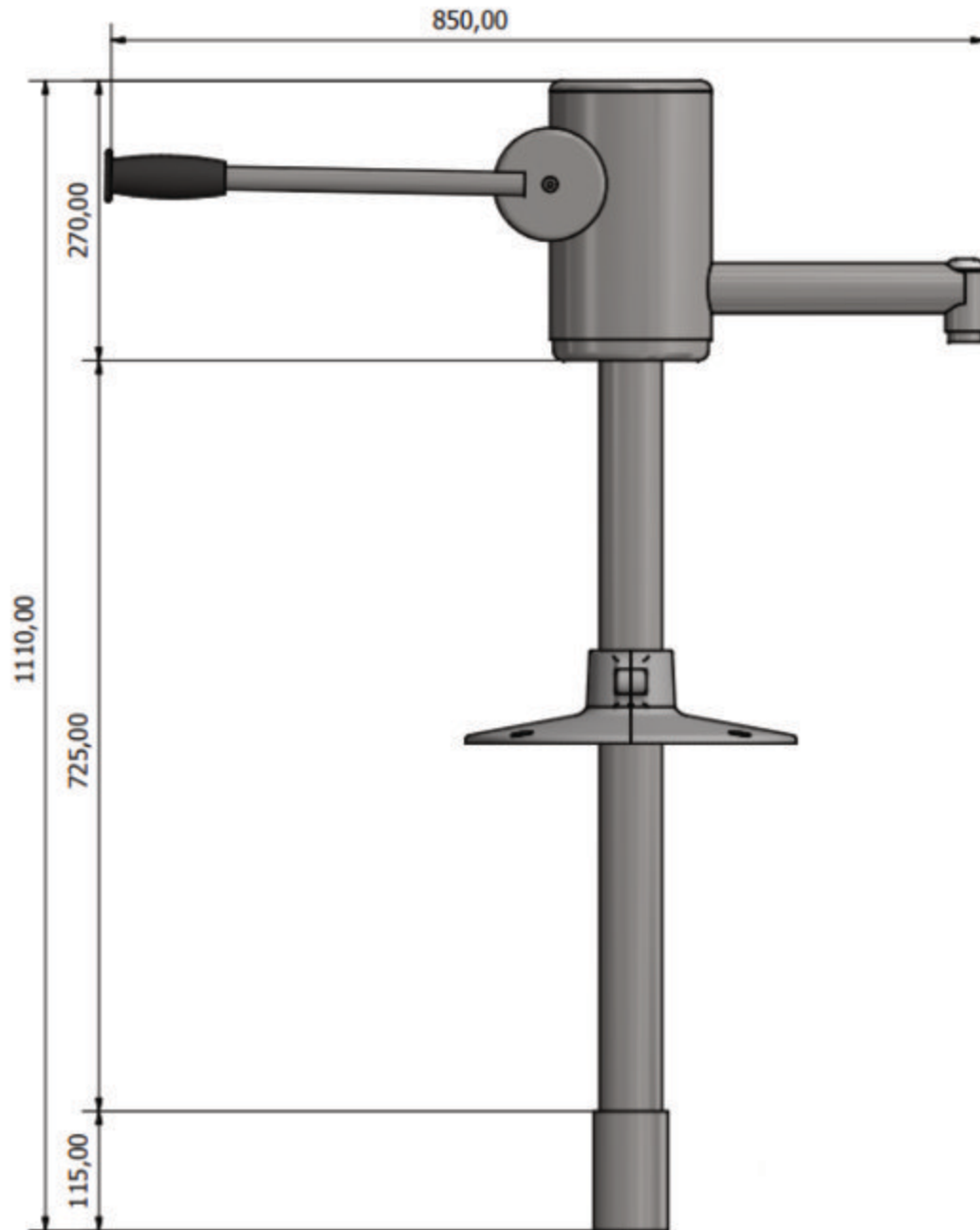
Weight of Heaviest Part : Approx N/A

This product complies to : BS EN 1176-1_2017

This product is for outdoor use only and must not be installed indoors. Children using the equipment must be supervised at all times. For spare parts and other inquiries please contact us using the contact information below.

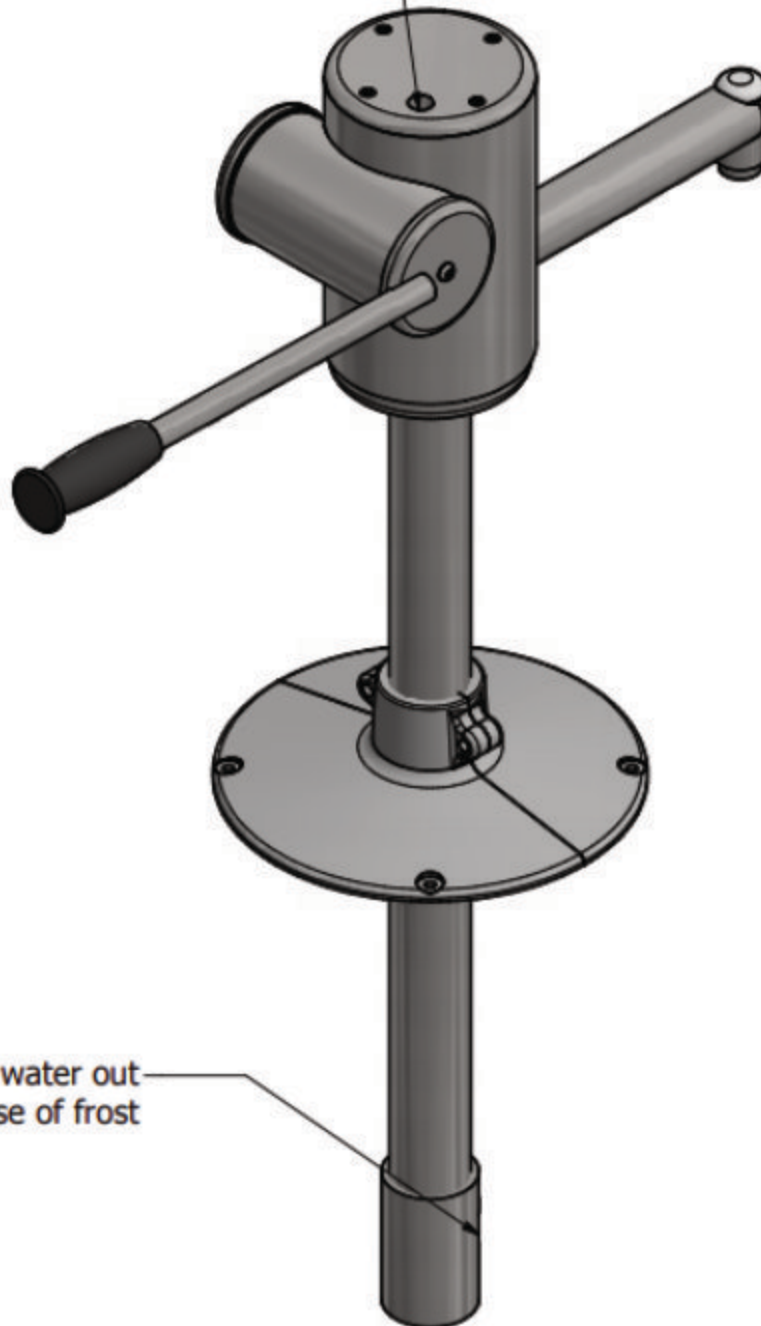
Additional information about this product and all the other products we offer can be found on our website www.onlineplaygrounds.co.uk





Side Elevation

Open screw and fill pump
with water until it
comes out of the exit



Open screw to get water out
of the pump in case of frost