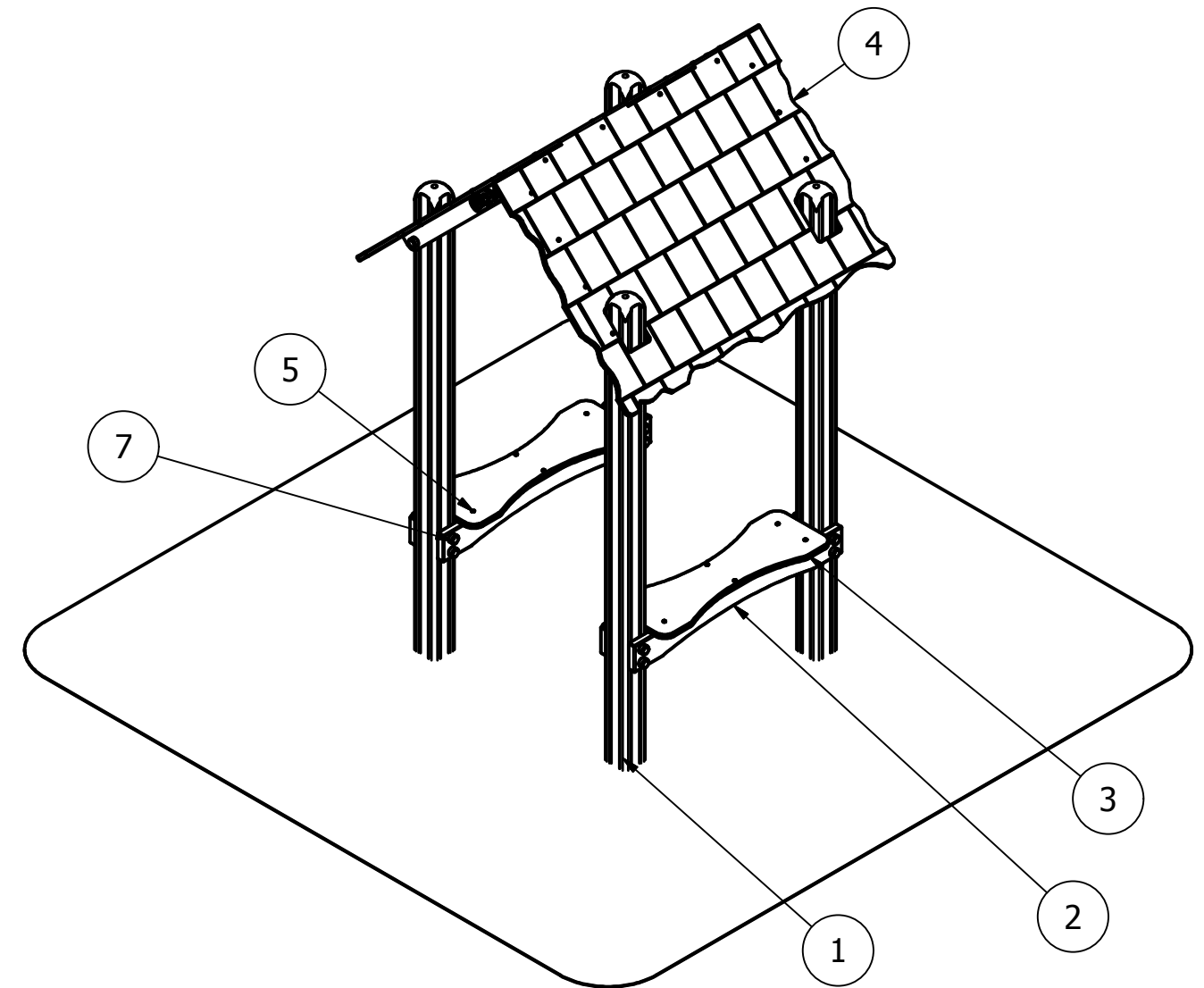
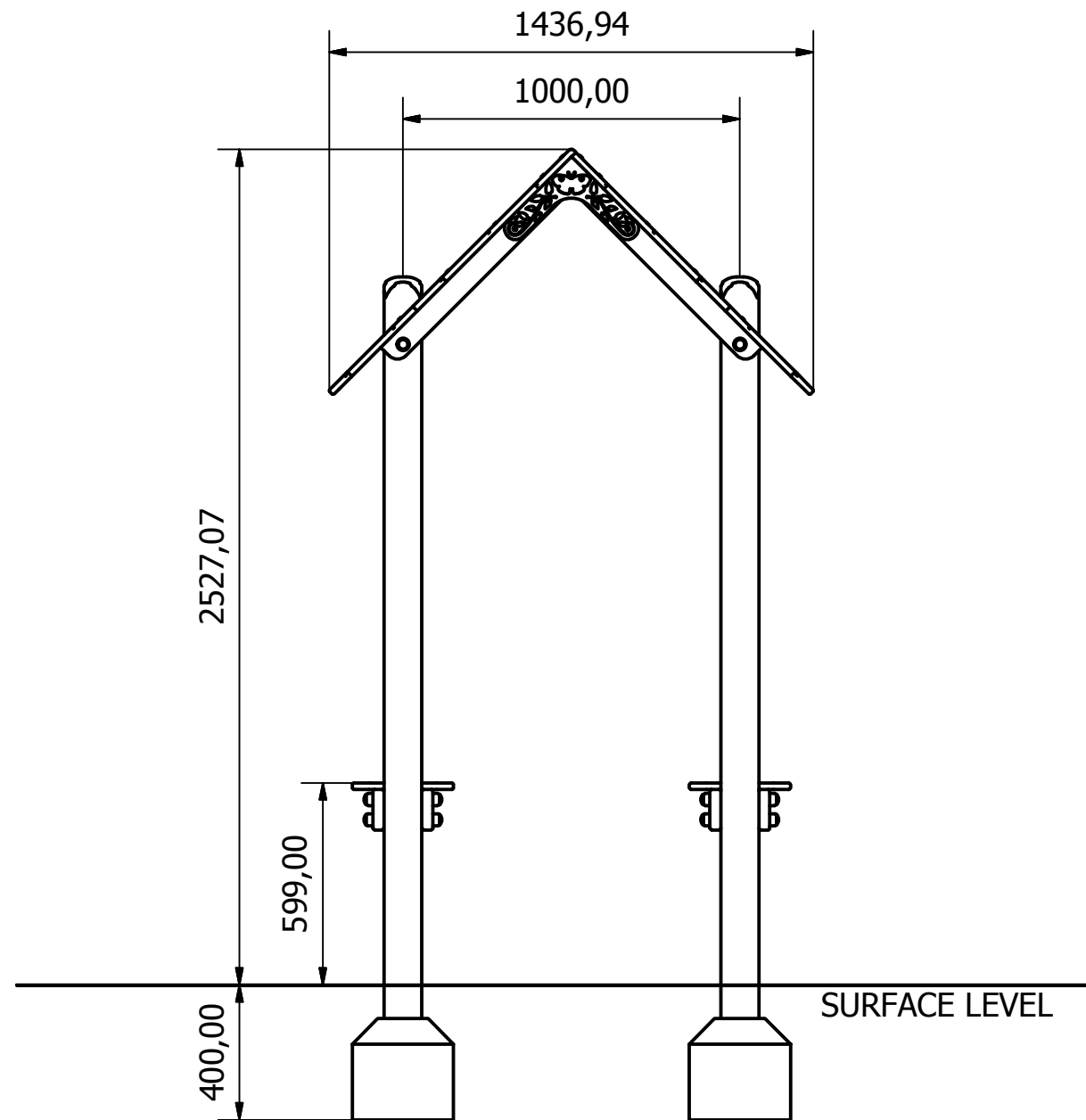

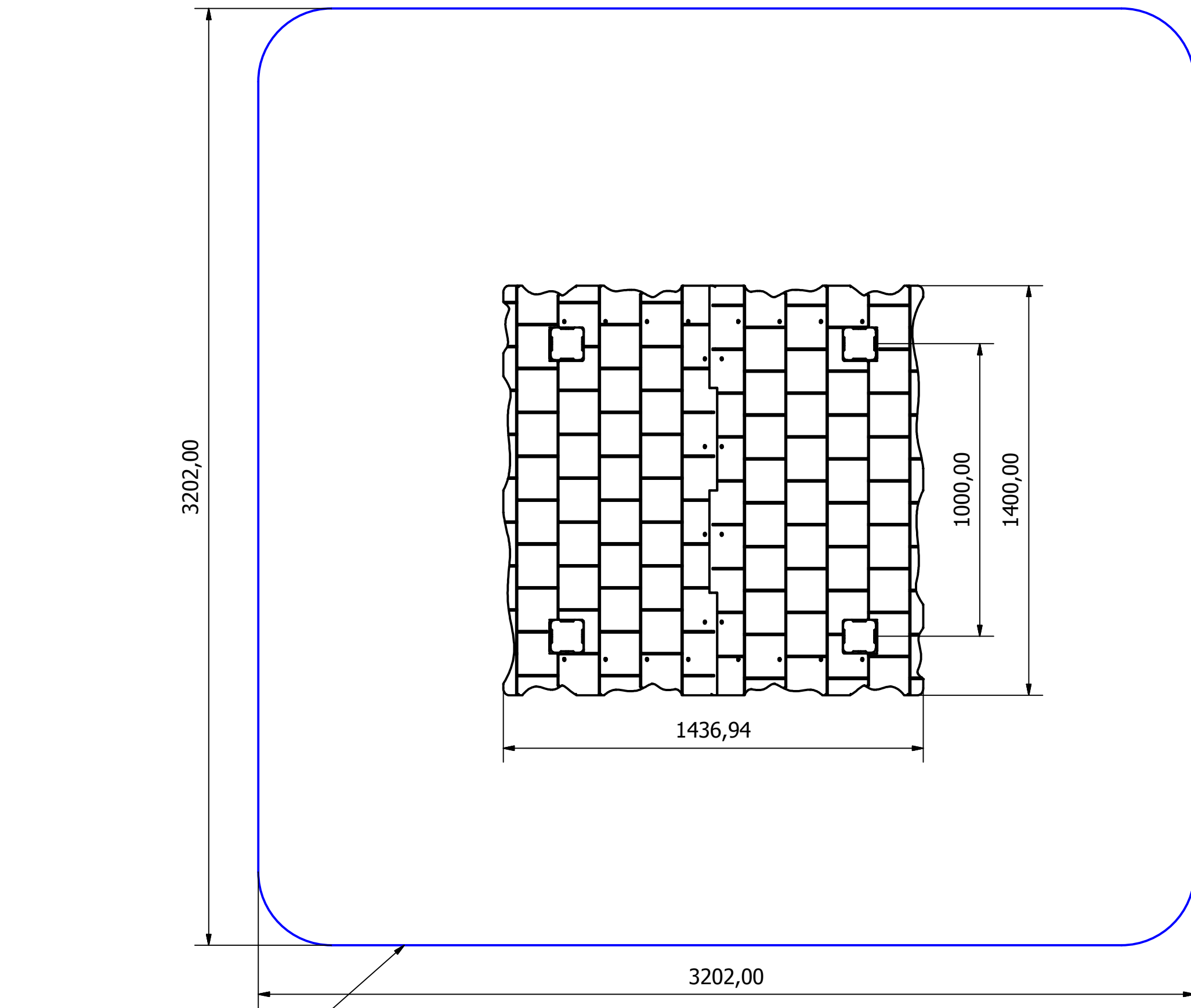


PARTS LIST				
ITEM	QTY	PART NUMBER	STOCK NUMBER	DESCRIPTION
1	4	TB-200-603	COMTIMSAF0002	3000mm x 112mm x 112mm Safalog
2	4	TB-200-607	COMTIMSAW0017	38x125mm PAR TIMBER
3	2	PE-400-088	COMPOL0040	HDPE GREEN/BEIGE/GREEN 19MM
4	1	MOD-600-078		
5	12		COMA2WS6X80	M6 X 80 TORX WOODSCREW
6	20		COMA2WH8X80	M8 X 80 TORX WASHER HEAD
7	20		COMPLACAP0028	2 PART CAP (BLACK)



UNLESS OTHERWISE SPECIFIED: DIMENSIONS ARE IN MILLIMETERS TOLERANCES: LINEAR: ±2MM 1 DECIMAL PLACE: ±0.5MM ANGULAR: ±1°	<b>PROPRIETARY AND CONFIDENTIAL</b> THE INFORMATION CONTAINED IN THIS DRAWING IS THE SOLE PROPERTY OF FENLAND LEISURE PRODUCTS. ANY REPRODUCTION IN PART OR AS A WHOLE WITHOUT THE WRITTEN PERMISSION OF FENLAND LEISURE PRODUCTS IS PROHIBITED.	Title: PRO-500-101 Play House	
		Product Range: Playground Units	
		<0.6M FFH	Date: 03/09/2019
			Page: A3
DO NOT SCALE FROM DRAWING Tel: 01354 638359 Fax: 01354 638464 www.fenandleisure.co.uk			

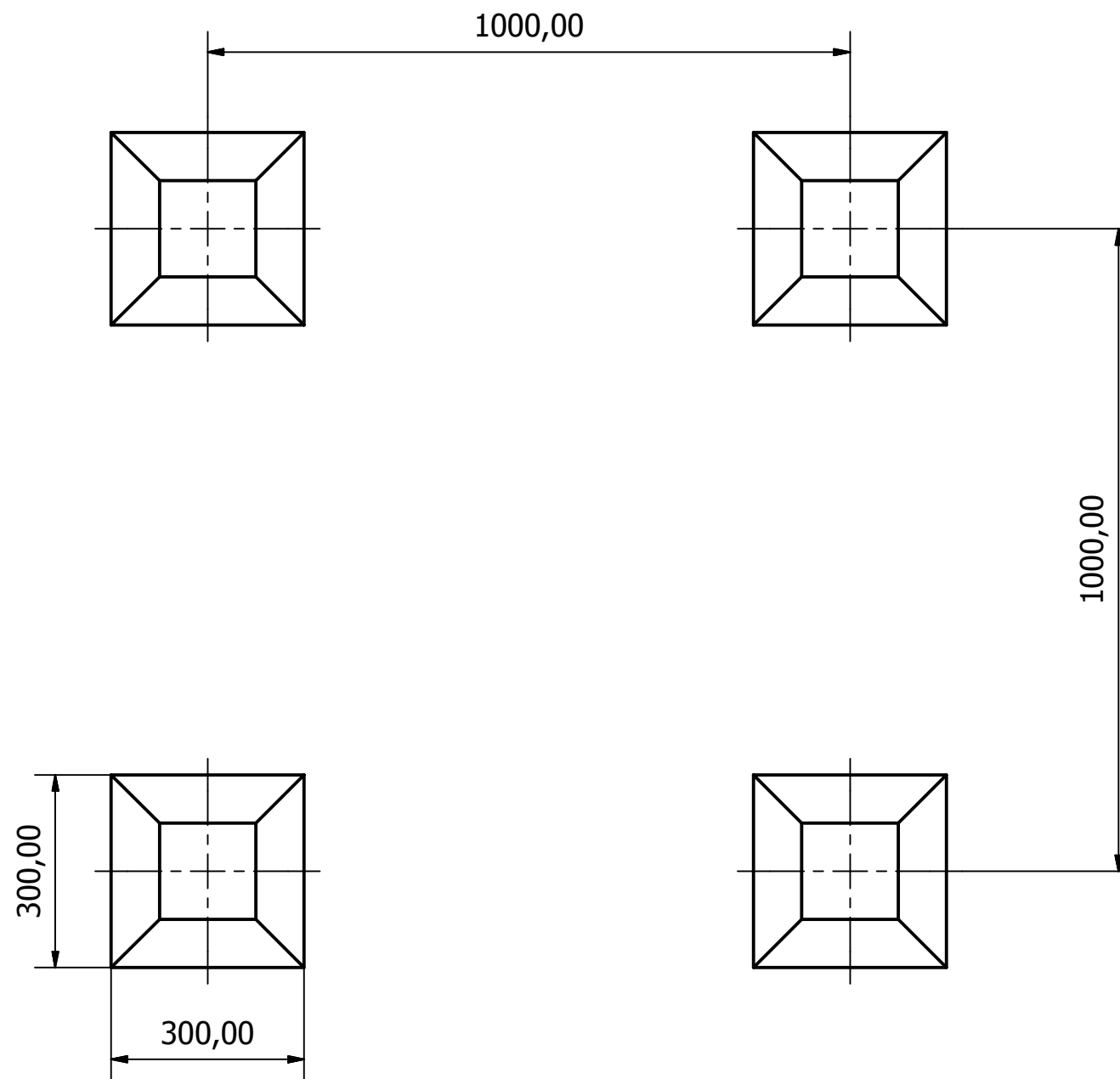


UNLESS OTHERWISE SPECIFIED:  
DIMENSIONS ARE IN MILLIMETERS  
TOLERANCES:  
LINEAR: ±2MM  
1 DECIMAL PLACE: ±0.5MM  
ANGULAR: ±1°

**PROPRIETARY AND CONFIDENTIAL**  
THE INFORMATION CONTAINED IN THIS  
DRAWING IS THE SOLE PROPERTY OF  
FENLAND LEISURE PRODUCTS. ANY  
REPRODUCTION IN PART OR AS A WHOLE  
WITHOUT THE WRITTEN PERMISSION  
OF FENLAND  
LEISURE PRODUCTS IS PROHIBITED.



Title: PRO-500-101 Play House	
Product Range: Playground Units	
Date: 03/09/2019	DO NOT SCALE FROM DRAWING
Page: A3	
Tel: 01354 638359 Fax: 01354 638464 www.fenandleisure.co.uk	



UNLESS OTHERWISE SPECIFIED:  
DIMENSIONS ARE IN MILLIMETERS  
TOLERANCES:  
LINEAR: ±2MM  
1 DECIMAL PLACE: ±0.5MM  
ANGULAR: ±1°

**PROPRIETARY AND CONFIDENTIAL**  
THE INFORMATION CONTAINED IN THIS  
DRAWING IS THE SOLE PROPERTY OF  
FENLAND LEISURE PRODUCTS. ANY  
REPRODUCTION IN PART OR AS A WHOLE  
WITHOUT THE WRITTEN PERMISSION  
OF FENLAND  
LEISURE PRODUCTS IS PROHIBITED.

Title: PRO-500-101 Play House

Product Range: Playground Units

Date:  
03/09/2019

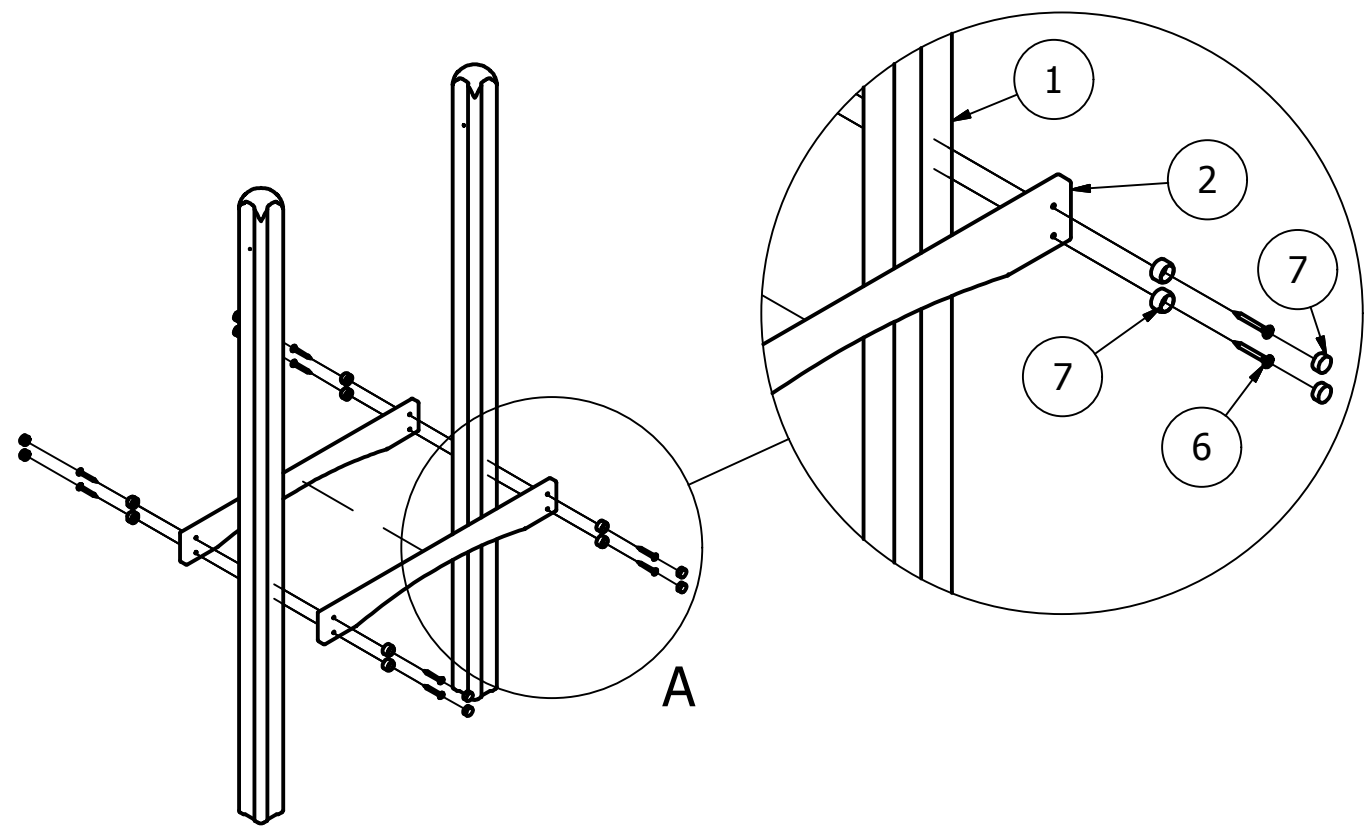
Page:  
A3



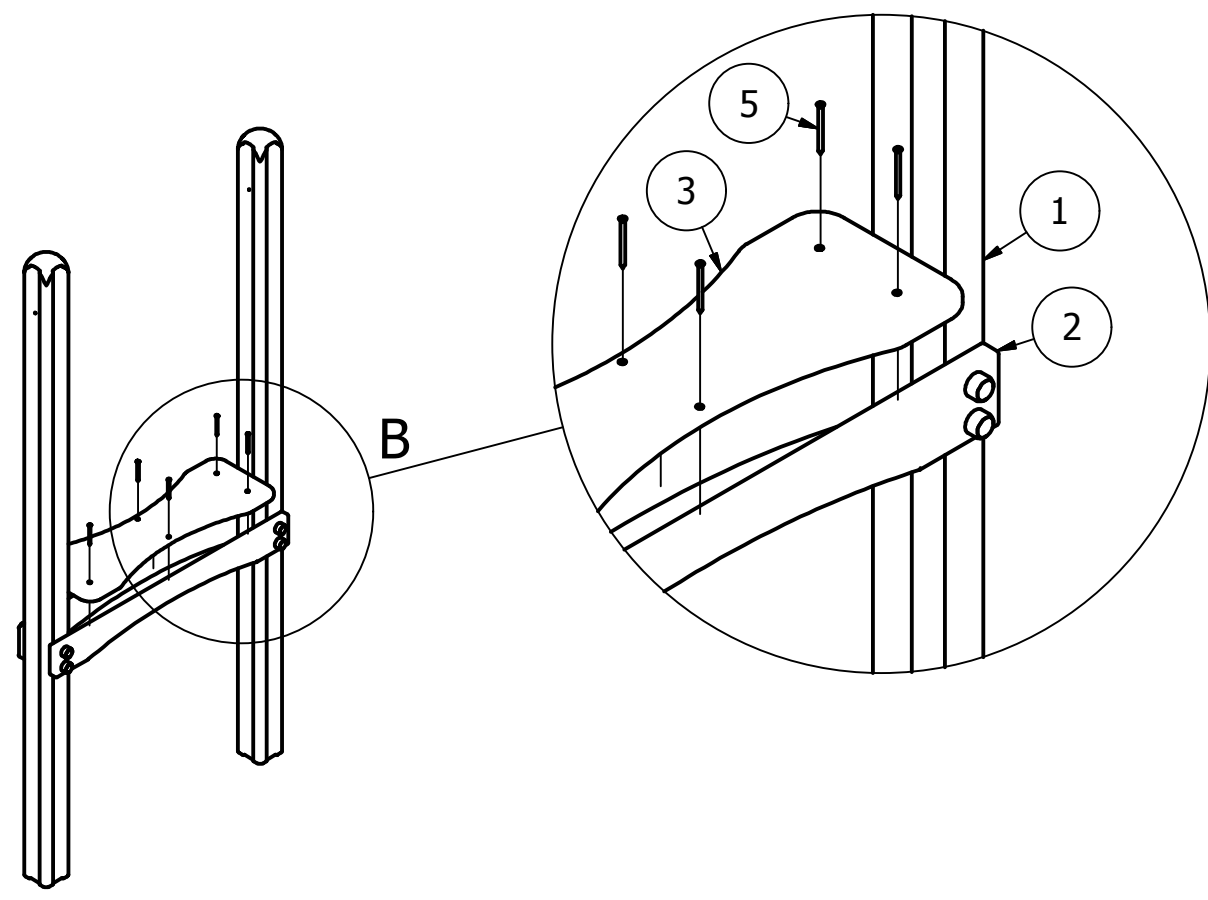
DO NOT SCALE FROM DRAWING  
Tel: 01354 638359 Fax: 01354 638464 www.fenandleisure.co.uk

ALL FOUNDATIONS 300 X 300 X 300 DEEP UNLESS OTHERWISE SPECIFIED

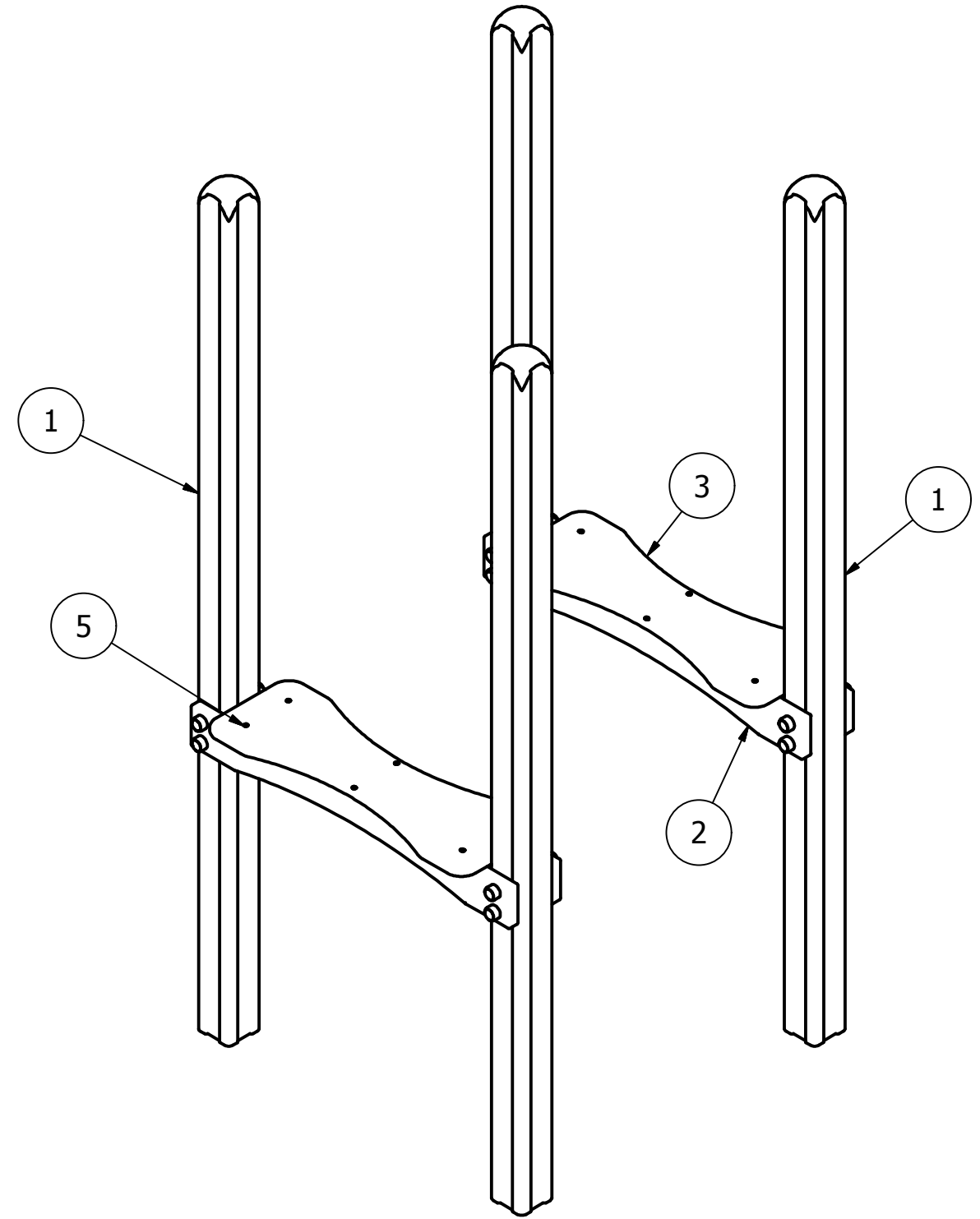
1. USING THE FIXINGS PROVIDED SECURE THE TIMBER HORIZONTAL BENCH SUPPORTS TO THE POSTS AS ILLUSTRATED BELOW. ENSURE THAT CAPS ARE USED WHERE INDICATED.



2. USING THE FIXINGS PROVIDED SECURE THE HDPE BENCH TOPS TO THE BENCH SUPPORTS AS ILLUSTRATED BELOW.



3. REPEAT STEPS ONE AND TWO TO CREATE THE SECOND HALF OF THE FRAME. AS ILLUSTRATED BELOW.



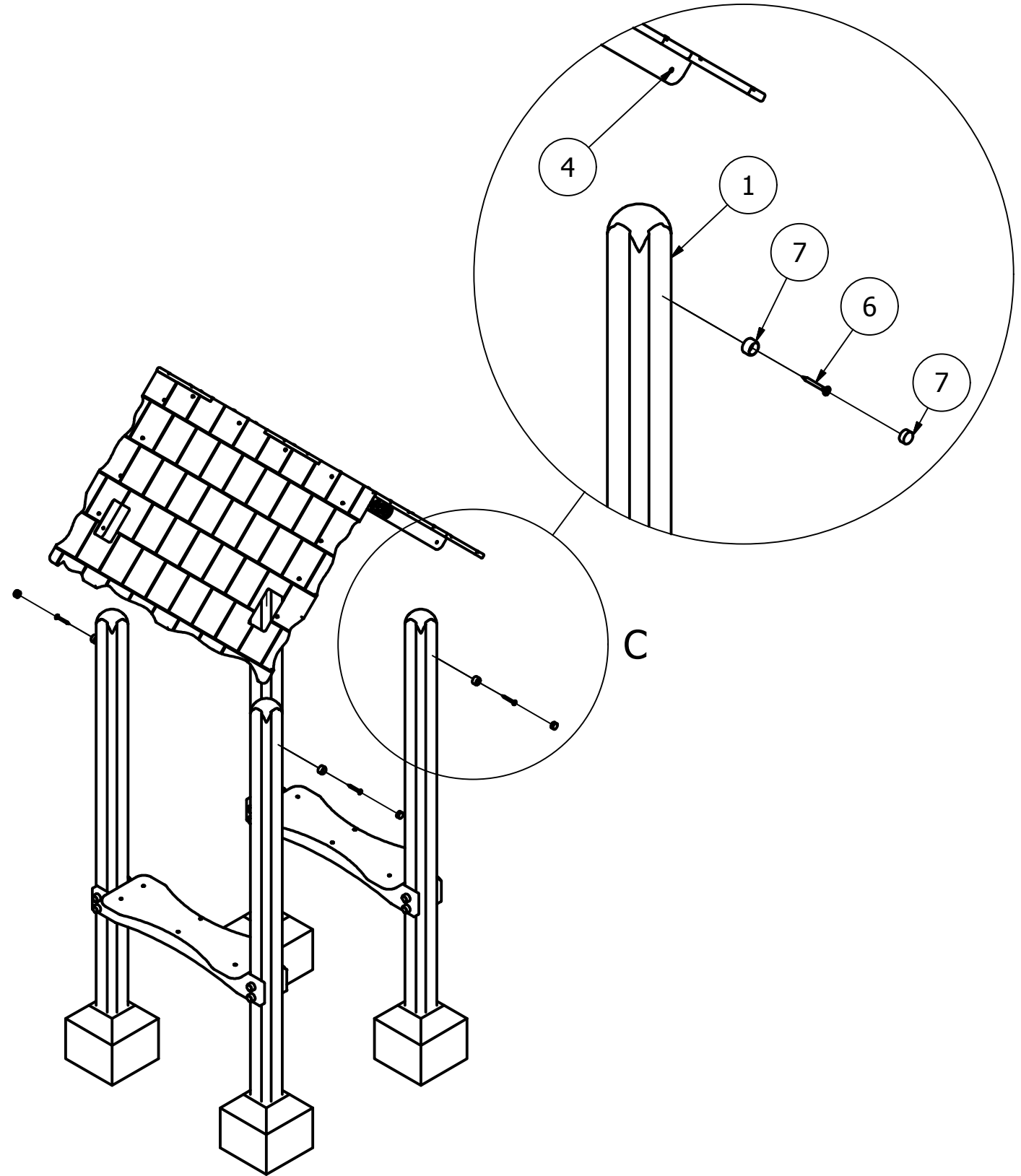
UNLESS OTHERWISE SPECIFIED: DIMENSIONS ARE IN MILLIMETERS TOLERANCES: LINEAR: ±2MM 1 DECIMAL PLACE: ±0.5MM ANGULAR: ±1°	<b>PROPRIETARY AND CONFIDENTIAL</b> THE INFORMATION CONTAINED IN THIS DRAWING IS THE SOLE PROPERTY OF FENLAND LEISURE PRODUCTS. ANY REPRODUCTION IN PART OR AS A WHOLE WITHOUT THE WRITTEN PERMISSION OF FENLAND LEISURE PRODUCTS IS PROHIBITED.	Title: PRO-500-101 Play House	
		Product Range: Playground Units	
		Date: 03/09/2019	
		Page: A3	
DO NOT SCALE FROM DRAWING		Tel: 01354 638359 Fax: 01354 638464 www.fenandleisure.co.uk	

4. POSITION THE UNIT IN THE FOUNDATION HOLES AND CHECK THAT THE UNIT IS LEVEL.

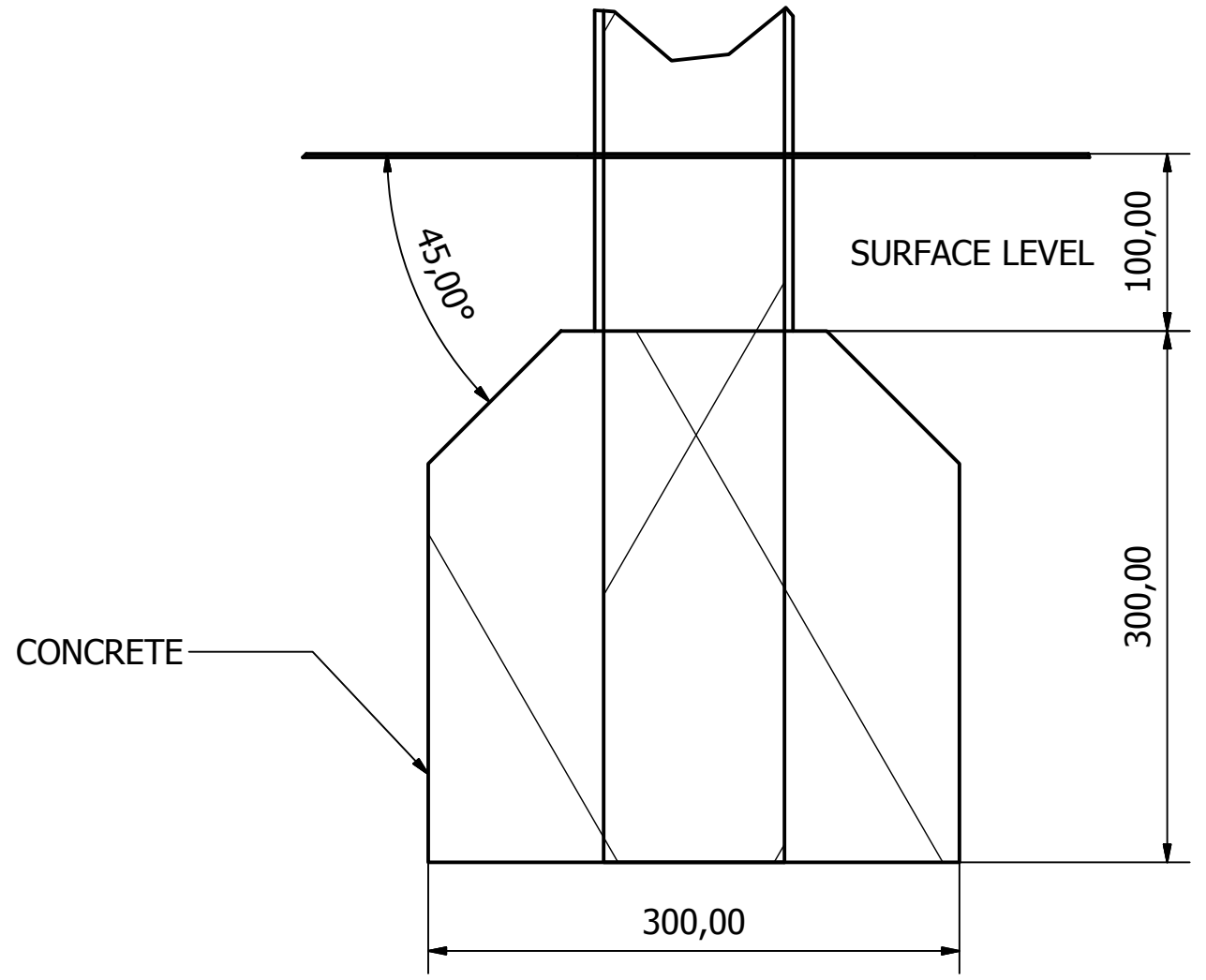
5A. IF THE ROOF HAS BEEN SUPPLIED ASSEMBLED MOVE TO STEP 6.

5B. IF THE ROOF IS NOT ASSEMBLED REFER TO MOD-600-078 ASSEMBLY INSTRUCTIONS FOR MORE INFORMATION.

6. POSITION THE ROOF OVER THE VERTICAL POSTS AND SECURE IN PLACE USING THE FIXINGS PROVIDED. ENSURE THAT CAPS ARE FITTED WHERE INDICATED.



7. ENSURE THE UNIT IS LEVEL AND PLUMB, ALL FIXINGS HAVE BEEN TIGHTENED AND PROTECTIVE CAPS ARE IN PLACE. ADD CONCRETE TO EACH FOUNDATION HOLE AND LEAVE FOR 48 HOURS. ONCE THE CONCRETE HAS BEEN ADDED LEAVE FOR 48 HOURS.



UNLESS OTHERWISE SPECIFIED: DIMENSIONS ARE IN MILLIMETERS TOLERANCES: LINEAR: ±2MM 1 DECIMAL PLACE: ±0.5MM ANGULAR: ±1°	<b>PROPRIETARY AND CONFIDENTIAL</b> THE INFORMATION CONTAINED IN THIS DRAWING IS THE SOLE PROPERTY OF FENLAND LEISURE PRODUCTS. ANY REPRODUCTION IN PART OR AS A WHOLE WITHOUT THE WRITTEN PERMISSION OF FENLAND LEISURE PRODUCTS IS PROHIBITED.	Title: PRO-500-101 Play House	
		Product Range: Playground Units	
		Date: 03/09/2019	
		Page: A3	
		DO NOT SCALE FROM DRAWING	
Tel: 01354 638359 Fax: 01354 638464 www.fenandleisure.co.uk			