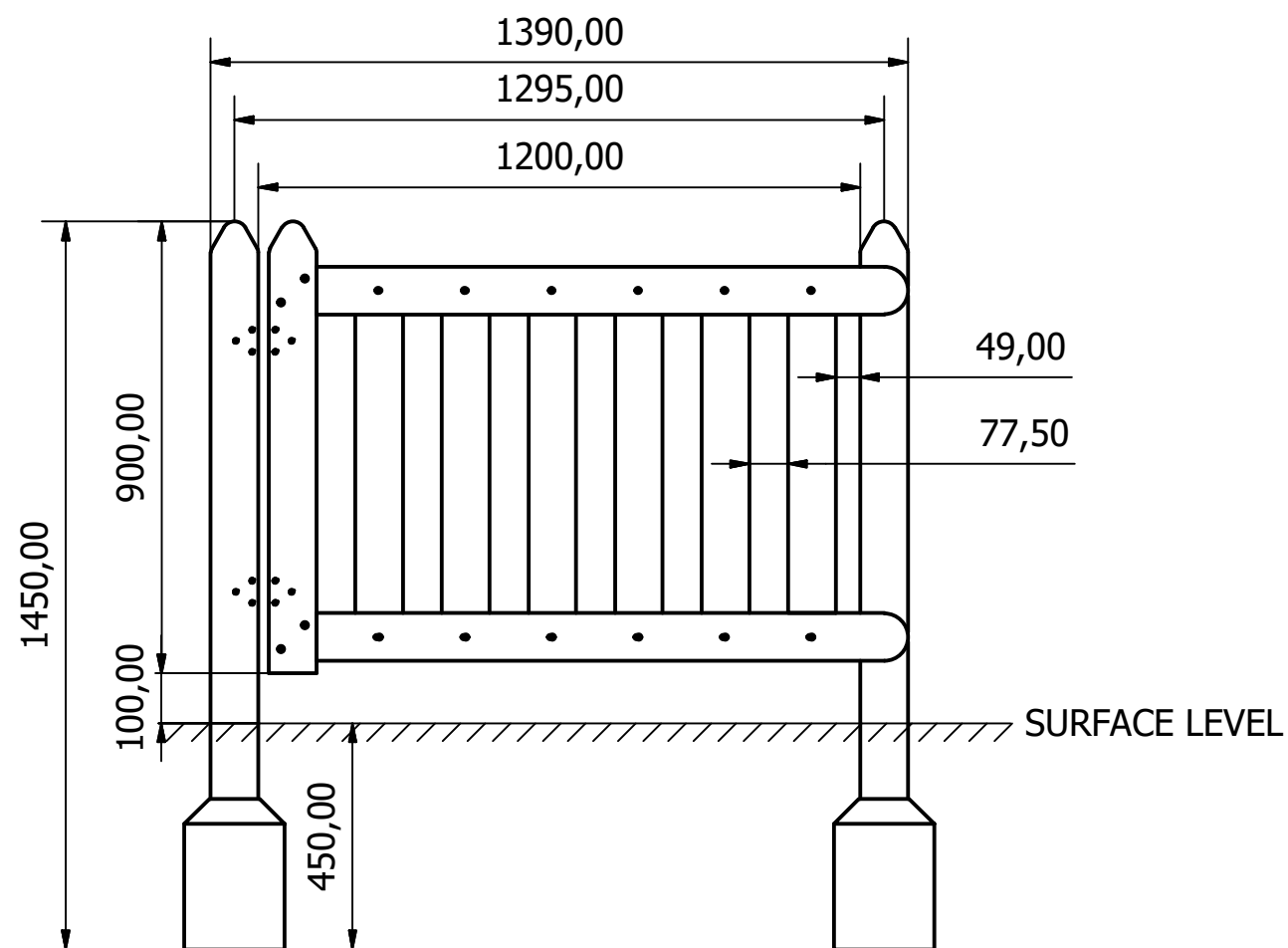
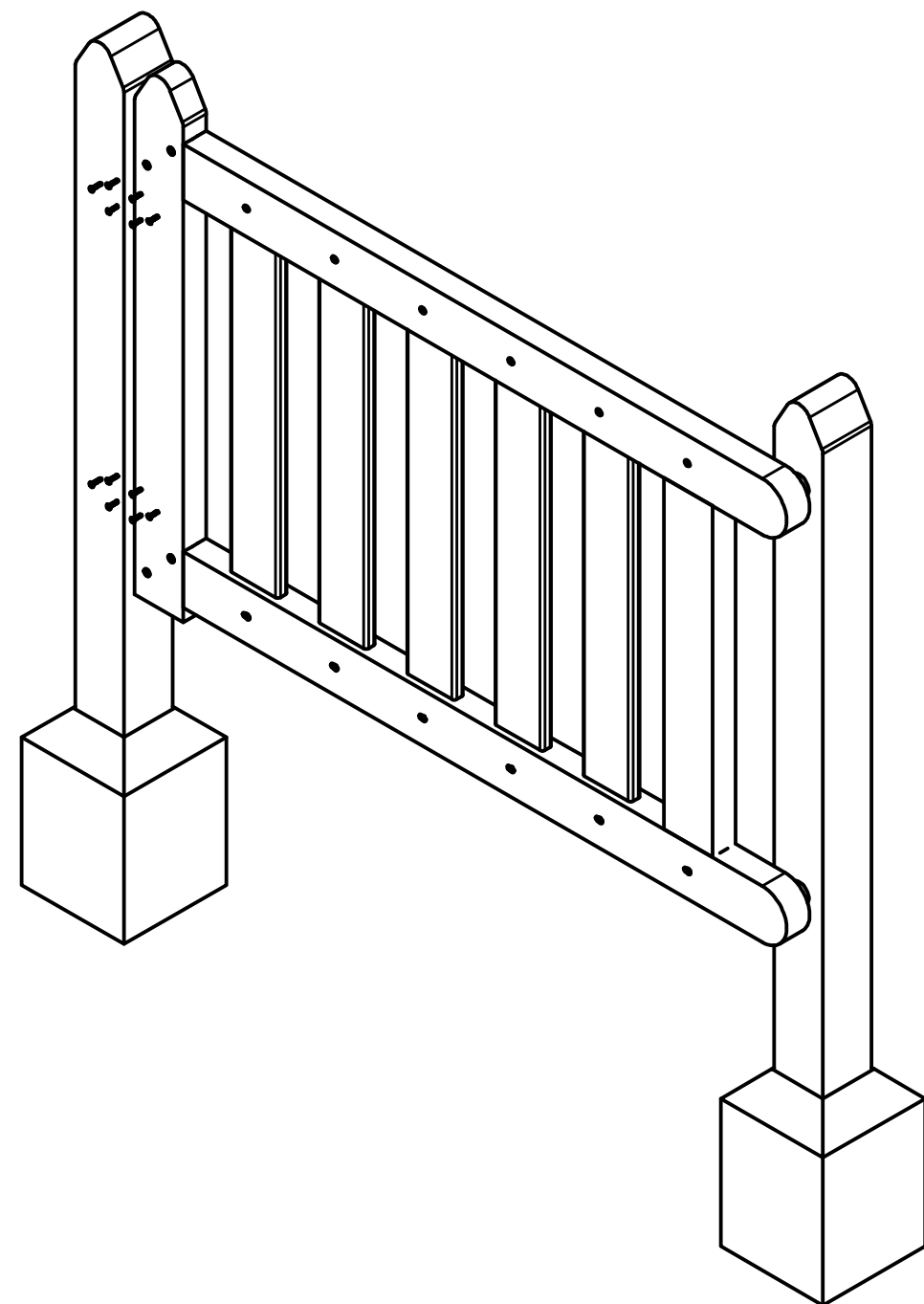


PARTS LIST

ITEM	QTY	PART NUMBER	STOCK NUMBER	DESCRIPTION
1	1	TB-200-667	COMTIMSAW0007	1M GATE PALE 900 X 95 X 45
2	2	TB-200-668	COMTIMSAW0022	1M GATE POST 1450 X 95 X 95
3	1	TB-200-669	COMTIMSAW0007	1M PLAYTIME GATE HORIZONTAL FRAME 1275 X 95 X 45
4	5	TB-200-670	COMTIMSAW0042	1M GATE PALE 735 X 95 X 20
5	1	TB-200-671	COMTIMSAW0007	1M PLAYTIME GATE VERTICAL FRAME 735 X 95 X 45
6	1	TB-200-672	COMTIMSAW0007	1M PLAYTIME GATE HORIZONTAL FRAME 1275 X 95 X 45
7	24		COMA2WS4X40	M4x40 Torx Woodscrew A2 Stainless Steel
8	4		COMA2WS6X40	M6x40 Torx Woodscrew A2 Stainless Steel
9	2		COMA2WS4X70	M4x70 Torx Woodscrew A2 Stainless Steel
10	2		COMHARHIN0013	Self Closing Wooden Gate Hinge
11	2		COMRUB0006	Rubber Gate Bumper
12	2			0.012 ³ Concrete Foundation 200 x 200 x 300



UNLESS OTHERWISE SPECIFIED:
DIMENSIONS ARE IN MILLIMETERS
TOLERANCES:
LINEAR: ±2MM
1 DECIMAL PLACE: ±0.5MM
ANGULAR: ±1°

PROPRIETARY AND CONFIDENTIAL

THE INFORMATION CONTAINED IN THIS DRAWING IS THE SOLE PROPERTY OF FENLAND LEISURE PRODUCTS. ANY REPRODUCTION IN PART OR AS A WHOLE WITHOUT THE WRITTEN PERMISSION OF FENLAND LEISURE PRODUCTS IS PROHIBITED.

Title: PRO-500-145

Product Range: Playground Gates

CFH N/A

Date:
20/01/2020

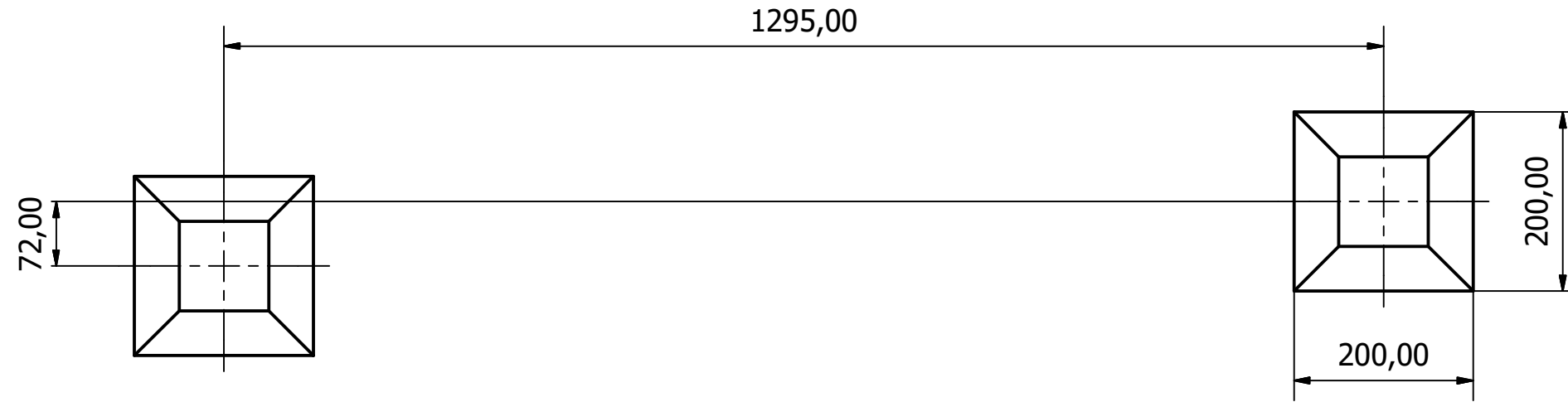
Page:

A3

DO NOT SCALE FROM DRAWING

Tel: 01354 638359 Fax: 01354 638464 www.fenandleisure.co.uk

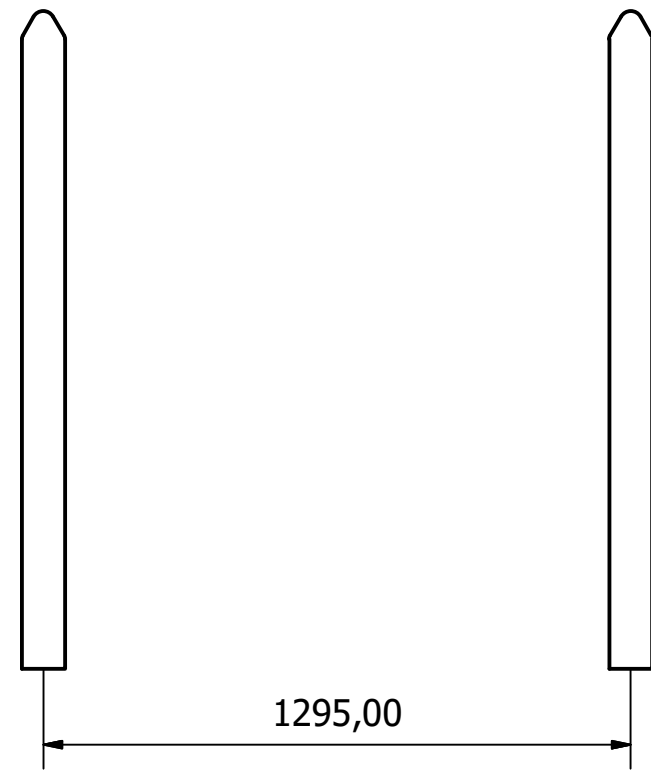




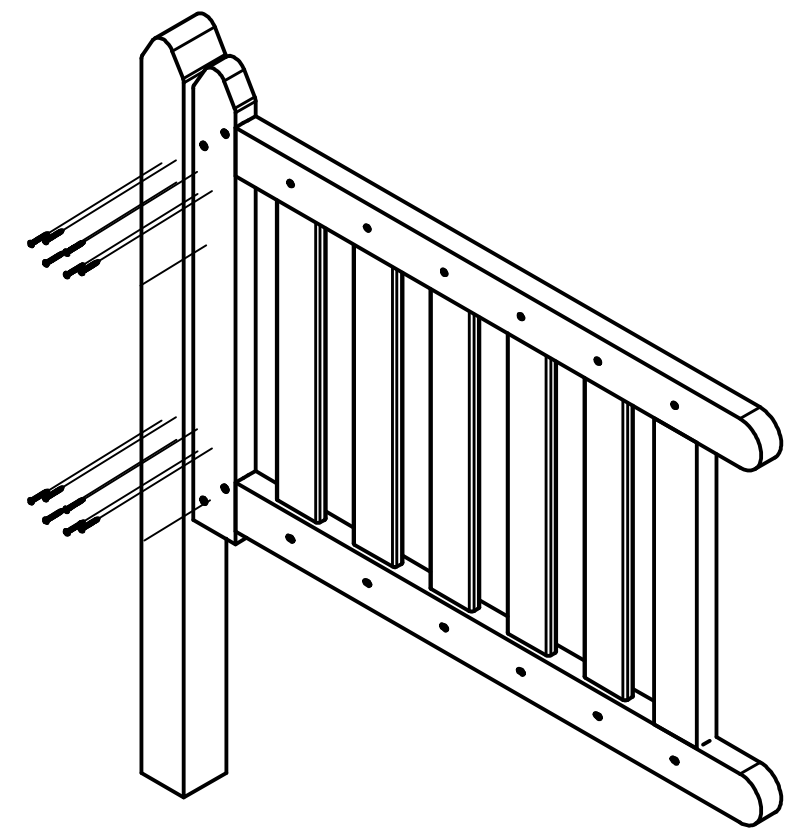
UNLESS OTHERWISE SPECIFIED: DIMENSIONS ARE IN MILLIMETERS TOLERANCES: LINEAR: ±2MM 1 DECIMAL PLACE: ±0.5MM ANGULAR: ±1°	PROPRIETARY AND CONFIDENTIAL THE INFORMATION CONTAINED IN THIS DRAWING IS THE SOLE PROPERTY OF FENLAND LEISURE PRODUCTS. ANY REPRODUCTION IN PART OR AS A WHOLE WITHOUT THE WRITTEN PERMISSION OF FENLAND LEISURE PRODUCTS IS PROHIBITED.	Title: PRO-500-145	
		Product Range: Playground Gates	
		Date: 20/01/2020	
		Page: A3	
		DO NOT SCALE FROM DRAWING	
Tel: 01354 638359 Fax: 01354 638464 www.fenandleisure.co.uk			

ALL FOUNDATIONS 200 X 200 X 300 DEEP UNLESS OTHERWISE SPECIFIED

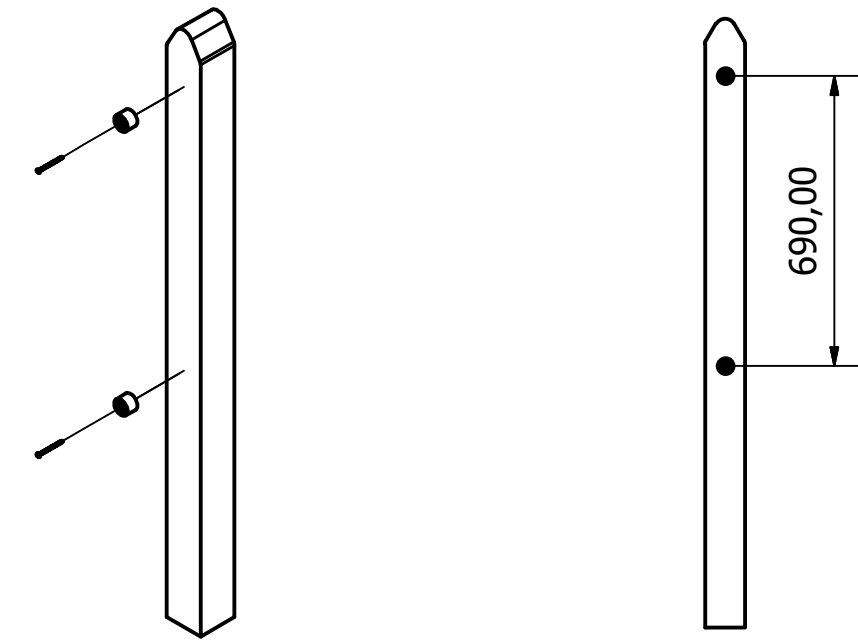
1. POSITION THE UPRIGHT POSTS IN THE HOLES AS ILLUSTRATED ON PAGE 2.



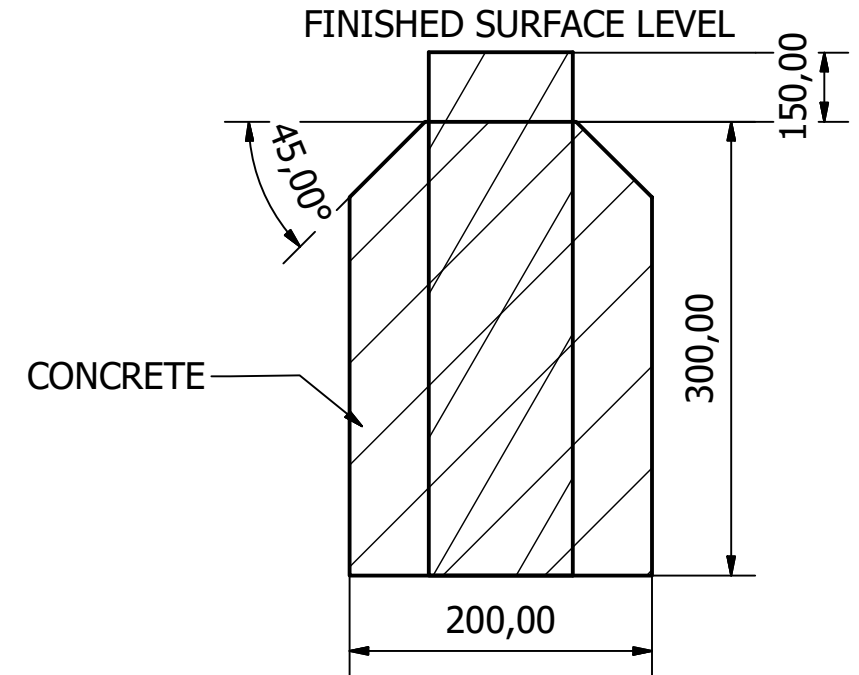
2. SECURE THE GATE TO THE UPRIGHT POSTS AS ILLUSTRATED BELOW USING THE FIXINGS AND HINGES PROVIDED. ENSURE THE GATE IS ABLE TO OPEN FULLY WITHOUT CATCHING THE GROUND AND THAT IT IS ABLE TO SELF-CLOSE.



3. ONCE THE GATE IS SECURED TO THE POST AND ABLE TO OPEN AND CLOSE FREELY, SECURE THE RUBBER BUMPERS TO THE POST WHERE THE GATE CLOSURES TO. ENSURE THAT THE FIXINGS ARE NOT PROUD AND THE GATE ONLY CONTACTS THE RUBBER.



4. FINALLY, ENSURE UNIT IS LEVEL AND PLUMB, ALL FIXINGS HAVE BEEN TIGHTENED AND PROTECTIVE CAPS IN PLACE. ADD CONCRETE TO EACH FOUNDATION HOLE AND LEAVE FOR 48 HOURS



UNLESS OTHERWISE SPECIFIED: DIMENSIONS ARE IN MILLIMETERS TOLERANCES: LINEAR: ±2MM 1 DECIMAL PLACE: ±0.5MM ANGULAR: ±1°	PROPRIETARY AND CONFIDENTIAL THE INFORMATION CONTAINED IN THIS DRAWING IS THE SOLE PROPERTY OF FENLAND LEISURE PRODUCTS. ANY REPRODUCTION IN PART OR AS A WHOLE WITHOUT THE WRITTEN PERMISSION OF FENLAND LEISURE PRODUCTS IS PROHIBITED.	Title: PRO-500-145	
		Product Range: Playground Gates	
		Date: 20/01/2020	
		Page: A3	
		DO NOT SCALE FROM DRAWING	
		Tel: 01354 638359 Fax: 01354 638464 www.fenandleisure.co.uk	