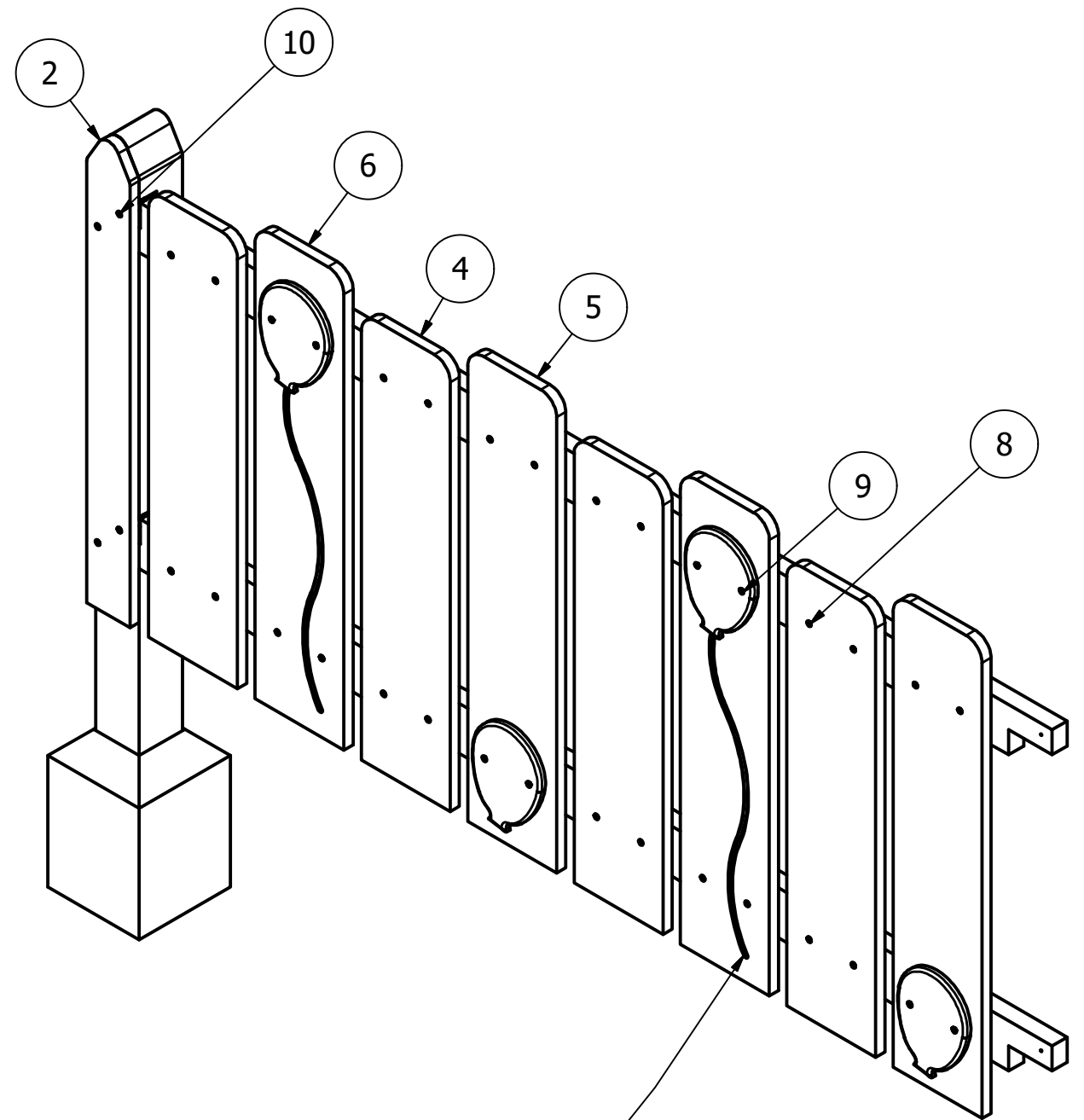
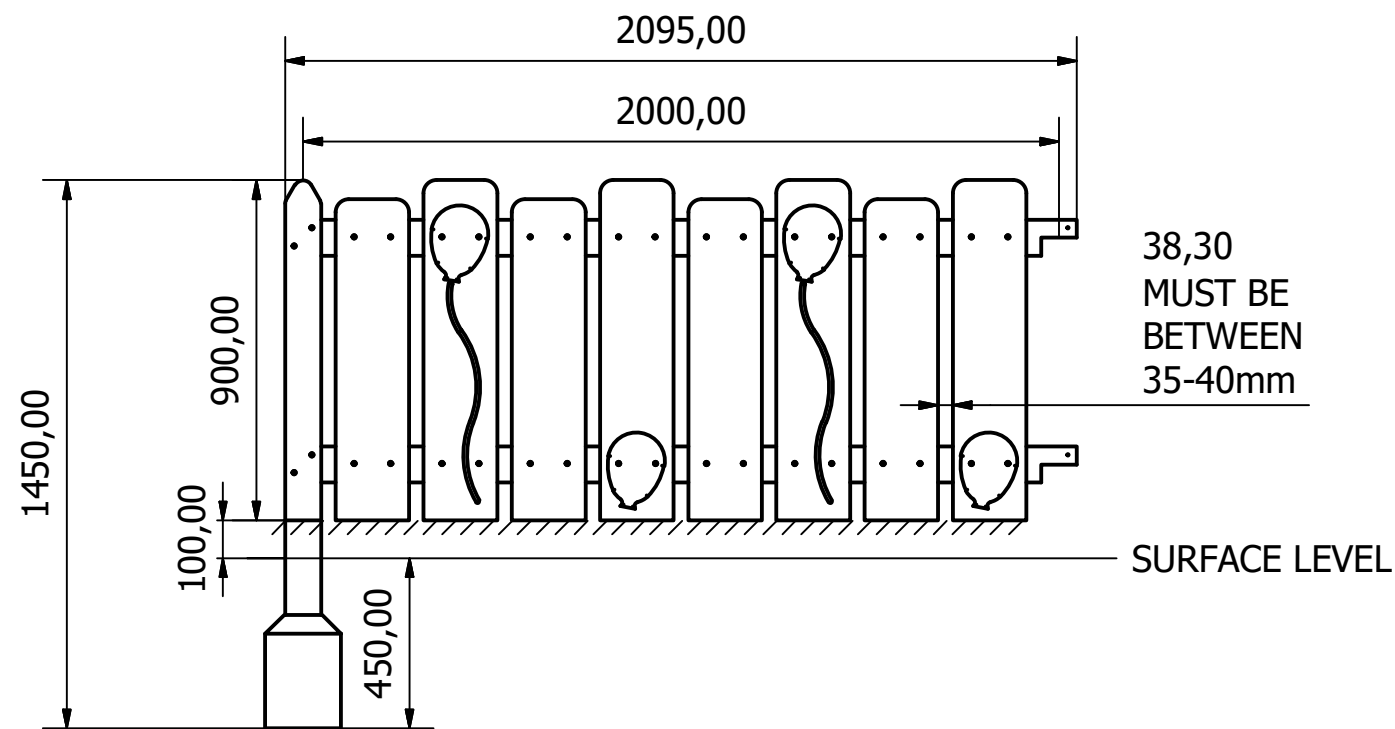



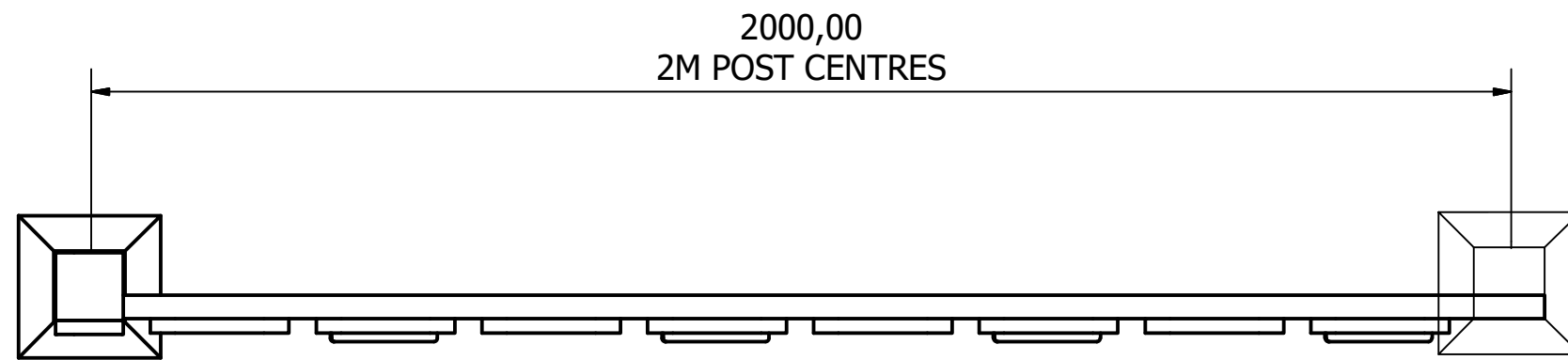
PARTS LIST				
ITEM	QTY	PART NUMBER	STOCK NUMBER	DESCRIPTION
1	1	TB-200-655	COMTIMSAW0022	1M Fence Post 1450x95x95
2	1	TB-200-656	COMTIMSAW0042	1M Fence Pale 900x20x95mm
3	2	TB-200-657	COMTIMSAW0046	Fence Rail (2M Post Centres) 2095x95x33
4	4	TB-200-662	COMTIMSAW0023	1M Balloon Fence Pale 850x195x20
5	2	TB-200-663	COMTIMSAW0023	1M Balloon Fence Pale Long 900x195x20
6	2	TB-200-666	COMTIMSAW0023	1M Balloon Pale Long Engraved 900x195x20
7	4	PE-400-100	COMPOL0006/7/8/9/22	HDPE 12.5mm (Random Colour Offcuts)
8	24		COMA2WS4X40	M4x40 Torx Woodscrew A2 Stainless Steel
9	8		COMA2WS4x50	M4x50 Torx Woodscrew A2 Stainless Steel
10	4		COMA2WS4X70	M4x70 Torx Woodscrew A2 Stainless Steel
11	1			0.012 ³ Concrete Foundation 200 x 200 x 300



BALLOON STRINGS REQUIRE STAINING BLACK



UNLESS OTHERWISE SPECIFIED: DIMENSIONS ARE IN MILLIMETERS TOLERANCES: LINEAR: ±2MM 1 DECIMAL PLACE: ±0.5MM ANGULAR: ±1°	PROPRIETARY AND CONFIDENTIAL THE INFORMATION CONTAINED IN THIS DRAWING IS THE SOLE PROPERTY OF FENLAND LEISURE PRODUCTS. ANY REPRODUCTION IN PART OR AS A WHOLE WITHOUT THE WRITTEN PERMISSION OF FENLAND LEISURE PRODUCTS IS PROHIBITED.	Title: PRO-500-144	
		Product Range: Fencing	
		CFH N/A	Date: 14/01/2020
		DO NOT SCALE FROM DRAWING	Page: A3
Tel: 01354 638359 Fax: 01354 638464 www.fenandleisure.co.uk			



UNLESS OTHERWISE SPECIFIED:
DIMENSIONS ARE IN MILLIMETERS
TOLERANCES:
LINEAR: ±2MM
1 DECIMAL PLACE: ±0.5MM
ANGULAR: ±1°

PROPRIETARY AND CONFIDENTIAL
THE INFORMATION CONTAINED IN THIS
DRAWING IS THE SOLE PROPERTY OF
FENLAND LEISURE PRODUCTS. ANY
REPRODUCTION IN PART OR AS A WHOLE
WITHOUT THE WRITTEN PERMISSION
OF FENLAND
LEISURE PRODUCTS IS PROHIBITED.

Title: PRO-500-144

Product Range: Fencing

Date:
14/01/2020

Page:

A3

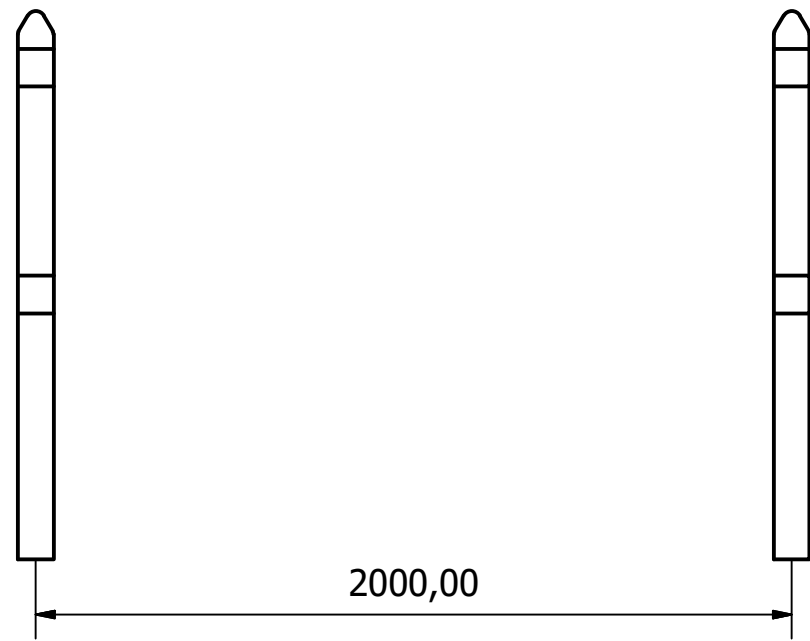
DO NOT SCALE FROM DRAWING

Tel: 01354 638359 Fax: 01354 638464 www.fenandleisure.co.uk

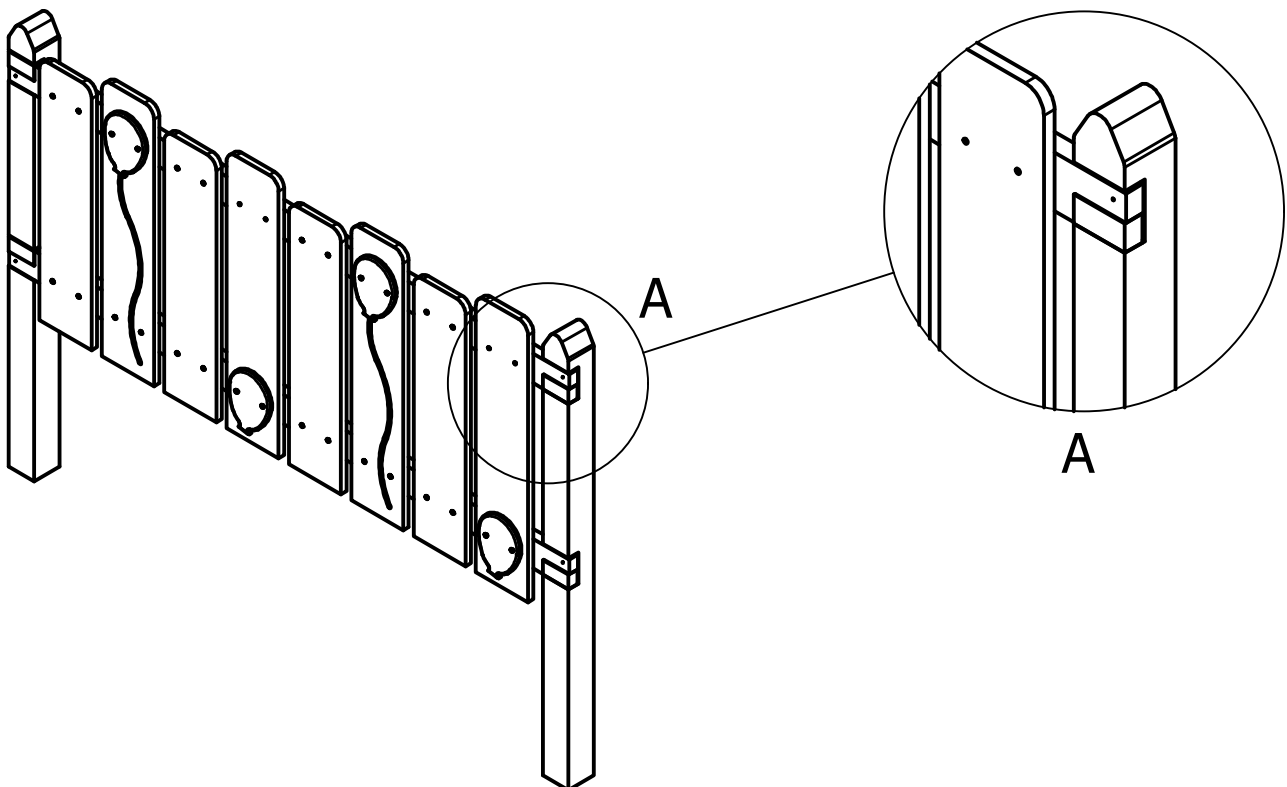


ALL FOUNDATIONS 200 X 200 X 300 DEEP UNLESS OTHERWISE SPECIFIED

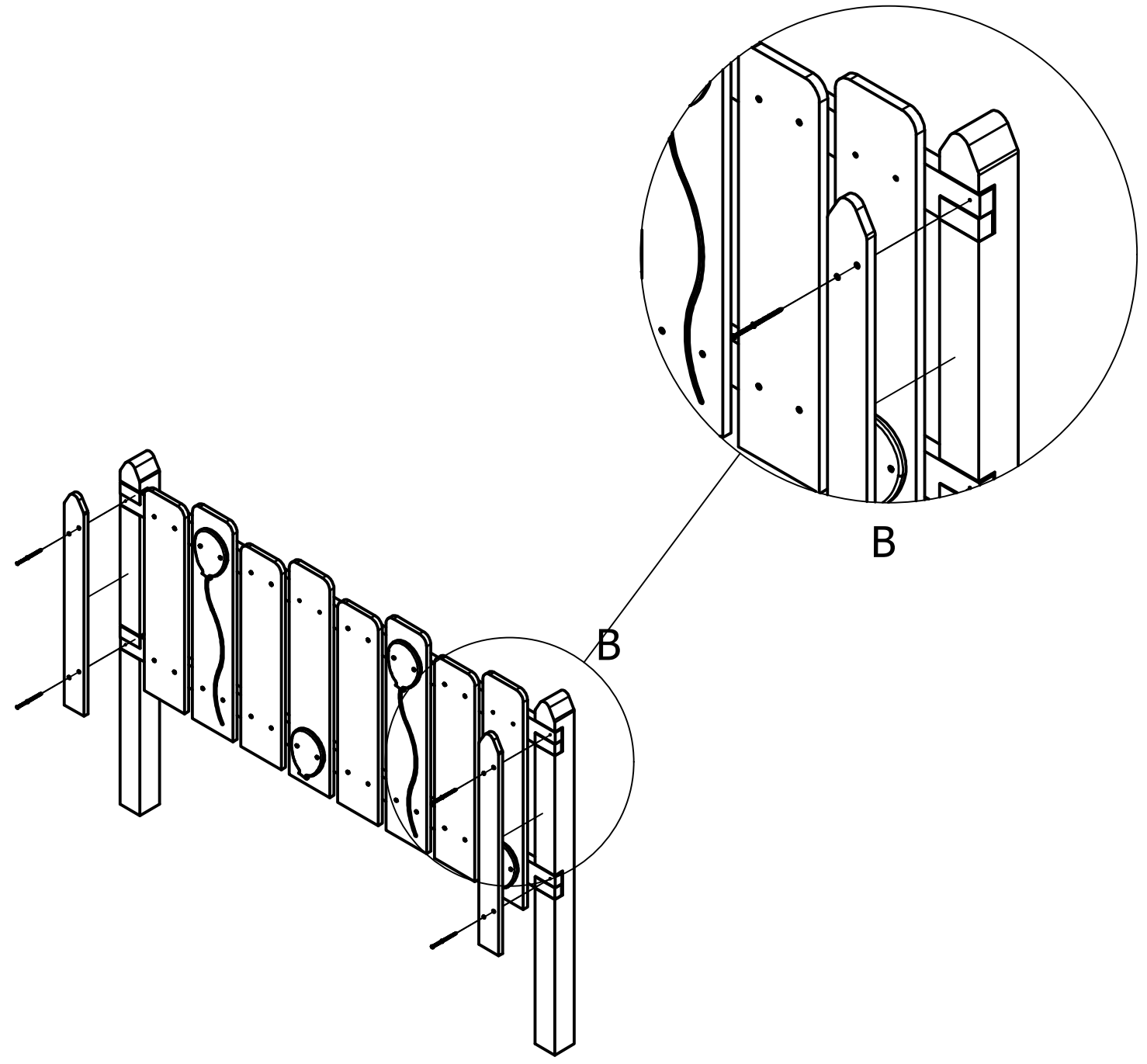
1. POSITION THE POSTS IN THE FOUNDATION HOLES AS ILLUSTRATED BELOW. ONE POST INCLUDED IN EACH PANEL. EACH PANEL WILL CONNECT TO THE NEXT. WHEN INSTALLING AN END PANEL THE POST WILL BE FROM THE INCLUDED MODULE.



2. USING THE RAIL WEDGE BLOCKS AS SUPPORT MOVE THE FENCE PANEL INTO POSITION, ENSURE THE END OF THE RAIL IS FLUSH WITH BOTH ENDS OF THE POST.

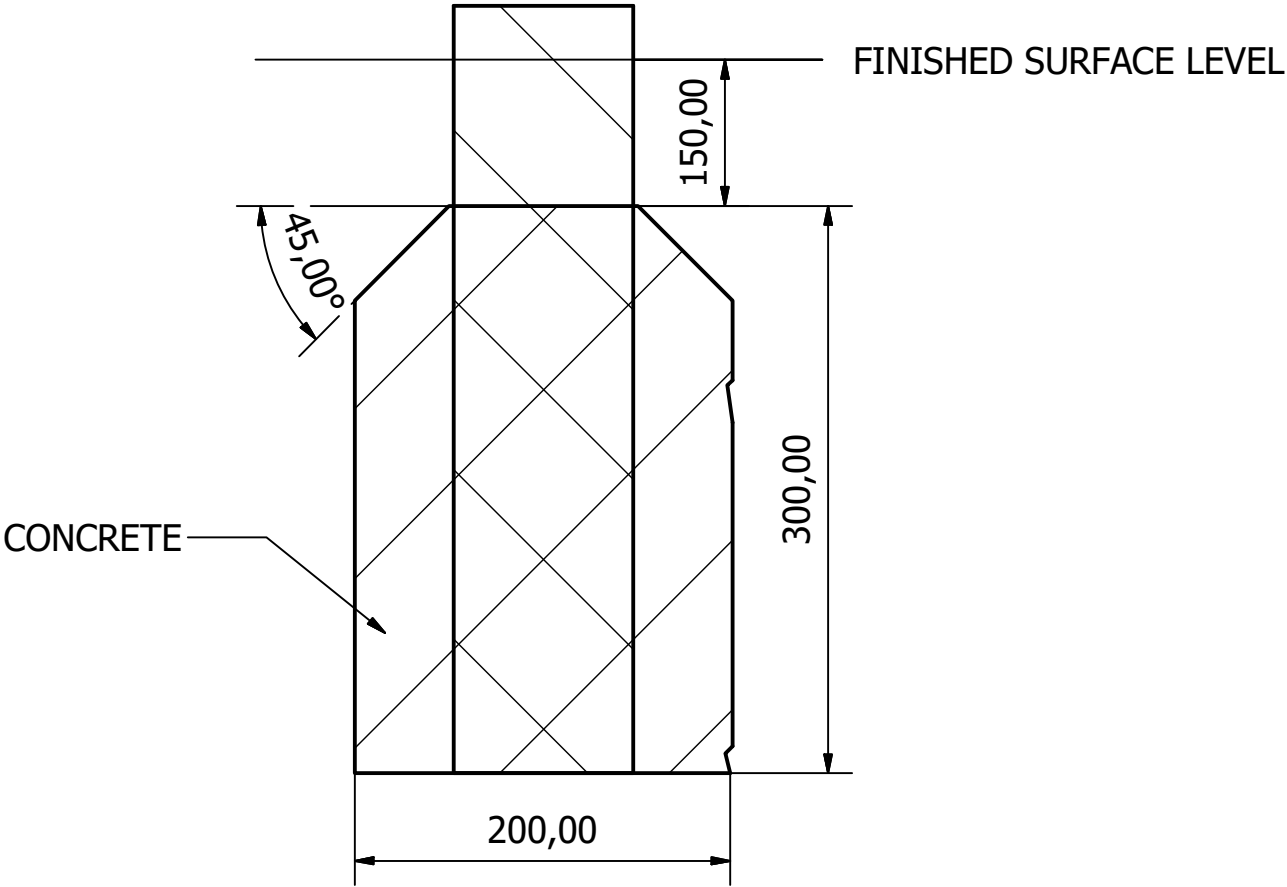


3. WITH THE FENCE PANEL CORRECTLY PLACED SECURE THE PANEL USING THE POST PALES AND FIXINGS PROVIDED. ENSURE THAT THE POSTS STAY IN POSITION WHILE THE PANEL IS BEING SECURED.



UNLESS OTHERWISE SPECIFIED: DIMENSIONS ARE IN MILLIMETERS TOLERANCES: LINEAR: ±2MM 1 DECIMAL PLACE: ±0.5MM ANGULAR: ±1°	PROPRIETARY AND CONFIDENTIAL THE INFORMATION CONTAINED IN THIS DRAWING IS THE SOLE PROPERTY OF FENLAND LEISURE PRODUCTS. ANY REPRODUCTION IN PART OR AS A WHOLE WITHOUT THE WRITTEN PERMISSION OF FENLAND LEISURE PRODUCTS IS PROHIBITED.	Title: PRO-500-144	
		Product Range: Fencing	
		Date: 14/01/2020	
		Page: A3	
		DO NOT SCALE FROM DRAWING	
Tel: 01354 638359 Fax: 01354 638464 www.fenandleisure.co.uk			

4. FINALLY, ENSURE UNIT IS LEVEL AND PLUMB, ALL FIXINGS HAVE BEEN TIGHTENED AND PROTECTIVE CAPS IN PLACE. ADD CONCRETE TO EACH FOUNDATION HOLE AND LEAVE FOR 48 HOURS



UNLESS OTHERWISE SPECIFIED: DIMENSIONS ARE IN MILLIMETERS TOLERANCES: LINEAR: ±2MM 1 DECIMAL PLACE: ±0.5MM ANGULAR: ±1°	PROPRIETARY AND CONFIDENTIAL THE INFORMATION CONTAINED IN THIS DRAWING IS THE SOLE PROPERTY OF FENLAND LEISURE PRODUCTS. ANY REPRODUCTION IN PART OR AS A WHOLE WITHOUT THE WRITTEN PERMISSION OF FENLAND LEISURE PRODUCTS IS PROHIBITED.	Title: PRO-500-144	
		Product Range: Fencing	
		Date: 14/01/2020	
		Page: A3	
		DO NOT SCALE FROM DRAWING	
		Tel: 01354 638359 Fax: 01354 638464 www.fenandleisure.co.uk	