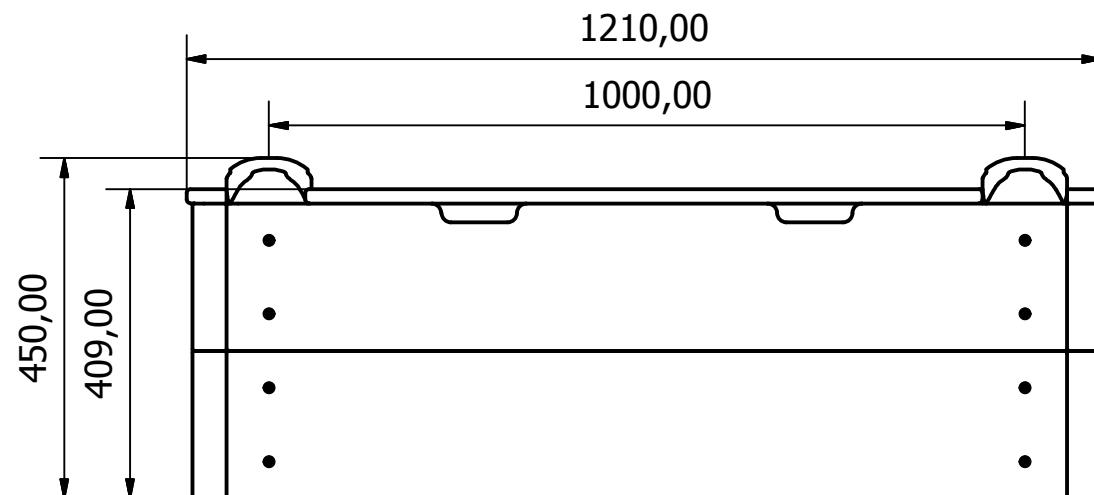
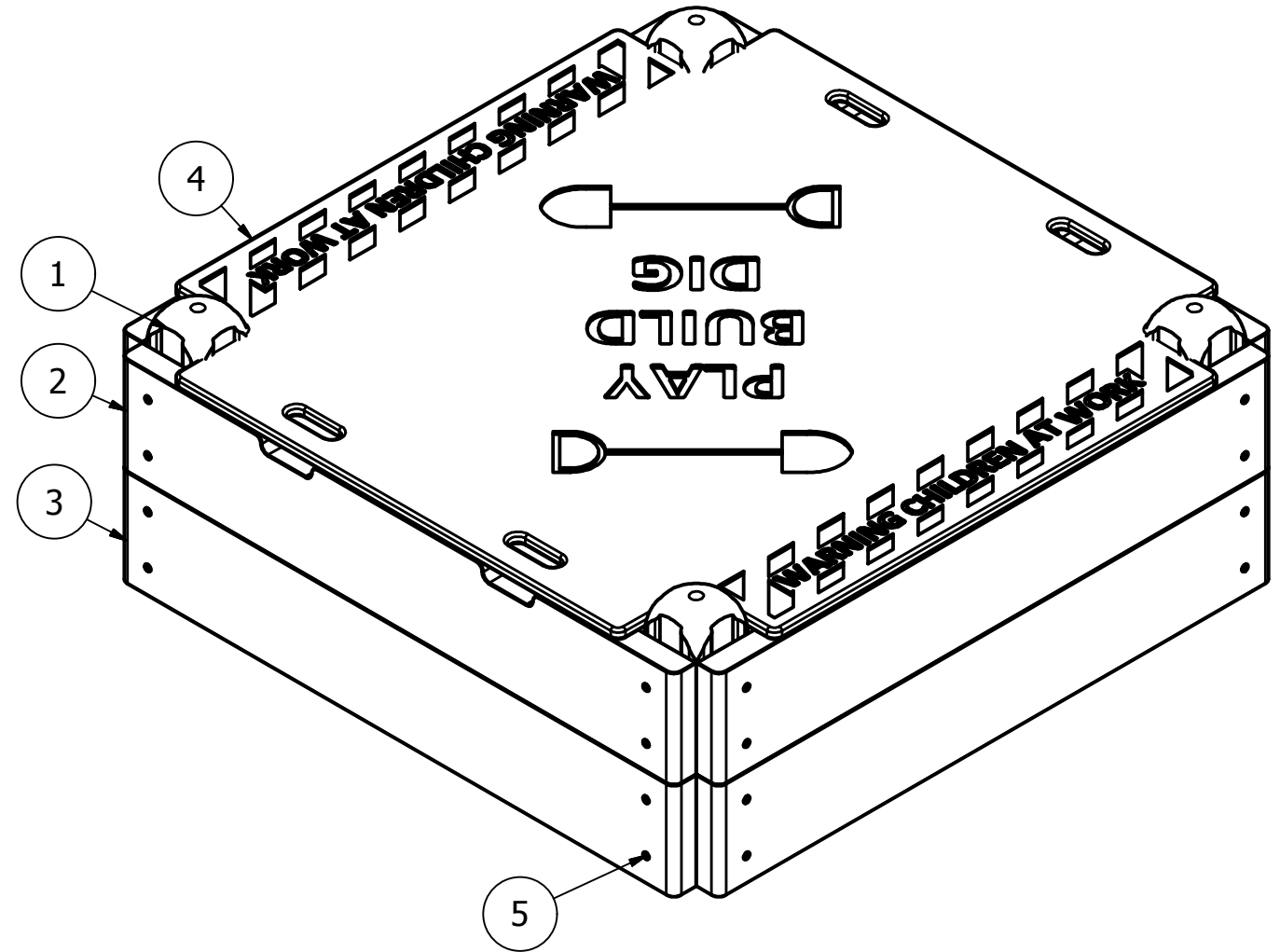


PARTS LIST				
ITEM	QTY	PART NUMBER	STOCK NUMBER	DESCRIPTION
1	4	TB-200-600	COMTIMSAF0002	450mm x112mm x 112mm Safalog
2	2	TB-200-601	COMTIMSAW0004	1112 X 195 X 45MM
3	6	TB-200-602	COMTIMSAW0004	1112 x 195 x 45mm
4	1	PE-400-084	COMPOL0035	HDPE BLUE/ WHITE/ BLUE 19MM
5	32		COMA2WS6X100	100MM TORX WOODSCREW
6	1			0.5m3 Play Fill

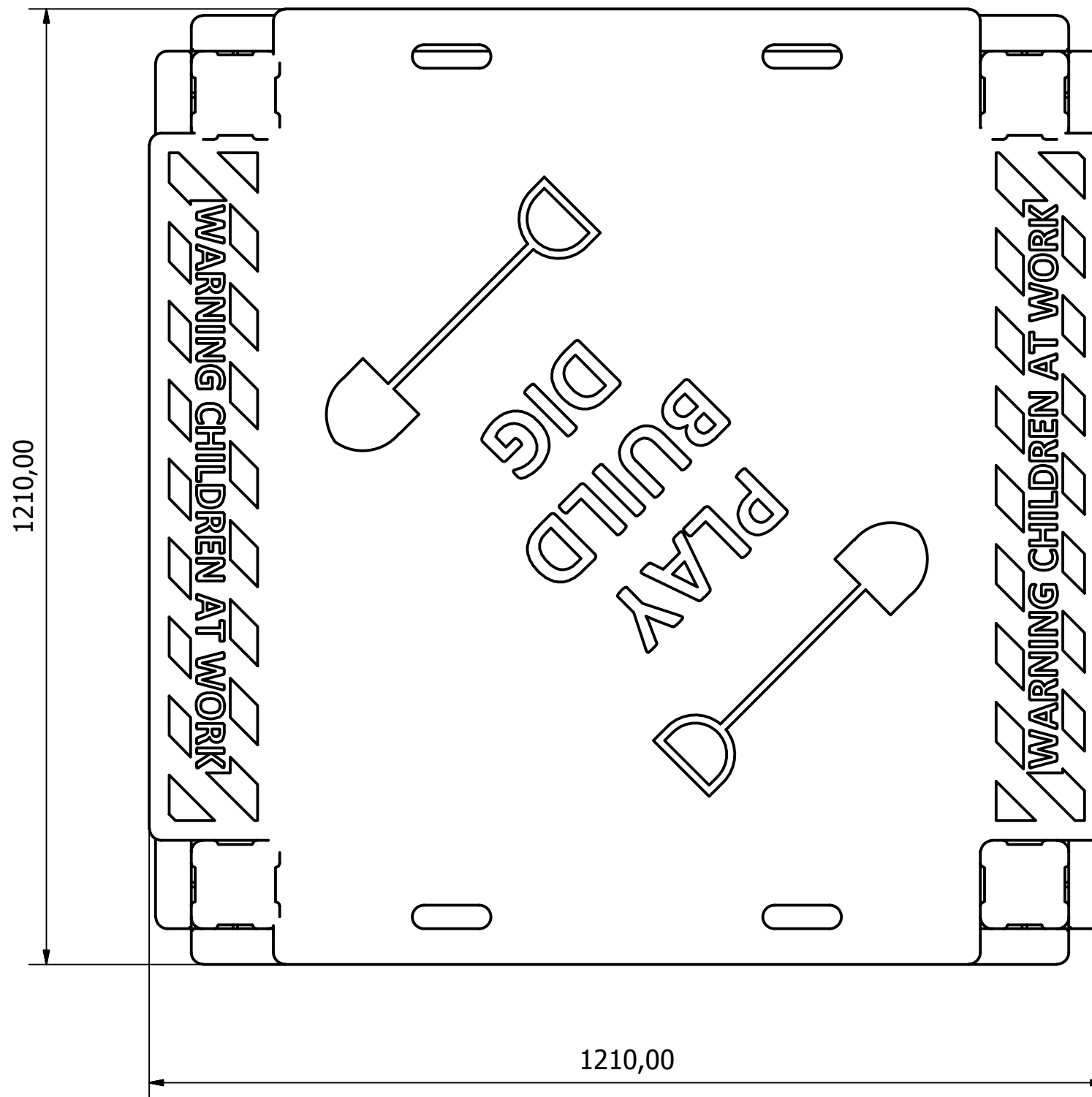


UNLESS OTHERWISE SPECIFIED:
DIMENSIONS ARE IN MILLIMETERS
TOLERANCES:
LINEAR: ±2MM
1 DECIMAL PLACE: ±0.5MM
ANGULAR: ±1°

PROPRIETARY AND CONFIDENTIAL
THE INFORMATION CONTAINED IN THIS
DRAWING IS THE SOLE PROPERTY OF
FENLAND LEISURE PRODUCTS. ANY
REPRODUCTION IN PART OR AS A WHOLE
WITHOUT THE WRITTEN PERMISSION
OF FENLAND
LEISURE PRODUCTS IS PROHIBITED.

Title: PRO-500-098 Mud Box		Date: 28/08/2019
Product Range: Playground Equipment		Page: A3
DO NOT SCALE FROM DRAWING		
Tel: 01354 638359 Fax: 01354 638464 www.fenandleisure.co.uk		





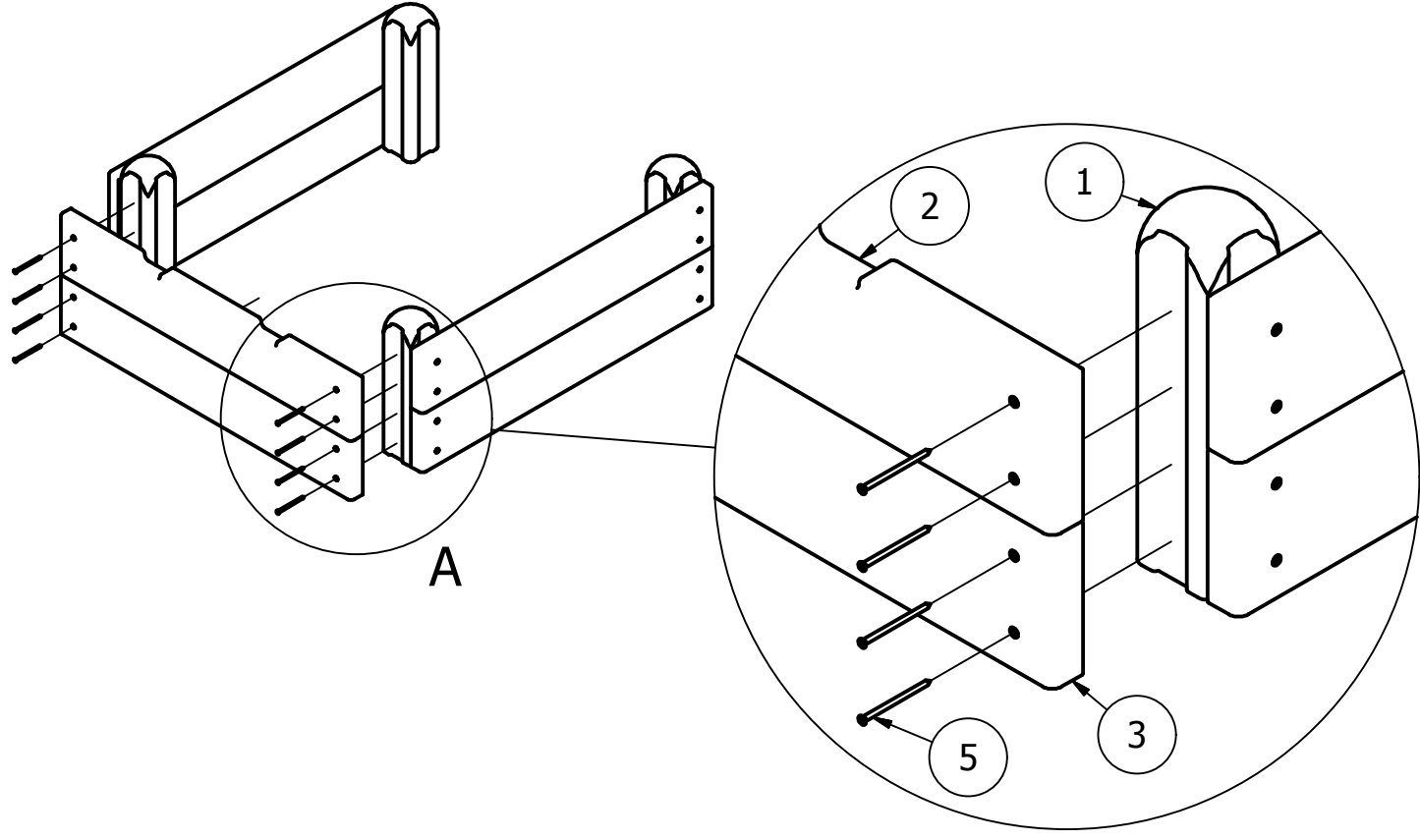
UNLESS OTHERWISE SPECIFIED:
DIMENSIONS ARE IN MILLIMETERS
TOLERANCES:
LINEAR: ±2MM
1 DECIMAL PLACE: ±0.5MM
ANGULAR: ±1°

PROPRIETARY AND CONFIDENTIAL
THE INFORMATION CONTAINED IN THIS
DRAWING IS THE SOLE PROPERTY OF
FENLAND LEISURE PRODUCTS. ANY
REPRODUCTION IN PART OR AS A WHOLE
WITHOUT THE WRITTEN PERMISSION
OF FENLAND
LEISURE PRODUCTS IS PROHIBITED.

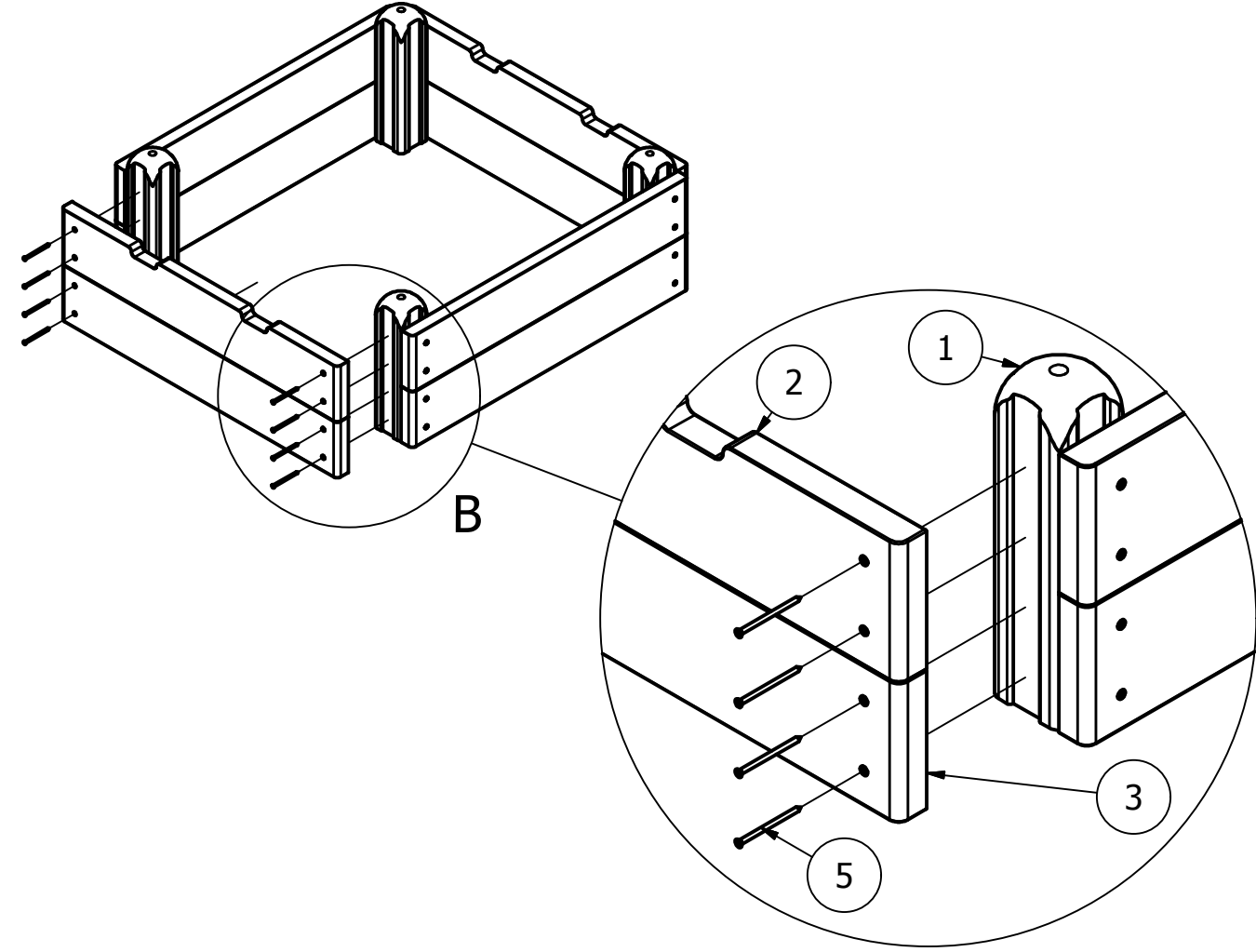


Title: PRO-500-098 Mud Box	
Product Range: Playground Equipment	
DO NOT SCALE FROM DRAWING	Date: 28/08/2019
	Page: A3
Tel: 01354 638359 Fax: 01354 638464 www.fenandleisure.co.uk	

1. SECURE THE SIDE HORIZONTAL TIMBERS TO THE SAFALOG POSTS USING THE FIXINGS PROVIDED AS ILLUSTRATED BELOW

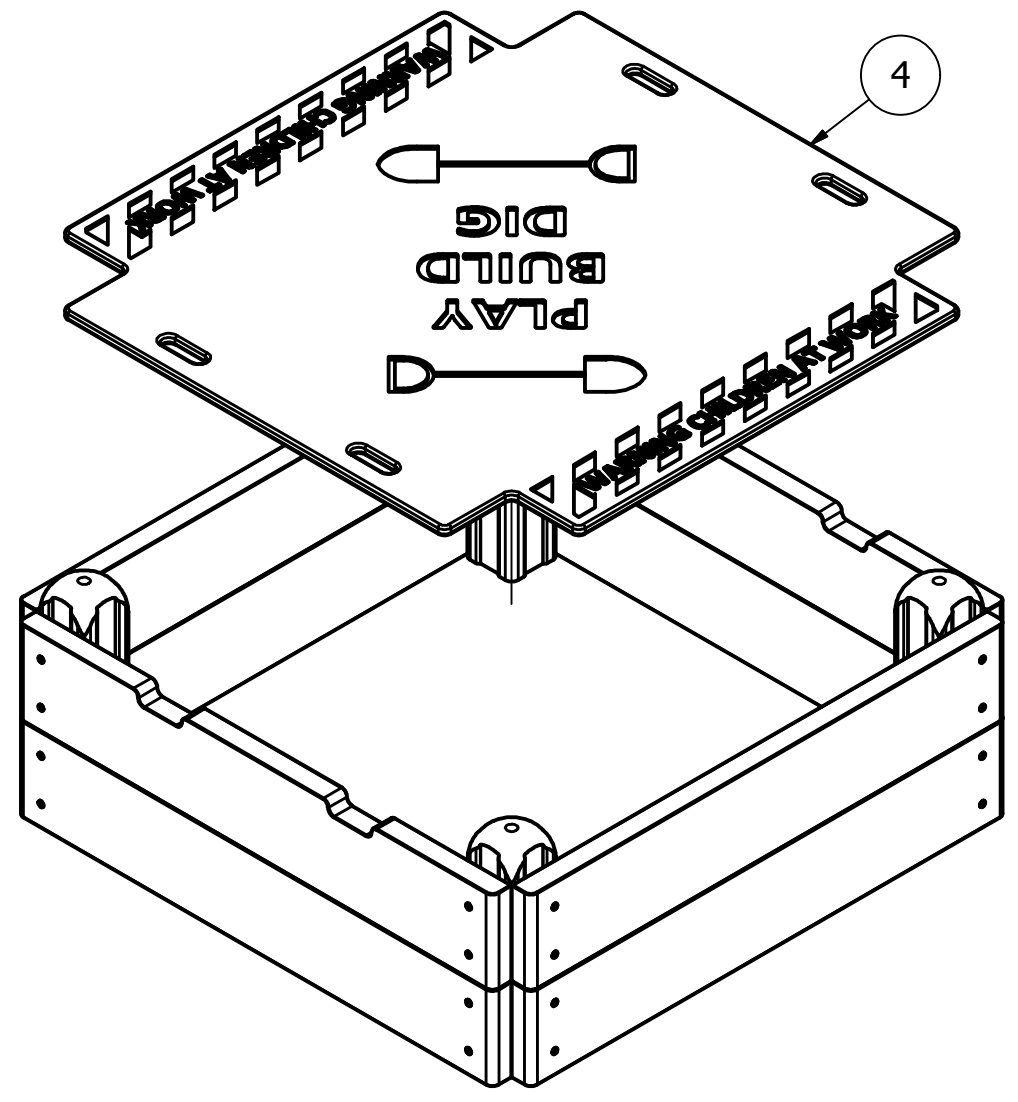


2. REPEAT STEP 1 ON THE OPPOSITE SITE TO CREATE THE MUD BOX FRAME.



3. FILL THE MUD BOX WITH THE PLAY SUBSTANCE SELECTED BY THE CLIENT E.G. SAND, SOIL.

4. FINALLY PLACE THE LID ONTO THE BOX AND MAKE GOOD ANY SPILLED SUBSTANCE.



UNLESS OTHERWISE SPECIFIED: DIMENSIONS ARE IN MILLIMETERS TOLERANCES: LINEAR: ±2MM 1 DECIMAL PLACE: ±0.5MM ANGULAR: ±1°	PROPRIETARY AND CONFIDENTIAL THE INFORMATION CONTAINED IN THIS DRAWING IS THE SOLE PROPERTY OF FENLAND LEISURE PRODUCTS. ANY REPRODUCTION IN PART OR AS A WHOLE WITHOUT THE WRITTEN PERMISSION OF FENLAND LEISURE PRODUCTS IS PROHIBITED.	Title: PRO-500-098 Mud Box	
		Product Range: Playground Equipment	
		Date: 28/08/2019	Page: A3
		DO NOT SCALE FROM DRAWING	
Tel: 01354 638359 Fax: 01354 638464 www.fenandleisure.co.uk			